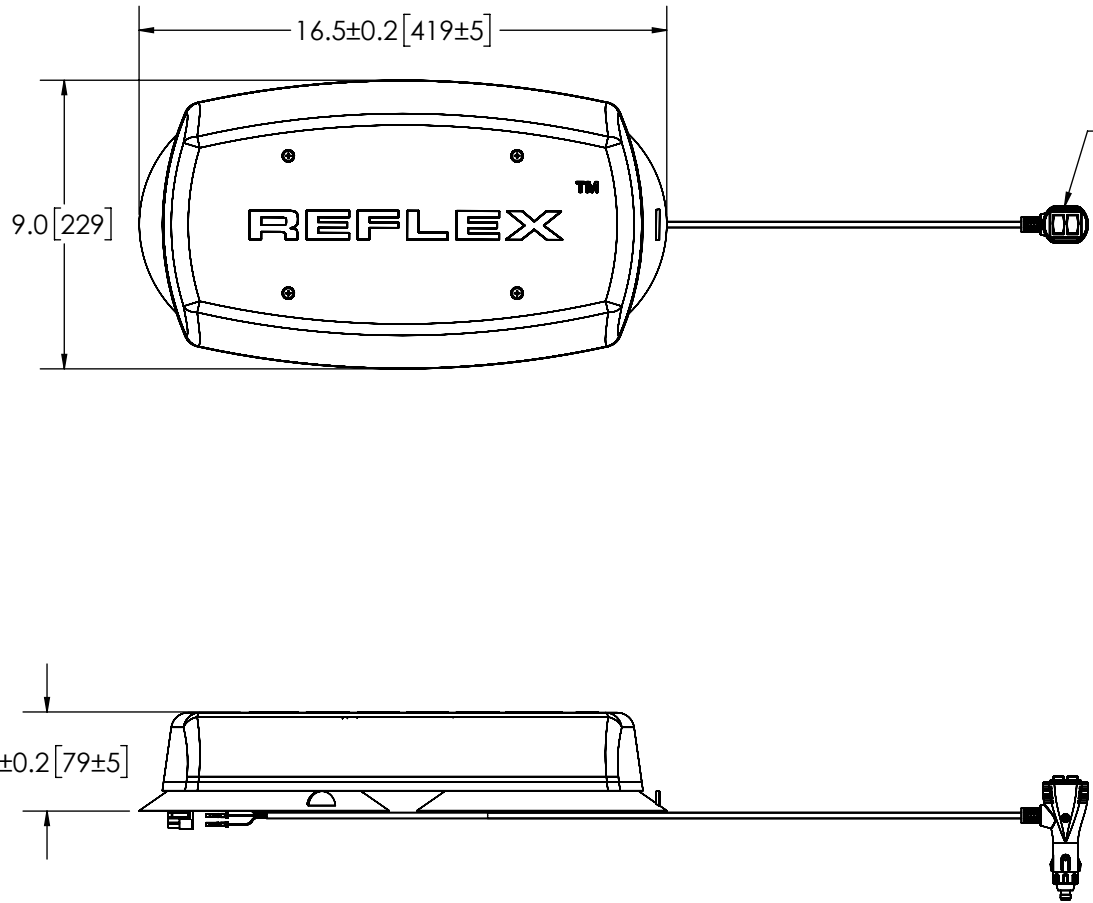


REVISION HISTORY		
REV.	DESCRIPTION	DATE
06	REVISED PER P11002	2013-07-16
A	INITIAL RELEASE PER P11002	2013-08-19
B	REVISED PER	2019-02-13



15'[4572] CORD W/DUAL SWITCH LIGHTER ADAPTER

### SPECIFICATIONS

- CERTIFICATIONS: **CE**; ECE R10; SEE CHART; IP-35C For a Category 2 Enclosure  
 Note: Unique components, accessories, and hardware kits are not typically included in the Product Certification Test Protocols. Unless otherwise Specified, the Product Certifications referred to herein are predicated upon the base product model configuration.
- FLASH MODE: DOUBLE : 75 ± 5 FLASHES PER MINUTE  
 QUAD : 75 ± 5 FLASHES PER MINUTE  
 QUINT : 75 ± 5 FLASHES PER MINUTE
- VOLTAGE (NOMINAL): 12 to 24 VDC
- VOLTAGE (EXTREME): 9.0 to 32.0 VDC
- CURRENT (PEAK): 6A (@ 12 VDC NOMINAL)
- POWER (MAXIMUM): 76.8W (@ 12 VDC NOMINAL)
- TEMPERATURE RANGE: -22°F (-30°C) TO 122°F (50°C)
- CONNECTION: 15' CORD W/DUAL SWITCH LIGHTER ADAPTER
- MOUNTING: VACUUM/MAGNET MOUNT
- BASE MATERIAL: POLYCARBONATE
- LENS MATERIAL: POLYCARBONATE
- PRODUCT WEIGHT: 5.7 LBS (2.57 Kg)

FGS PRODUCT CHART					
FGS. NO.	COLOR	CURRENT(PEAK)	POWER(MAX.)	SAE J845	CA. TITLE 13
5590CA-VM	YELLOW (AMBER)	6.00A	76.8W	CLASS 1	CLASS B
5590CB-VM	BLUE	5.56A	71.2W	CLASS 1	CLASS C
5590CC-VM	CLEAR	6.00A	76.8W	CLASS 1	N/A
5590CG-VM	GREEN	4.34A	55.6W	N/A	N/A
5590CR-VM	RED	7.1A	90.6W	CLASS 1	CLASS B

NOTES:  
 1. ROHS COMPLIANT  
 2. DIMENSIONS IN INCHES[MILLIMETERS (FOR REFERENCE)]

SCALE 1:6		APPROVALS	DATE			
CAD GENERATED DRAWING DO NOT MANUALLY UPDATE. MODEL REFERENCED: A		DRAWN BY	2017-04-19			
TOLERANCES ARE IN INCHES, AND MILLIMETERS TOLERANCES UNLESS OTHERWISE STATED ARE:		CHECKED ABD	2017-04-20			
MECH. ENG.						
MILLIMETERS DECIMALS XX. ± 1.0mm XX.X ± 0.5mm	INCHES DECIMALS X.X ± 0.1 X.XX ± 0.04 X.XXX ± 0.02	ANGLES ± 0.5°	ELEC. ENG.	<b>LED MINIBAR, 8 HEAD, 12-24VDC, C1, VM</b>		
	FRACTIONS ± 1/64	TEST ENG. JRT	2017-04-21			
THIRD ANGLE PROJECTION		SALES		CUSTOMER PART NO. <b>SEE CHART</b>	PRODUCT SERIES: <b>5500</b>	
				SIZE: A	DWG. NO. <b>5590CX-VM</b>	REV. <b>B</b>
NON DISCLOSURE AGREEMENT		Electronically Controlled Use Latest Copy		SHEET 1 OF 1	Project: P11002	Date Created: 2013-03-04

THIS DRAWING AND THE DESIGN IT DISCLOSES ARE THE PRIVATE PROPERTY OF ELECTRONIC CONTROLS CO. AND IS ISSUED IN CONFIDENCE FOR ENGINEERING INFORMATION ONLY. THE DRAWING AND / OR DESIGN MAY NOT BE USED, COPIED, REPRODUCED, OR OTHERWISE DISCLOSED IN PART OR AS A WHOLE TO OUTSIDERS OR USED FOR ANY OTHER PURPOSE WITHOUT THE PRIOR WRITTEN CONSENT OF ELECTRONIC CONTROLS CO. THE DRAWING IS SUBJECT TO RECALL AT ANY TIME. YOUR POSSESSION OF THIS DOCUMENT CONSTITUTES ACCEPTANCE OF THESE TERMS. © 2013 ELECTRONIC CONTROLS CO.