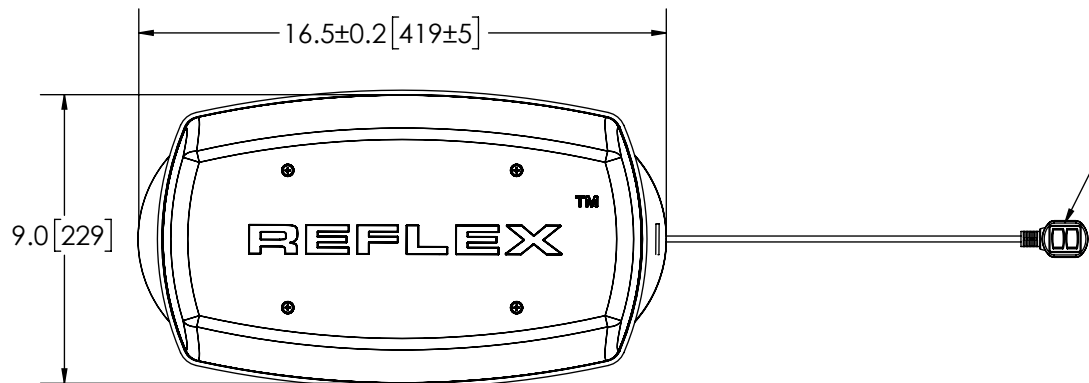


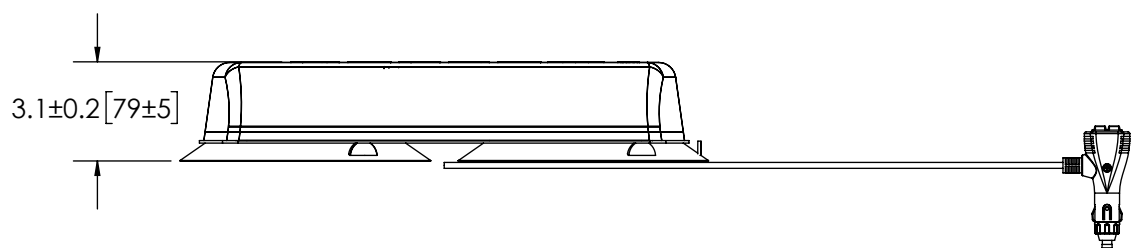
REVISION HISTORY		
REV.	DESCRIPTION	DATE
06	REVISED PER P11002	2013-06-26
A	INITIAL RELEASE PER P11002	2013-07-10
B	REVISED PER	2019-02-13



15' [4572] CORD W/DUAL SWITCH LIGHTER ADAPTOR

SPECIFICATIONS

- CERTIFICATIONS: **CE**; ECE R10; SEE CHART; IP-35D For a category 2 enclosure
 Note: Unique components, accessories, and hardware kits are not typically included in the Product Certification Test Protocols. Unless otherwise Specified, the Product Certifications referred to herein are predicated upon the base product model configuration.
- FLASH MODE: DOUBLE : 75 ± 5 FLASHES PER MINUTE
 QUAD : 75 ± 5 FLASHES PER MINUTE
 QUINT : 75 ± 5 FLASHES PER MINUTE
- VOLTAGE (NOMINAL): 12 to 24 VDC
- VOLTAGE (EXTREME): 9.0 to 32.0 VDC
- CURRENT (PEAK): 5.8A (@ 12 VDC NOMINAL)
- POWER (MAXIMUM): 74.0W (@ 12 VDC NOMINAL)
- TEMPERATURE RANGE: -22°F (-30°C) TO 122°F (50°C)
- CONNECTION: 15' CORD W/DUAL SWITCH LIGHTER ADAPTER
- MOUNTING: VACUUM/MAGNET MOUNT
- BASE MATERIAL: POLYCARBONATE
- LENS MATERIAL: POLYCARBONATE
- PRODUCT WEIGHT: 5.7 LBS (2.57 Kg)



COLOR CHART

FGS P/N	COLOR	CURRENT(PEAK)	POWER(MAX.)	SAE J845
5590CAB-VM	CLR/AMB/BLUE	5.8A	74.0W	CLASS 1 (YELLOW OR BLUE, SELECTIVE COVERAGE 180°)
5590CAC-VM	CLR/AMB/CLR	5.9A	75.9W	CLASS 1 (YELLOW OR CLEAR, SELECTIVE COVERAGE 180°)
5590CAG-VM	CLR/AMB/GRN	5.2A	66.2W	N/A
5590CAR-VM	CLR/AMB/RED	6.6A	83.7W	CLASS 1 (YELLOW OR RED, SELECTIVE COVERAGE 180°)
5590CCR-VM	CLR/CLR/RED	6.6A	83.7W	CLASS 1 (CLEAR OR RED, SELECTIVE COVERAGE 180°)
5590CRB-VM	CLR/RED/BLUE	5.0A	63.4W	CLASS 1 (RED OR BLUE, SELECTIVE COVERAGE 180°)

- NOTES:
 1. ROHS COMPLIANT
 2. DIMENSIONS IN INCHES [MILLIMETERS (FOR REFERENCE)]

SCALE 1:6		APPROVALS	DATE
CAD GENERATED DRAWING DO NOT MANUALLY UPDATE. MODEL REFERENCED: A		DRAWN BY	2017-04-12
TOLERANCES ARE IN INCHES, AND MILLIMETERS TOLERANCES UNLESS OTHERWISE STATED ARE:		CHECKED ABD	2017-04-13
MILLIMETERS DECIMALS	INCHES DECIMALS	MECH. ENG.	
XX. ± 1.0mm	X.X ± 0.1	ELEC. ENG.	
XX.X ± 0.5mm	X.XX ± 0.04	TEST ENG. JRT	
	X.XXX ± 0.02	2017-04-14	
	ANGLES ± 0.5°	SALES	
	FRACTIONS ± 1/64		
THIRD ANGLE PROJECTION			



LED MINIBAR, 8 HEAD, 12-24VDC, C1, VM

CUSTOMER PART NO. SEE CHART		PRODUCT SERIES: 5500	
SIZE: A	DWG. NO. 5590CXX-VM	REV. B	
Electronically Controlled Use Latest Copy		SHEET 1 OF 1	Project: P11002 Date Created: 2013-01-15

THIS DRAWING AND THE DESIGN IT DISCLOSES ARE THE PRIVATE PROPERTY OF ELECTRONIC CONTROLS CO. AND IS ISSUED IN CONFIDENCE FOR ENGINEERING INFORMATION ONLY. THE DRAWING AND / OR DESIGN MAY NOT BE USED, COPIED, REPRODUCED, OR OTHERWISE DISCLOSED IN PART OR AS A WHOLE TO OUTSIDERS OR USED FOR ANY OTHER PURPOSE WITHOUT THE PRIOR WRITTEN CONSENT OF ELECTRONIC CONTROLS CO. THE DRAWING IS SUBJECT TO RECALL AT ANY TIME. YOUR POSSESSION OF THIS DOCUMENT CONSTITUTES ACCEPTANCE OF THESE TERMS. © 2013 ELECTRONIC CONTROLS CO.