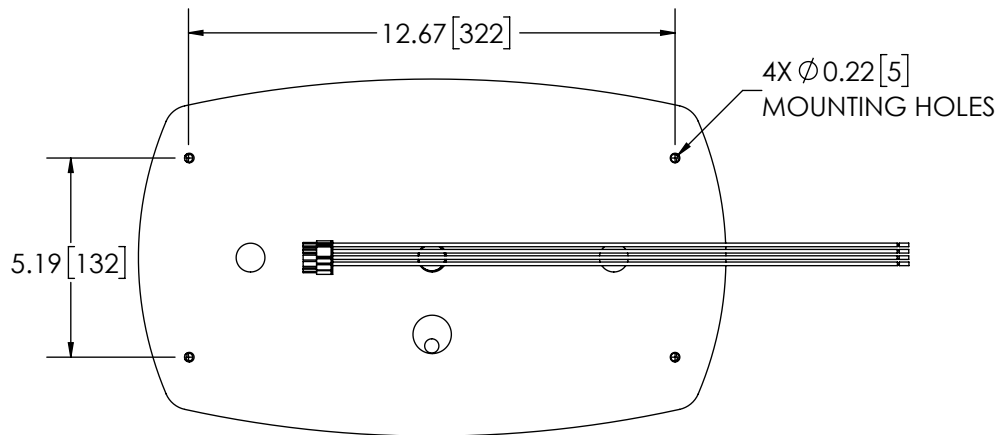
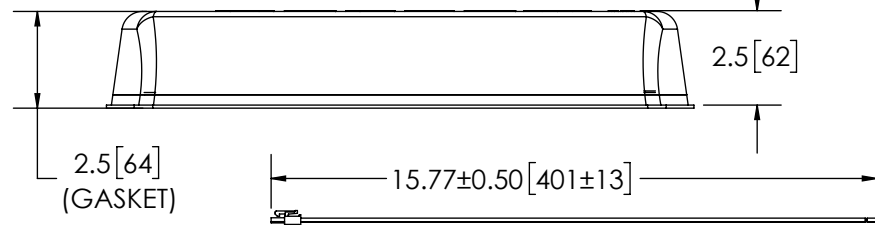


REVISION HISTORY		
REV.	DESCRIPTION	DATE
A	INITIAL RELEASE PER EL0045	2016-02-19
B	REVISE PER EC4490	2017-04-14
C	REVISED PER EC6001	2020-09-08

4-16 AWG WIRES
 RED - POSITIVE (+)
 BLACK - NEGATIVE (-)
 YELLOW - PATTERN SET
 BLUE - SYNC

SPECIFICATIONS

- CERTIFICATIONS: **CE**; ECE R10; SAE J845 (JUN 2013); CLASS 1 YELLOW; C-Tick; IP69K
 Note: Unique components, accessories, and hardware kits are not typically included in the Product Certification Test Protocols. Unless otherwise Specified, the Product Certifications referred to herein are predicated upon the base product model configuration.
- FLASH MODE: DOUBLE : 75 ± 5 FLASHES PER MINUTE
 QUAD : 75 ± 5 FLASHES PER MINUTE
 QUINT : 75 ± 5 FLASHES PER MINUTE
- VOLTAGE (NOMINAL): 12 to 24 VDC
- VOLTAGE (EXTREME): 9.0 to 32.0 VDC
- CURRENT (PEAK): 4.6A (@ 12 VDC NOMINAL)
- POWER (MAXIMUM): 58.9W (@ 12 VDC NOMINAL)
- TEMPERATURE RANGE: -22°F (-30°C) TO 122°F (50°C)
- CONNECTION: 4-16 AWG WIRES
- MOUNTING: 4 BOLT MOUNT KIT
- BASE MATERIAL: POLYCARBONATE
- LENS MATERIAL: POLYCARBONATE
- PRODUCT WEIGHT: 2.65 LBS (1.19 Kg)



- NOTES:
 1. ROHS COMPLIANT
 2. DIMENSIONS IN INCHES [MILLIMETERS (FOR REFERENCE)]

PROPRIETARY AND CONFIDENTIAL INFORMATION

THIS DRAWING AND THE DESIGN AND OTHER INFORMATION DISCLOSED HEREIN ARE THE PROPERTY OF ELECTRONIC CONTROLS COMPANY AND/OR ITS ECCO SAFETY GROUP AFFILIATES ("ECCO") AND IS ISSUED IN CONFIDENCE TO RECIPIENT FOR ENGINEERING INFORMATION PURPOSES ONLY. THIS DRAWING AND THE DESIGN AND OTHER INFORMATION DISCLOSED HEREIN MAY NOT BE USED, COPIED, REPRODUCED OR OTHERWISE DISCLOSED IN PART OR IN WHOLE TO THIRD PARTIES OR USED FOR ANY OTHER PURPOSE WITHOUT PRIOR ECCO WRITTEN CONSENT. ECCO RESERVES ALL PATENT, COPYRIGHT, TRADEMARK AND OTHER PROPRIETARY RIGHTS TO THIS DOCUMENT, INCLUDING ALL DESIGN, MANUFACTURING, REPRODUCTION, USE AND SALES RIGHTS THERETO. THIS DRAWING IS SUBJECT TO RECALL BY ECCO AT ANY TIME, AND YOUR POSSESSION AND/OR USE CONSTITUTES ACCEPTANCE OF THESE TERMS. ©2016 ELECTRONIC CONTROLS COMPANY

SCALE 1:5		APPROVALS	DATE
CAD GENERATED DRAWING DO NOT MANUALLY UPDATE. MODEL REFERENCED: A		DRAWN BY ABD	2020-08-10
		CHECKED MDH	2020-08-11
TOLERANCES ARE IN INCHES AND MILLIMETERS TOLERANCES UNLESS OTHERWISE STATED ARE:		MECH. ENG.	
MILLIMETERS DECIMALS XX. ± 1.0mm XX.X ± 0.5mm	INCHES DECIMALS X.X ± 0.1 X.XX ± 0.04 X.XXX ± 0.02	ELEC. ENG. JES	2020-08-11
	ANGLES ± 0.5° FRACTIONS ± 1/64	TEST ENG. JRT	2020-08-14
		THIRD ANGLE PROJECTION	
		SALES. ARS	2020-08-11



LED MINIBAR, 8 HEAD, PM, 12-24VDC, AMB, C1

CUSTOMER PART NO.
5587A

SIZE: A	DWG. NO. 5587A	REV. C
Electronically Controlled Use Latest Copy		
SHEET 1 OF 1	Project: EL0045	Date Created: 2016-02-03