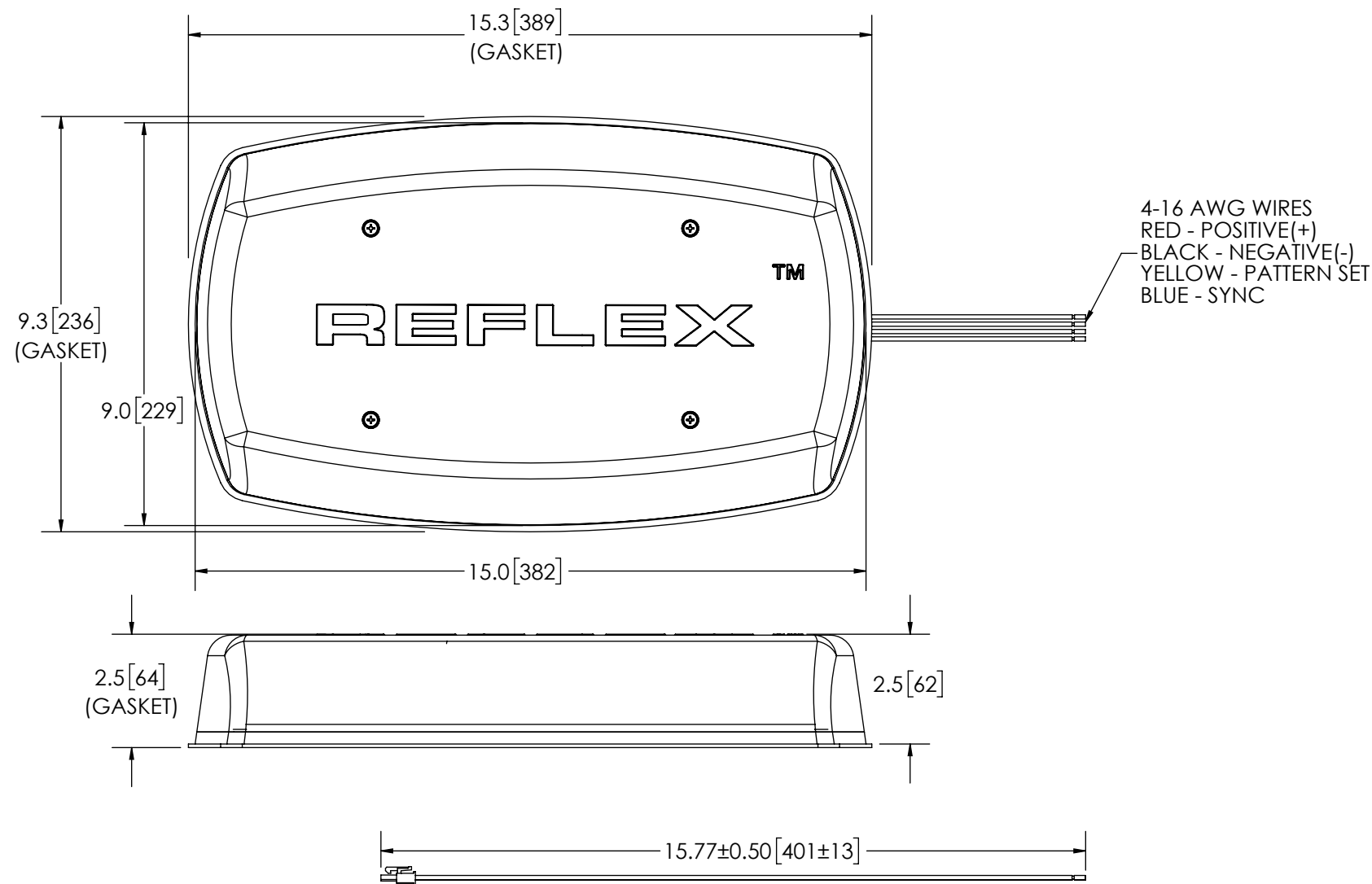
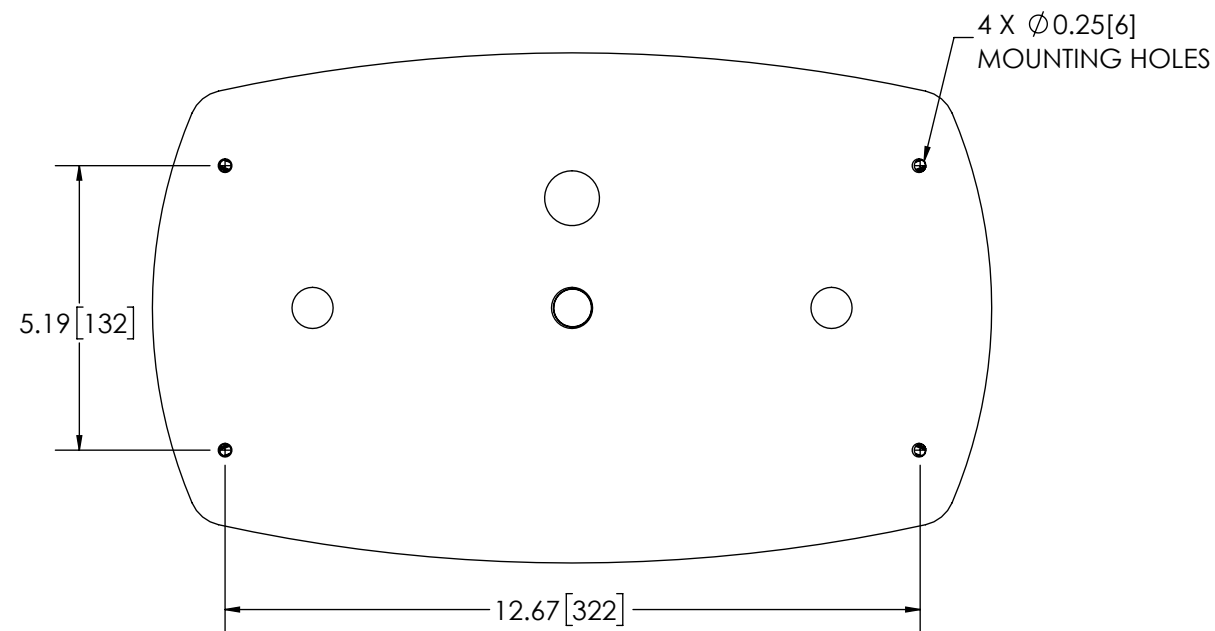


REVISION HISTORY		
REV.	DESCRIPTION	DATE
B	REVISE PER P12020	2016-01-20
C	REVISED PER	2019-12-17
D	REVISED PER EC:6001	2020-09-08



### SPECIFICATIONS

- CERTIFICATIONS: **CE**; ECE R10; SAE (SEE CHART) ; IP69K  
 Note: Unique components, accessories, and hardware kits are not typically Included in the Product Certification Test Protocols. Unless otherwise Specified, the Product Certifications referred to herein are predicated upon the base product model configuration.
- FLASH MODE: DOUBLE : 75 ± 5 FLASHES PER MINUTE  
 QUAD : 75 ± 5 FLASHES PER MINUTE  
 QUINT : 75 ± 5 FLASHES PER MINUTE
- VOLTAGE (NOMINAL): 12 to 24 VDC
- VOLTAGE (EXTREME): 9.0 to 32.0 VDC
- CURRENT (PEAK): SEE CHART (@ 12 VDC NOMINAL)
- POWER (MAXIMUM): SEE CHART (@ 12 VDC NOMINAL)
- TEMPERATURE RANGE: -22°F (-30°C) TO 122°F (50°C)
- CONNECTION: 4-16 AWG WIRES
- MOUNTING: 4 BOLT MOUNT KIT
- BASE MATERIAL: POLYCARBONATE
- LENS MATERIAL: POLYCARBONATE
- PRODUCT WEIGHT: 2.65 LBS (1.19 Kg)



FGS. PRODUCT CHART				
FGS. NO.	COLOR	CURRENT (PEAK) A	POWER (MAX) W	J845 (JUNE 2013)
5585CAB	CLEAR/AMBER/BLUE	4.6	58.9	CLASS 1S; YELLOW (180°), BLUE (180°)
5585CAC	CLEAR/AMBER/CLEAR	4.6	58.9	CLASS 1S; YELLOW (180°), WHITE (180°)
5585CAG	CLEAR/AMBER/GREEN	4.6	58.9	CLASS 1S; YELLOW (180°)
5585CAR	CLEAR/AMBER/RED	4.6	58.9	CLASS 1S; YELLOW (180°), RED (180°)
5585CRA	CLEAR/RED/AMBER	4.6	58.9	CLASS 1S; YELLOW (180°), RED (180°)
5585CRB	CLEAR/RED/BLUE	4.5	57.6	CLASS 1S; RED (180°), BLUE (180°)
5585CBW	CLEAR/BLUE/WHITE	4.5	57.6	CLASS 1S; BLUE (180°), WHITE (180°)
5585CGW	CLEAR/GREEN/WHITE	3.96	50.7	CLASS 1S; WHITE (180°)

- NOTES:  
 1. ROHS COMPLIANT  
 2. DIMENSIONS IN INCHES [MILLIMETERS (FOR REFERENCE)]

PROPRIETARY AND CONFIDENTIAL INFORMATION

THIS DRAWING AND THE DESIGN AND OTHER INFORMATION DISCLOSED HEREIN ARE THE PROPERTY OF ELECTRONIC CONTROLS COMPANY AND/OR ITS ECCO SAFETY GROUP AFFILIATES ("ECCO") AND IS ISSUED IN CONFIDENCE TO RECIPIENT FOR ENGINEERING INFORMATION PURPOSES ONLY. THIS DRAWING AND THE DESIGN AND OTHER INFORMATION DISCLOSED HEREIN MAY NOT BE USED, COPIED, REPRODUCED OR OTHERWISE DISCLOSED IN PART OR IN WHOLE TO THIRD PARTIES OR USED FOR ANY OTHER PURPOSE WITHOUT PRIOR ECCO WRITTEN CONSENT. ECCO RESERVES ALL PATENT, COPYRIGHT, TRADEMARK AND OTHER PROPRIETARY RIGHTS TO THIS DOCUMENT, INCLUDING ALL DESIGN, MANUFACTURING, REPRODUCTION, USE AND SALES RIGHTS THEREIN. THIS DRAWING IS SUBJECT TO RECALL BY ECCO AT ANY TIME, AND YOUR POSSESSION AND/OR USE CONSTITUTES ACCEPTANCE OF THESE TERMS. ©2012 ELECTRONIC CONTROLS COMPANY

SCALE 1:3.5	APPROVALS	DATE										
CAD GENERATED DRAWING DO NOT MANUALLY UPDATE. MODEL REFERENCED: C	DRAWN BY MDH	2020-07-28										
TOLERANCES ARE IN INCHES, AND MILLIMETERS TOLERANCES UNLESS OTHERWISE STATED ARE:	CHECKED ABD	2020-07-29										
<table border="1"> <tr> <th>MILLIMETERS DECIMALS</th> <th>INCHES DECIMALS</th> <th>ANGLES</th> </tr> <tr> <td>XX ± 1.0mm</td> <td>X.X ± 0.1</td> <td>± 0.5°</td> </tr> <tr> <td>XX.X ± 0.5mm</td> <td>X.XX ± 0.04</td> <td>FRACTIONS ± 1/64</td> </tr> </table>	MILLIMETERS DECIMALS	INCHES DECIMALS	ANGLES	XX ± 1.0mm	X.X ± 0.1	± 0.5°	XX.X ± 0.5mm	X.XX ± 0.04	FRACTIONS ± 1/64	MECH. ENG.		<b>LED MINIBAR, 8 HEAD, 12-24VDC, C1</b> CUSTOMER PART NO. <b>SEE CHART</b>
MILLIMETERS DECIMALS	INCHES DECIMALS	ANGLES										
XX ± 1.0mm	X.X ± 0.1	± 0.5°										
XX.X ± 0.5mm	X.XX ± 0.04	FRACTIONS ± 1/64										
	ELEC. ENG. JES	2020-07-29										
	TEST ENG. JRT	2020-07-29										
	SALES. ARS	2020-07-29										
THIRD ANGLE PROJECTION	Electronically Controlled Use Latest Copy		SIZE: B    DWG. NO. 5585CXX    REV. D SHEET 1 OF 1    Project: P12020    Date Created: 2012-08-09									