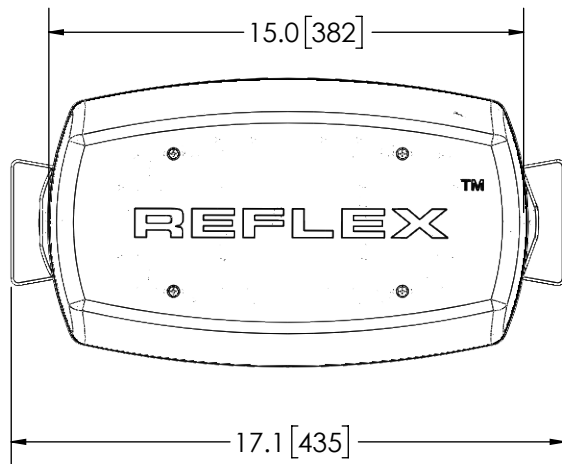


REVISION HISTORY

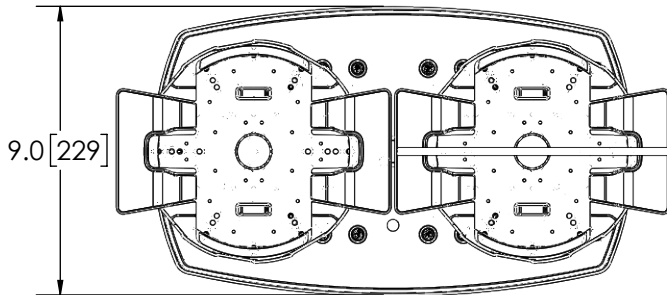
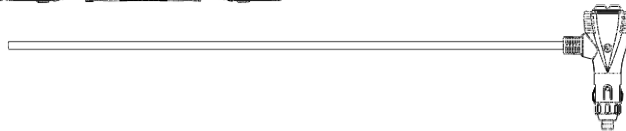
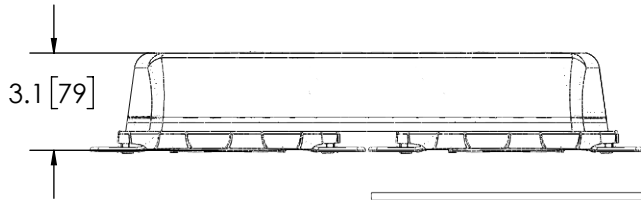
REV.	DESCRIPTION	DATE
01	PRELIMINARY RELEASE PER EP0020	2017-06-20
02	REVISED PER EP0020	2017-06-22
A	INITIAL RELEASE PER EP0020	2017-07-07



15' [4572] CORD W/ DUAL SWITCH LIGHTER ADAPTER

SPECIFICATIONS

- CERTIFICATIONS: **CE**; ECE R10; SAE J845 (JUN 2013); CLASS 2 YELLOW (AMBER); ; IP-35C For a Category 2 Enclosure
 Note: Unique components, accessories, and hardware kits are not typically Included in the Product Certification Test Protocols. Unless otherwise Specified, the Product Certifications referred to herein are predicated upon the base product model configuration.
- FLASH MODE: DOUBLE : 75 ± 5 FLASHES PER MINUTE
 QUAD : 75 ± 5 FLASHES PER MINUTE
 QUINT : 75 ± 5 FLASHES PER MINUTE
- VOLTAGE (NOMINAL): 12-24 VDC
- VOLTAGE (EXTREME): 9-32 VDC
- CURRENT (PEAK): 2.74A (@ 12 VDC NOMINAL)
- POWER (MAXIMUM): 35.1W (@ 12 VDC NOMINAL)
- TEMPERATURE RANGE: -22°F (-30°C) TO 122°F (50°C)
- CONNECTION: 15' [4572] CORD W/DUAL SWITCH LIGHTER ADAPTER
- MOUNTING: ADHESIVE
- BASE MATERIAL: POLYCARBONATE
- LENS MATERIAL: POLYCARBONATE
- PRODUCT WEIGHT: 5.1 LBS (2.3 Kg)



COLOR CHART	
FGS P/N	COLOR
5580A-HBT	AMBER

NOTES:
 1. ROHS COMPLIANT
 2. DIMENSIONS IN INCHES[MILLIMETERS (FOR REFERENCE)]

SCALE 1:6	APPROVALS	DATE
CAD GENERATED DRAWING DO NOT MANUALLY UPDATE. MODEL REFERENCED: 01	DRAWN BY	2017-06-22
	CHECKED MDH	2017-06-23
TOLERANCES ARE IN INCHES, AND MILLIMETERS TOLERANCES UNLESS OTHERWISE STATED ARE:	MECH. ENG. NMT	2017-06-22
	ELEC. ENG.	
MILLIMETERS DECIMALS XX. ± 1.0mm XX.X ± 0.5mm	INCHES DECIMALS X.X ± 0.1 X.XX ± 0.04 X.XXX ± 0.02	ANGLES ± 0.5°
		FRACTIONS ± 1/64
THIRD ANGLE PROJECTION 	TEST ENG. JRT	2017-06-22
	SALES. ARS	2017-06-23
	Electronically Controlled Use Latest Copy	



LED MINIBAR, 8 HEAD, PM, 12-24VDC, HBT

CUSTOMER PART NO. SEE CHART		PRODUCT SERIES: 5580
SIZE: A	DWG. NO. 5580X-HBT	REV. A
SHEET 1 OF 1		Project: EP0020 Date Created: 2017-06-20

THIS DRAWING AND THE DESIGN IT DISCLOSES ARE THE PRIVATE PROPERTY OF ELECTRONIC CONTROLS CO. AND IS ISSUED IN CONFIDENCE FOR ENGINEERING INFORMATION ONLY. THE DRAWING AND / OR DESIGN MAY NOT BE USED, COPIED, REPRODUCED, OR OTHERWISE DISCLOSED IN PART OR AS A WHOLE TO OUTSIDERS OR USED FOR ANY OTHER PURPOSE WITHOUT THE PRIOR WRITTEN CONSENT OF ELECTRONIC CONTROLS CO. THE DRAWING IS SUBJECT TO RECALL AT ANY TIME. YOUR POSSESSION OF THIS DOCUMENT CONSTITUTES ACCEPTANCE OF THESE TERMS. © 2017 ELECTRONIC CONTROLS CO.