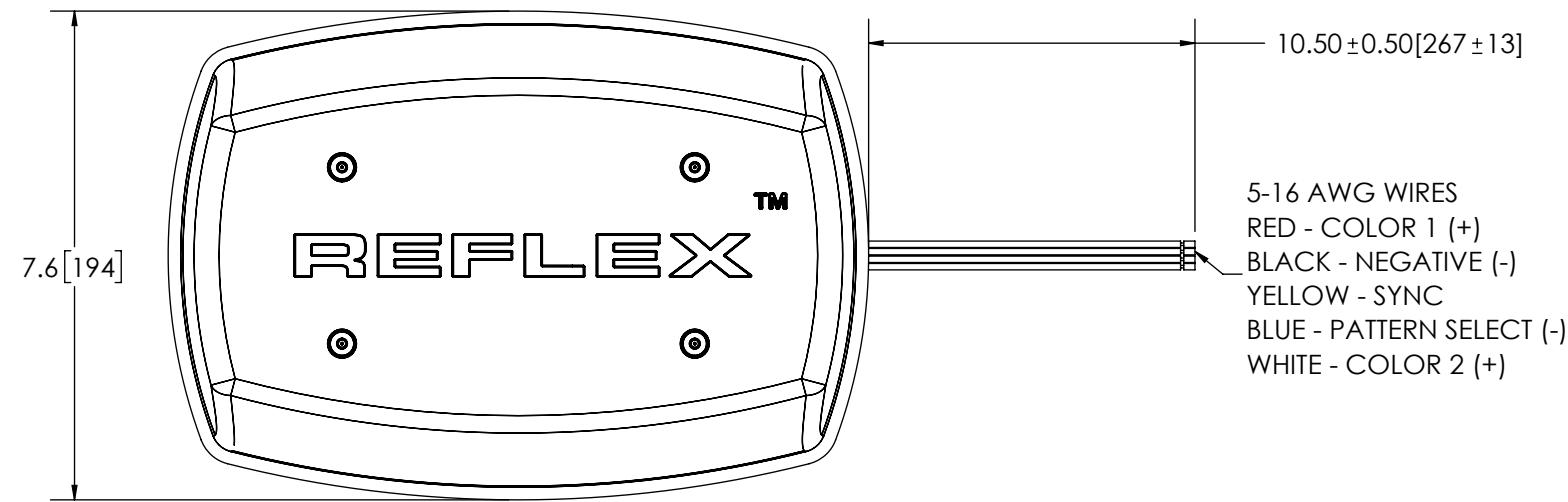
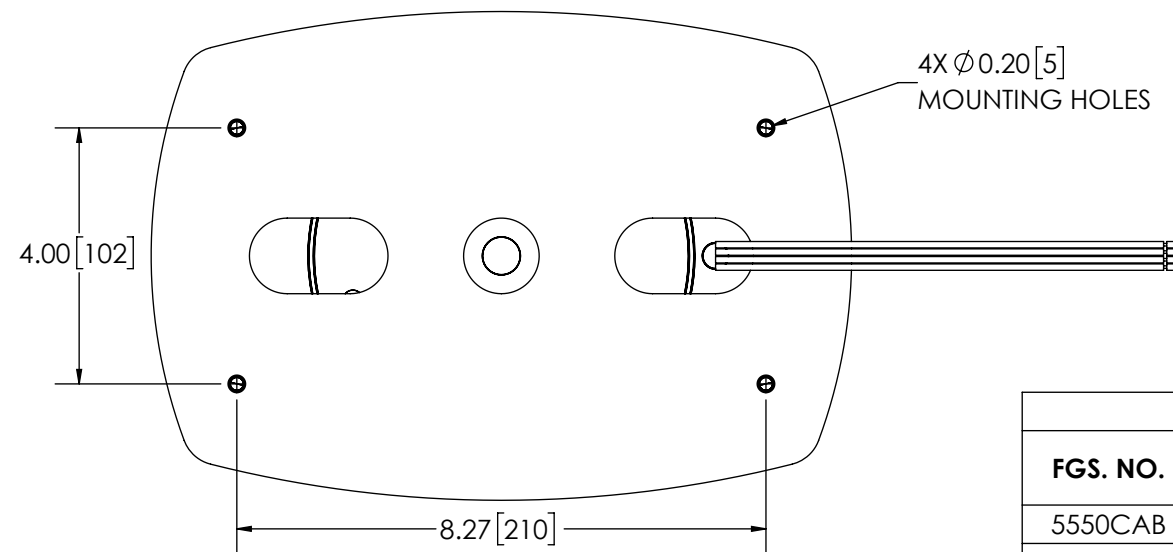
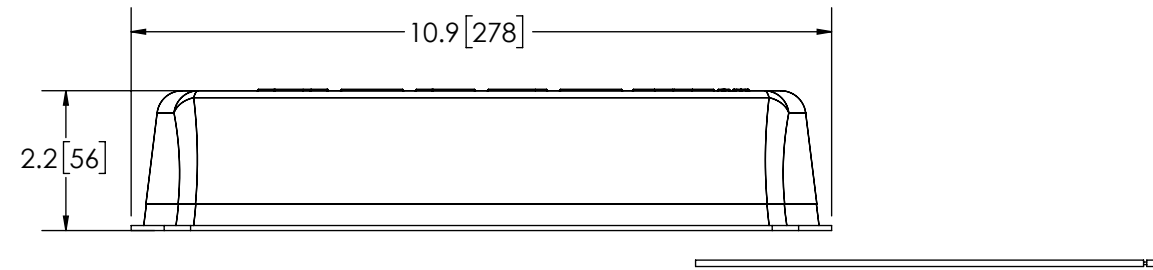


REVISION HISTORY		
REV.	DESCRIPTION	DATE
A	INITIAL RELEASE PER EL0056	2016-10-28
B	REVISE PER EL0056	2016-11-28
C	REVISE PER EL0086	2018-03-20



5-16 AWG WIRES  
 RED - COLOR 1 (+)  
 BLACK - NEGATIVE (-)  
 YELLOW - SYNC  
 BLUE - PATTERN SELECT (-)  
 WHITE - COLOR 2 (+)



### SPECIFICATIONS

- CERTIFICATIONS: ECE R10; SEE CHART; ; Reg 65 CertE4 TA1-006655, TB1-006656; IP6K5  
 Note: Unique components, accessories, and hardware kits are not typically included in the Product Certification Test Protocols. Unless otherwise Specified, the Product Certifications referred to herein are predicated upon the base product model configuration.
- FLASH MODE: QUAD (75) : 75 ± 5 FLASHES PER MINUTE  
 DOUBLE (75) : 75 ± 5 FLASHES PER MINUTE  
 DOUBLE (120) : 120 ± 5 FLASHES PER MINUTE
- VOLTAGE (NOMINAL): 12-24 VDC
- VOLTAGE (EXTREME): 9-32 VDC
- CURRENT (PEAK): SEE CHART (@ 12 VDC NOMINAL)
- POWER (MAXIMUM): SEE CHART (@ 12 VDC NOMINAL)
- TEMPERATURE RANGE: -22°F (-30°C) TO 122°F (50°C)
- CONNECTION: 5-16 AWG WIRES
- MOUNTING: 4 BOLT MOUNT KIT
- BASE MATERIAL: POLYCARBONATE
- LENS MATERIAL: POLYCARBONATE
- PRODUCT WEIGHT: 2.0 LBS (0.9 Kg)

### FGS PRODUCT CHART

FGS. NO.	COLOR	CURRENT (PEAK) @12VDC	POWER (MAXIMUM) @12VDC	ECE R65	SAE J845 (JUN 2013)	CA T13
5550CAB	AMBER/BLUE	4.5A	57.6W	CLASS I: AMBER, BLUE	CLASS 1: AMBER, BLUE	CLASS E: AMBER, BLUE
5550CAC	AMBER/WHITE	3.8A	48.6W	CLASS I: AMBER	CLASS 1: AMBER, WHITE	CLASS E: AMBER
5550CAG	AMBER/GREEN	PENDING	PENDING	CLASS I: AMBER	CLASS 1: AMBER	CLASS E: AMBER
5550CAR	AMBER/RED	4.3A	55.0W	CLASS I: AMBER, RED	CLASS 1: AMBER, RED	CLASS E: AMBER, RED

DISCLAIMER  
 DIMENSIONS, ILLUSTRATIONS, SPECIFICATIONS, AND CERTIFICATIONS CONTAINED IN THIS DOCUMENT ARE TYPICAL OF THE ACTUAL PRODUCT AND ARE SUBJECT TO CHANGE.  
 ECCO ENGINEERING DOES NOT MAINTAIN FORMAL DESIGN CONTROL OF THIS PRODUCT.

- NOTES:  
 1. ROHS COMPLIANT  
 2. DIMENSIONS IN INCHES[MILLIMETERS (FOR REFERENCE)]

NON DISCLOSURE AGREEMENT  
 THIS DRAWING AND THE DESIGN IT DISCLOSES ARE THE PRIVATE PROPERTY OF ELECTRONIC CONTROLS CO. AND IS ISSUED IN CONFIDENCE FOR ENGINEERING INFORMATION ONLY. THE DRAWING AND / OR DESIGN MAY NOT BE USED, COPIED, REPRODUCED, OR OTHERWISE DISCLOSED IN PART OR AS A WHOLE TO OUTSIDERS OR USED FOR ANY OTHER PURPOSE WITHOUT THE PRIOR WRITTEN CONSENT OF ELECTRONIC CONTROLS CO. THE DRAWING IS SUBJECT TO RECALL AT ANY TIME. YOUR POSSESSION OF THIS DOCUMENT CONSTITUTES ACCEPTANCE OF THESE TERMS. © 2018 ELECTRONIC CONTROLS CO.

SCALE 1:3	APPROVALS	DATE	
CAD GENERATED DRAWING DO NOT MANUALLY UPDATE. MODEL REFERENCED: A	DRAWN BY ABD	2018-03-14	
TOLERANCES ARE IN INCHES, AND MILLIMETERS TOLERANCES UNLESS OTHERWISE STATED ARE:	CHECKED MDH	2018-03-15	<b>LED MICROBAR, 11", 12-24V, PERM, CLASS I</b>
MILLIMETERS DECIMALS XX. ± 1.0mm XX.X ± 0.5mm	MECH. ENG.		
INCHES DECIMALS X.X ± 0.1 X.XX ± 0.04 X.XXX ± 0.02	ELEC. ENG.		CUSTOMER PART NO. <b>SEE CHART</b>
ANGLES ± 0.5° FRACTIONS ± 1/64	TEST ENG. JRT	2018-03-20	PRODUCT SERIES: <b>5500</b>
THIRD ANGLE PROJECTION	SALES. ARS	2018-03-15	SIZE: <b>B</b>
	Electronically Controlled Use Latest Copy		DWG. NO. <b>5550CXX</b>
	SHEET 1 OF 1	Project: EL0056	Date Created: 2016-10-11
			REV. <b>C</b>