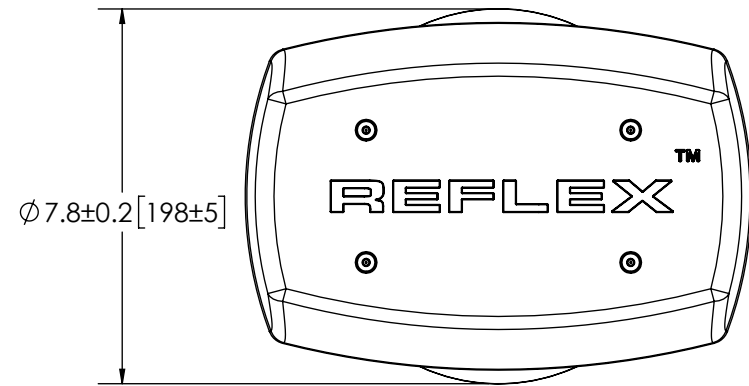
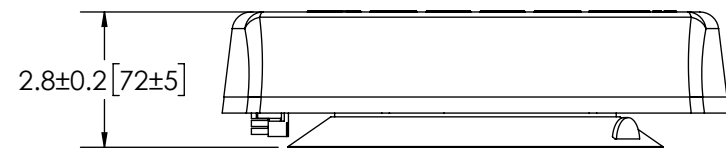


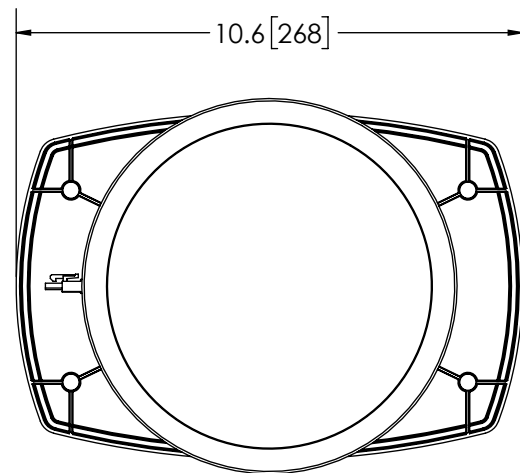
REVISION HISTORY		
REV.	DESCRIPTION	DATE
A	INITIAL RELEASE PER EL0056	2016-10-28
B	REVISE PER EL0056	2016-11-29
C	REVISE PER EL0086	2018-06-19



TOP VIEW

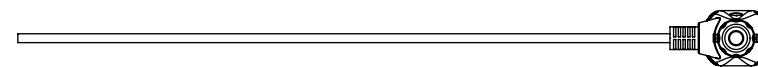
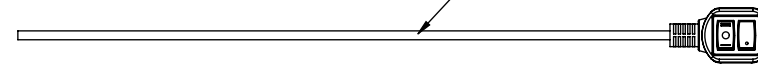


FRONT VIEW



BOTTOM VIEW

15'[4572] CORD W/ DUAL SWITCH LIGHTER ADAPTER



SPECIFICATIONS

- CERTIFICATIONS: ECE R10; ; SEE CHART ; IP6K5
Note: Unique components, accessories, and hardware kits are not typically included in the Product Certification Test Protocols. Unless otherwise Specified, the Product Certifications referred to herein are predicated upon the base product model configuration.
- FLASH MODE: SINGLE : 75 ± 5 FLASHES PER MINUTE
SINGLE : 375 ± 5 FLASHES PER MINUTE
DOUBLE : 75 ± 5 FLASHES PER MINUTE
- VOLTAGE (NOMINAL): 12-24 VDC
- VOLTAGE (EXTREME): 9-32 VDC
- CURRENT (PEAK): SEE CHART (@ 12 VDC NOMINAL)
- POWER (MAXIMUM): SEE CHART (@ 12 VDC NOMINAL)
- TEMPERATURE RANGE: -22°F (-30°C) TO 122°F (50°C)
- CONNECTION: 15' CORD W/DUAL SWITCH LIGHTER ADAPTER
- MOUNTING: VACUUM MAGNET
- BASE MATERIAL: POLYCARBONATE
- LENS MATERIAL: POLYCARBONATE
- PRODUCT WEIGHT: 3.6 LBS (1.62 Kg)

FGS PRODUCT CHART						
FG P/N	COLOR	CURRENT (PEAK) @12VDC	POWER (MAXIMUM) @12VDC	R65	CA TITLE 13	SAE J845 (JUN 2013)
5550CAB-VM	AMBER/BLUE	3.0A	23W	AMBER, BLUE	AMBER, BLUE	CLASS I: AMBER, BLUE
5550CAC-VM	AMBER/WHITE	1.8A	14W	AMBER	AMBER	CLASS I: AMBER, WHITE
5550CAG-VM	AMBER/GREEN	3.5A	27W	AMBER	AMBER	CLASS I: AMBER
5550CAR-VM	AMBER/RED	4.5A	34W	AMBER, RED	AMBER, RED	CLASS I: AMBER, RED

DISCLAIMER
DIMENSIONS, ILLUSTRATIONS, SPECIFICATIONS, AND CERTIFICATIONS CONTAINED IN THIS DOCUMENT ARE TYPICAL OF THE ACTUAL PRODUCT AND ARE SUBJECT TO CHANGE. ECCO ENGINEERING DOES NOT MAINTAIN FORMAL DESIGN CONTROL OF THIS PRODUCT.

NOTES:
1. DIMENSIONS IN INCHES[MILLIMETERS(FOR REFERENCE)]

NON DISCLOSURE AGREEMENT
THIS DRAWING AND THE DESIGN IT DISCLOSES ARE THE PRIVATE PROPERTY OF ELECTRONIC CONTROLS CO. AND IS ISSUED IN CONFIDENCE FOR ENGINEERING INFORMATION ONLY. THE DRAWING AND / OR DESIGN MAY NOT BE USED, COPIED, REPRODUCED, OR OTHERWISE DISCLOSED IN PART OR AS A WHOLE TO OUTSIDERS OR USED FOR ANY OTHER PURPOSE WITHOUT THE PRIOR WRITTEN CONSENT OF ELECTRONIC CONTROLS CO. THE DRAWING IS SUBJECT TO RECALL AT ANY TIME. YOUR POSSESSION OF THIS DOCUMENT CONSTITUTES ACCEPTANCE OF THESE TERMS. © 2016 ELECTRONIC CONTROLS CO.

SCALE 1:4		APPROVALS	DATE
C:AD GENERATED DRAWING DO NOT MANUALLY UPDATE. MODEL REFERENCED: A		DRAWN BY TW	2018-06-12
TOLERANCES ARE IN INCHES, AND MILLIMETERS TOLERANCES UNLESS OTHERWISE STATED ARE:		CHECKED MDH	2018-06-13
MILLIMETERS DECIMALS	INCHES DECIMALS	MECH. ENG.	
XX. ± 1.0mm	X.X ± 0.1	ELEC. ENG. GCJ	2018-06-13
XX.X ± 0.5mm	X.XX ± 0.04	TEST ENG. JRT	2018-06-18
	X.XXX ± 0.02	SALES. ARS	2018-06-13
	FRACTIONS ± 1/64		
THIRD ANGLE PROJECTION		Electronically Controlled Use Latest Copy	



LED MICROBAR, 11", 12-24V, VM, CLASS I		
CUSTOMER PART NO. SEE CHART	PRODUCT SERIES: 5500	
SIZE: B	DWG. NO. 5550CXX-VM	REV. C
Project: EL0056	Date Created: 2016-10-11	