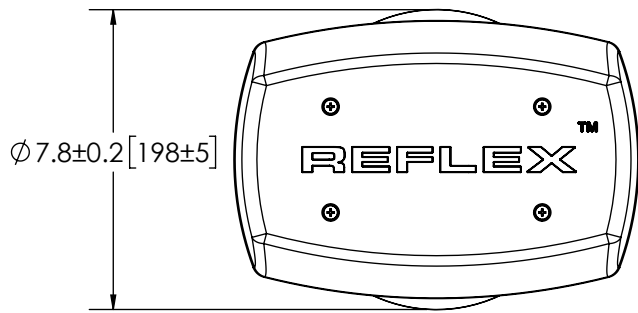
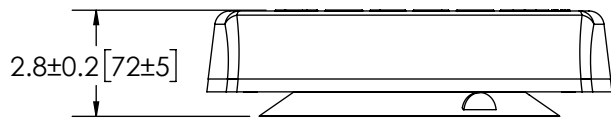


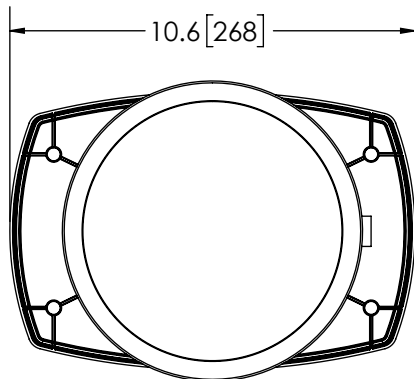
REVISION HISTORY		
REV.	DESCRIPTION	DATE
B	REVISE PER EL0086	2018-02-23
C	REVISE PER EL0086	2018-05-02
D	REVISE PER EL0086	2018-07-24



**TOP VIEW**

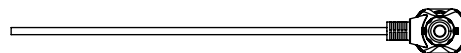
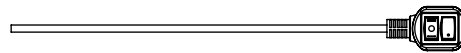


**FRONT VIEW**



**BOTTOM VIEW**

15'[4572] CORD W/ DUAL SWITCH LIGHTER ADAPTER



**SPECIFICATIONS**

- CERTIFICATIONS: ECE R10; AMECA/SAE J845 (JUN 2013) CLASS 1A; YELLOW; CA Title 13 CLASS E; ; Reg 65 CertE4-TA1-006639; IP6K5  
Note: Unique components, accessories, and hardware kits are not typically included in the Product Certification Test Protocols. Unless otherwise Specified, the Product Certifications referred to herein are predicated upon the base product model configuration.
- FLASH MODE: SINGLE : 75 ± 5 FLASHES PER MINUTE  
SINGLE : 120 ± 5 FLASHES PER MINUTE  
DOUBLE : 75 ± 5 FLASHES PER MINUTE
- VOLTAGE (NOMINAL): 12-24 VDC
- VOLTAGE (EXTREME): 9-32 VDC
- CURRENT (PEAK): 3.42A (@ 12 VDC NOMINAL)
- POWER (MAXIMUM): 43.8W (@ 12 VDC NOMINAL)
- TEMPERATURE RANGE: -22°F (-30°C) TO 122°F (50°C)
- CONNECTION: 15' CORD W/DUAL SWITCH LIGHTER ADAPTER
- MOUNTING: VACUUM MAGNET
- BASE MATERIAL: POLYCARBONATE
- LENS MATERIAL: POLYCARBONATE
- PRODUCT WEIGHT: 3.6 LBS (1.62 Kg)

**DISCLAIMER**

DIMENSIONS, ILLUSTRATIONS, SPECIFICATIONS, AND CERTIFICATIONS CONTAINED IN THIS DOCUMENT ARE TYPICAL OF THE ACTUAL PRODUCT AND ARE SUBJECT TO CHANGE. ECCO ENGINEERING DOES NOT MAINTAIN FORMAL DESIGN CONTROL OF THIS PRODUCT.

COLOR CHART	
FG P/N	COLOR
5550CA-VM	AMBER

NOTES:  
1. DIMENSIONS IN INCHES[MILLIMETERS (FOR REFERENCE)]

SCALE 1:5		APPROVALS	DATE												
CAD GENERATED DRAWING DO NOT MANUALLY UPDATE. MODEL REFERENCED: A		DRAWN BY ABD	2018-07-09												
TOLERANCES ARE IN INCHES, AND MILLIMETERS UNLESS OTHERWISE STATED ARE:		CHECKED ABB	2018-07-10												
<table border="1"> <thead> <tr> <th>MILLIMETERS DECIMALS</th> <th>INCHES DECIMALS</th> <th>ANGLES</th> </tr> </thead> <tbody> <tr> <td>XX. ± 1.0mm</td> <td>X.X ± 0.1</td> <td>± 0.5°</td> </tr> <tr> <td>XX.X ± 0.5mm</td> <td>X.XX ± 0.04</td> <td>FRACTIONS</td> </tr> <tr> <td></td> <td>X.XXX ± 0.02</td> <td>± 1/64</td> </tr> </tbody> </table>		MILLIMETERS DECIMALS	INCHES DECIMALS		ANGLES	XX. ± 1.0mm	X.X ± 0.1	± 0.5°	XX.X ± 0.5mm	X.XX ± 0.04	FRACTIONS		X.XXX ± 0.02	± 1/64	MECH. ENG. JLA
MILLIMETERS DECIMALS	INCHES DECIMALS	ANGLES													
XX. ± 1.0mm	X.X ± 0.1	± 0.5°													
XX.X ± 0.5mm	X.XX ± 0.04	FRACTIONS													
	X.XXX ± 0.02	± 1/64													
		ELEC. ENG. GCJ	2018-07-10	<b>LED MICROBAR, 11", 12-24V, VM, CLASS I</b> CUSTOMER PART NO. <b>SEE CHART</b>											
		TEST ENG. JRT	2018-07-13		PRODUCT SERIES: 5500										
		SALES. ARS	2018-07-10		SIZE: A    DWG. NO. 5550XX-VM    REV. D Project: EL0056    Date Created: 2016-11-08										
THIRD ANGLE PROJECTION 		Electronically Controlled Use Latest Copy		SHEET 1 OF 1											

NON DISCLOSURE AGREEMENT  
THIS DRAWING AND THE DESIGN IT DISCLOSES ARE THE PRIVATE PROPERTY OF ELECTRONIC CONTROLS CO. AND IS ISSUED IN CONFIDENCE FOR ENGINEERING INFORMATION ONLY. THE DRAWING AND / OR DESIGN MAY NOT BE USED, COPIED, REPRODUCED, OR OTHERWISE DISCLOSED IN PART OR AS A WHOLE TO OUTSIDERS OR USED FOR ANY OTHER PURPOSE WITHOUT THE PRIOR WRITTEN CONSENT OF ELECTRONIC CONTROLS CO. THE DRAWING IS SUBJECT TO RECALL AT ANY TIME. YOUR POSSESSION OF THIS DOCUMENT CONSTITUTES ACCEPTANCE OF THESE TERMS. © 2016 ELECTRONIC CONTROLS CO.