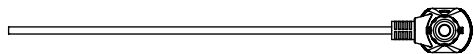
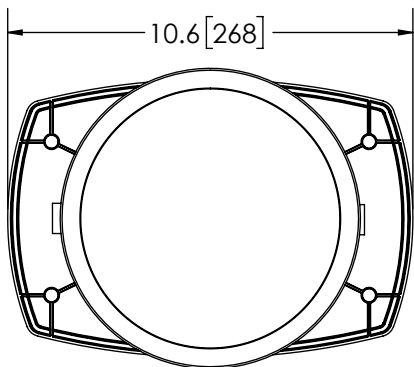
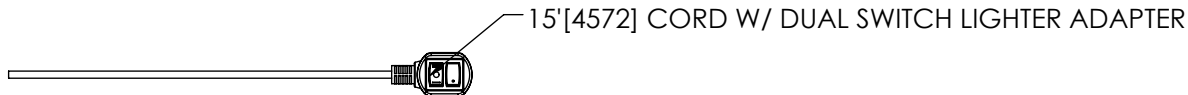
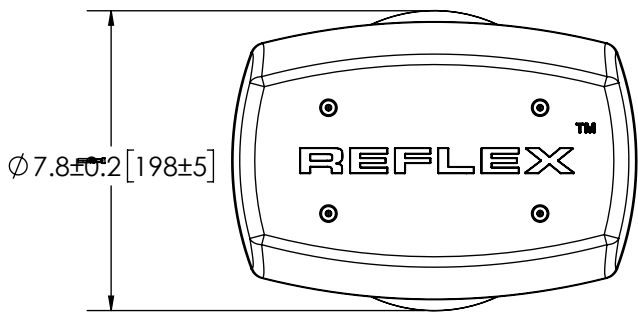


REVISION HISTORY		
REV.	DESCRIPTION	DATE
B	REVISE PER EL0086	2017-09-08
C	REVISE PER EL0086	2018-05-02
D	REVISE PER EL0086	2018-07-05



## SPECIFICATIONS

- CERTIFICATIONS: ECE R10; AMECA/SAE J845 (JUN 2013) CLASS 1A; YELLOW; CA Title 13 CLASS E; ; Reg 65 CertE4-TA1-006639; IP6K5  
Note: Unique components, accessories, and hardware kits are not typically included in the Product Certification Test Protocols. Unless otherwise Specified, the Product Certifications referred to herein are predicated upon the base product model configuration.
- FLASH MODE: SINGLE:  $75 \pm 5$  FLASHES PER MINUTE  
SINGLE:  $120 \pm 5$  FLASHES PER MINUTE  
DOUBLE:  $65 \pm 5$  FLASHES PER MINUTE
- VOLTAGE (NOMINAL): 12-24 VDC
- VOLTAGE (EXTREME): 9-32 VDC
- CURRENT (PEAK): 3.42A (@ 12 VDC NOMINAL)
- POWER (MAXIMUM): 43.8W (@ 12 VDC NOMINAL)
- TEMPERATURE RANGE: -22°F (-30°C) TO 122°F (50°C)
- CONNECTION: 15' CORD W/DUAL SWITCH LIGHTER ADAPTER
- MOUNTING: VACUUM MAGNET
- BASE MATERIAL: POLYCARBONATE
- LENS MATERIAL: POLYCARBONATE
- PRODUCT WEIGHT: 3.6 LBS (1.62 Kg)

COLOR CHART	
FG P/N	COLOR
5550A-VM	AMBER

### DISCLAIMER

DIMENSIONS, ILLUSTRATIONS, SPECIFICATIONS, AND CERTIFICATIONS CONTAINED IN THIS DOCUMENT ARE TYPICAL OF THE ACTUAL PRODUCT AND ARE SUBJECT TO CHANGE. ECCO ENGINEERING DOES NOT MAINTAIN FORMAL DESIGN CONTROL OF THIS PRODUCT.

- NOTES:  
1. DIMENSIONS IN INCHES [MILLIMETERS (FOR REFERENCE)]

SCALE 1:5		APPROVALS	DATE	
CAD GENERATED DRAWING DO NOT MANUALLY UPDATE. MODEL REFERENCED: A		DRAWN BY ABD	2018-06-14	
TOLERANCES ARE IN INCHES, AND MILLIMETERS TOLERANCES UNLESS OTHERWISE STATED ARE:		CHECKED MDH	2018-06-15	
MILLIMETERS DECIMALS XX. ± 1.0mm XX.X ± 0.5mm	INCHES DECIMALS X.X ± 0.1 X.XX ± 0.04 X.XXX ± 0.02	MECH. ENG. JLA	2018-06-25	
	ANGLES ± 0.5° FRACTIONS ± 1/64	ELEC. ENG. GCJ	2018-06-15	
	THIRD ANGLE PROJECTION	TEST ENG. JRT	2018-06-18	
		SALES. ARS	2018-06-25	
NON DISCLOSURE AGREEMENT				<b>LED MICROBAR, 11", 12-24V, VM, CLASS I</b>
THIS DRAWING AND THE DESIGN IT DISCLOSES ARE THE PRIVATE PROPERTY OF ELECTRONIC CONTROLS CO. AND IS ISSUED IN CONFIDENCE FOR ENGINEERING INFORMATION ONLY. THE DRAWING AND / OR DESIGN MAY NOT BE USED, COPIED, REPRODUCED, OR OTHERWISE DISCLOSED IN PART OR AS A WHOLE TO OUTSIDERS OR USED FOR ANY OTHER PURPOSE WITHOUT THE PRIOR WRITTEN CONSENT OF ELECTRONIC CONTROLS CO. THE DRAWING IS SUBJECT TO RECALL AT ANY TIME. YOUR POSSESSION OF THIS DOCUMENT CONSTITUTES ACCEPTANCE OF THESE TERMS. © 2018 ELECTRONIC CONTROLS CO.				CUSTOMER PART NO. <b>SEE CHART</b>
SIZE: A    DWG. NO. 5550X-VM    REV. D				PRODUCT SERIES: <b>5500</b>
Electronically Controlled Use Latest Copy				SHEET 1 OF 1    Project: EL0056    Date Created: 2016-11-08