

## LED MINIBARS

### 5280 SERIES SAE Class I 13" LED Hybrid

The 5280 Series RotoLED™ Minibar combines all the benefits of the latest LEDs with the unmistakable warning signal of a rotator, all without compromising reliability. LED hybrid technology uses a brushless magnetic-drive system to spin the reflector disk, reducing noise and eliminating the typical motor/gear drawbacks associated with conventional rotators. Each hybrid module also features 8 high-intensity LEDs and TIR optic, providing SAE Class I light output. Additional benefits include low amp draw, extended service-free life, and a 5-year warranty.

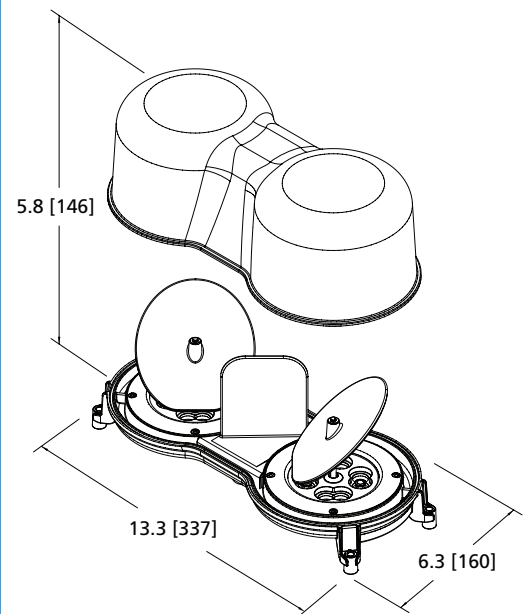
#### Models

PART NO.	VOLTAGE	AMPS	ILLUMINATION	FPM	MOUNT	SAE CLASS
5280A	12-24	4.0	Amber	360	Permanent	I
5280B	12-24	4.0	Blue	360	Permanent	II
5280CAA	12-24	3.8	Amber/Amber	360	Permanent	I
5280CAB	12-24	3.8	Amber/Blue	360	Permanent	
5280CAC	12-24	3.8	Amber/Clear	360	Permanent	
5280CAR	12-24	3.8	Amber/Red	360	Permanent	
5280CBB	12-24	3.8	Blue/Blue	360	Permanent	I
5280CCC	12-24	4.0	Clear/Clear	360	Permanent	I
5280CGG	12-24	3.8	Green/Green	360	Permanent	
5280CRB	12-24	3.8	Red/Blue	360	Permanent	
5280CRR	12-24	3.8	Red/Red	360	Permanent	II
5280G	12-24	4.0	Green	360	Permanent	
5280R	12-24	4.0	Red	360	Permanent	I

Magnet mount versions available. Add -MG to part number for magnet mount models.

#### Features and Benefits

- LED optics produce intense rotating beam
- UV hard coated lens reduces abrasion, cracking and fading
- SAE J845 Class I, CE, R10, IP67
- Temperature Range: -22°F to +122°F (-30°C to +50°C)
- Warranty: 5 years



45° angled reflector driven by a quiet brushless magnetic drive system provides an exceptional warning beam without compromising reliability

8 high-intensity, 3-watt LEDs combined with a unique TIR optic project light onto the reflector to provide SAE Class I light output

