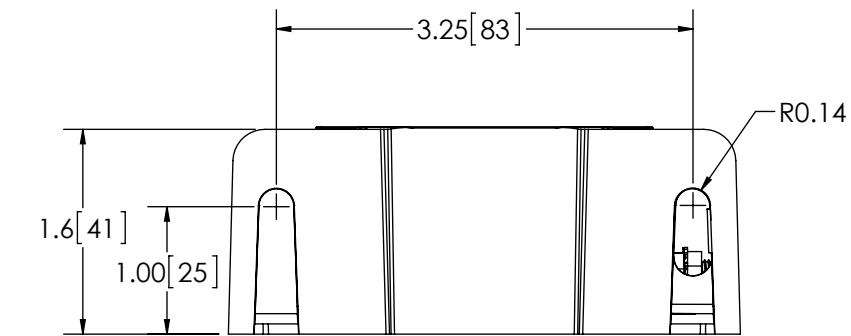
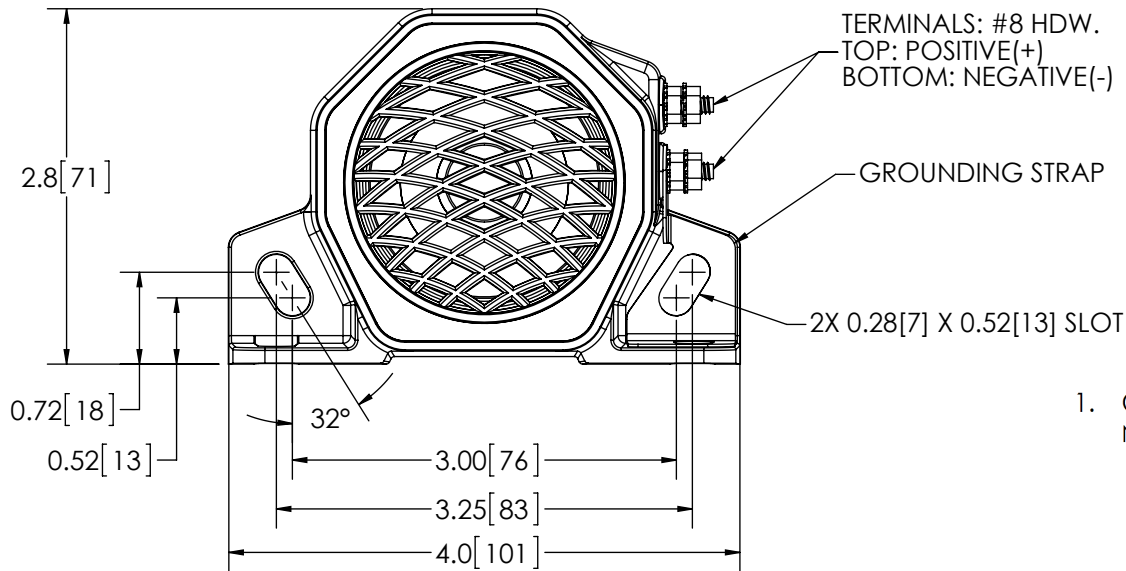


REVISION HISTORY		
REV.	DESCRIPTION	DATE
C	ADD CERTS. PER P3#01058, RMVED. M2 IN DRW. #	2002-11-21
D	CHANGED HOUSING PER P3#01056	2003-09-29
E	REVISE PER P09016	2012-07-11



### SPECIFICATIONS

- CERTIFICATIONS: **CE**; **UL**; e; SAE J994 (MAR 2009), TYPE C;  
Note: Unique components, accessories, and hardware kits are not typically included in the Product Certification Test Protocols. Unless otherwise Specified, the Product Certifications referred to herein are predicated upon the base product model configuration.
- SOUND PRESSURE LEVEL:  $97 \pm 4$  dB (A) @ 1.2m (4ft)
- VOLTAGE (NOMINAL): 12 to 24 VDC
- VOLTAGE (EXTREME): 9.0 to 32.0 VDC
- CURRENT (PEAK): 0.2 A (@ 12 VDC NOMINAL)
- POWER (MAXIMUM): 4 W (@ 12 VDC NOMINAL)
- TEMPERATURE RANGE: -40°F (-40°C) TO 185°F (85°C)
- FREQUENCY: 960 to 1440 Hz
- CONNECTION: 8 - 32 UNI STUD CONNECTION
- RECOMMENDED MOUNTING: 1/4 - 20 UNC, GRADE 5 OR BETTER, 1/4" TYPE A, SERIES N OR W WASHER
- HOUSING MATERIAL: GLASS FILLED NYLON
- PRODUCT WEIGHT: 0.8 LBS (0.36 Kg)

NOTES:

- DIMENSIONS IN INCHES[MILLIMETERS(FOR REFERENCE)]

SCALE 1:1.5		APPROVALS	DATE	<b>ECCO</b> <sup>®</sup>
CAD GENERATED DRAWING DO NOT MANUALLY UPDATE. MODEL REFERENCED:D		DRAWN BY MDH	2012-07-10	
TOLERANCES ARE IN INCHES, AND MILLIMETERS TOLERANCES ARE:		CHECKED BND	2012-07-11	
MILLIMETERS DECIMALS XX. ± 1.0mm XX.X ± 0.5mm		MECH. ENG. JLA	2012-07-11	
INCHES DECIMALS X.X ± 0.1 X.XX ± 0.04 X.XXX ± 0.02		ELEC. ENG. JES	2012-07-10	<b>ALARM, BACK-UP, 97DBA, 12-24VDC</b>
ANGLES ± 0.5° FRACTIONS ± 1/64		TEST ENG. JRT	2012-07-11	
THIRD ANGLE PROJECTION		SALES. DEH	2012-07-11	CUSTOMER PART NO. <b>520</b>
NON DISCLOSURE AGREEMENT				PRODUCT SERIES: <b>500</b>
THIS DRAWING AND THE DESIGN IT DISCLOSES ARE THE PRIVATE PROPERTY OF ECCO AND IS ISSUED IN CONFIDENCE FOR ENGINEERING INFORMATION ONLY. THE DRAWING AND / OR DESIGN MAY NOT BE USED, COPIED, REPRODUCED, OR OTHERWISE DISCLOSED IN PART OR AS A WHOLE TO OUTSIDERS OR USED FOR ANY OTHER PURPOSE WITHOUT THE PRIOR WRITTEN CONSENT OF ECCO. THE DRAWING IS SUBJECT TO RECALL AT ANY TIME. YOUR POSSESSION OF THIS DOCUMENT CONSTITUTES ACCEPTANCE OF THESE TERMS. © 2003 ECCO		Electronically Controlled Use Latest Copy		SIZE: <b>A</b> DWG. NO. <b>520</b> REV. <b>E</b>
		SHEET 1 OF 1 Project: 01056 Date Created: 2003-09-29		