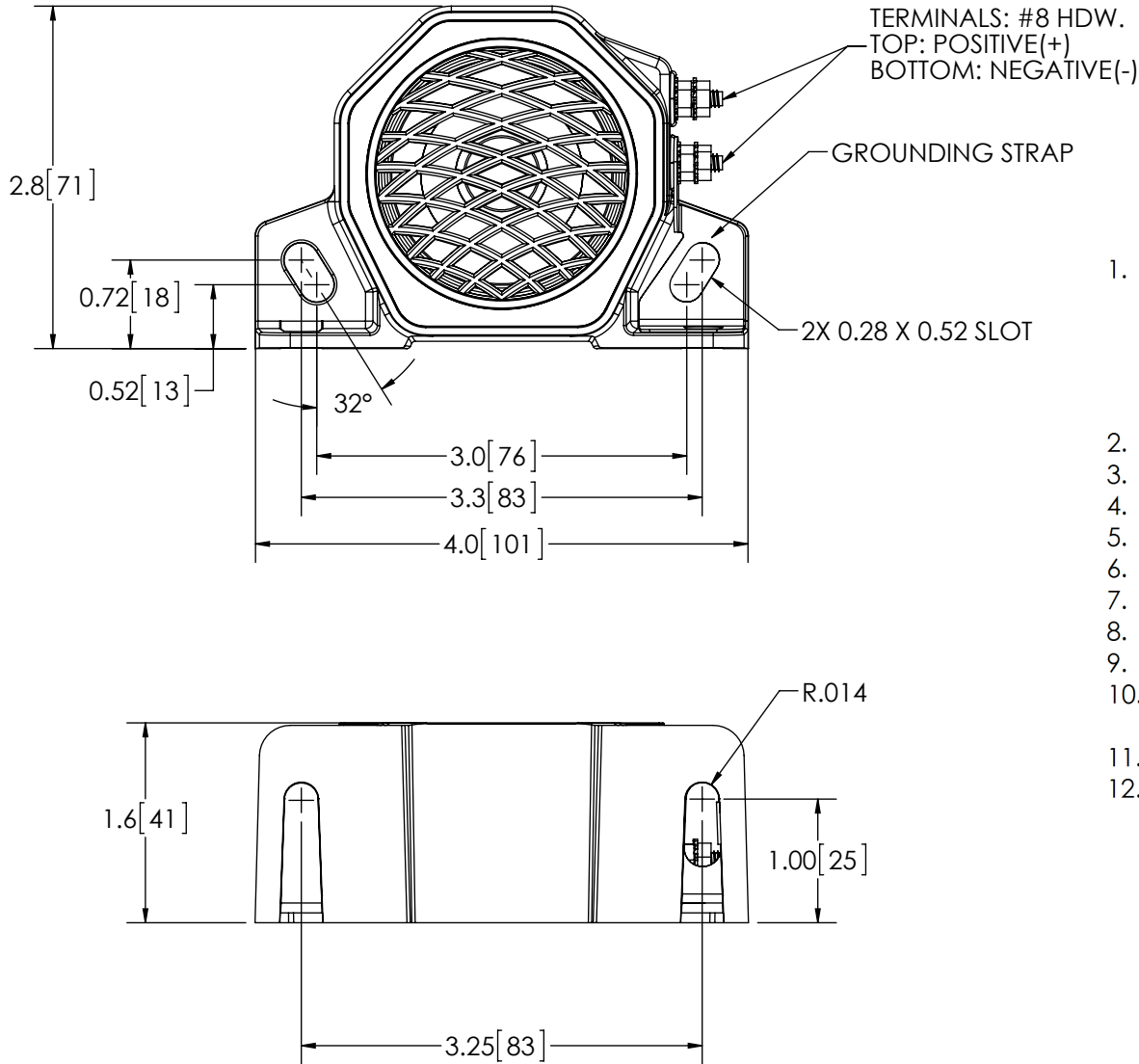


REVISION HISTORY		
REV.	DESCRIPTION	DATE
E	CHANGED HOUSING PER P3# 01056	2003-10-31
F	REVISED	2012-06-25
G	REVISE PER P09016	2012-07-11



SPECIFICATIONS

- CERTIFICATIONS: **CE**; **UL**; e; SAE J994 (MAR 2009), TYPE C;
Note: Unique components, accessories, and hardware kits are not typically included in the Product Certification Test Protocols. Unless otherwise Specified, the Product Certifications referred to herein are predicated upon the base product model configuration.
- SOUND PRESSURE LEVEL: 97 ± 4 dB (A) @ 1.2m (4ft)
- VOLTAGE (NOMINAL): 12 VDC
- VOLTAGE (EXTREME): 9.0 to 16.0 VDC
- CURRENT (PEAK): 0.2 A (@ 12 VDC NOMINAL)
- POWER (MAXIMUM): 2 W (@ 12 VDC NOMINAL)
- TEMPERATURE RANGE: -40°F (-40°C) TO 185°F (85°C)
- FREQUENCY: 960 to 1440 Hz
- CONNECTION: 8 - 32 UNI STUD CONNECTION
- RECOMMENDED MOUNTING: 1/4 - 20 UNC, GRADE 5 OR BETTER, 1/4" TYPE A, SERIES N OR W WASHER
- HOUSING MATERIAL: GLASS FILLED NYLON
- PRODUCT WEIGHT: 0.8 LBS (0.36 Kg)

NOTES:
1. DIMENSIONS IN INCHES[MILLIMETERS(FOR REFERENCE)]

SCALE 1:1.5		APPROVALS	DATE	ECCO [®]
CAD GENERATED DRAWING DO NOT MANUALLY UPDATE. MODEL REFERENCED:E		DRAWN BY BND	2012-07-09	
TOLERANCES ARE IN INCHES, AND MILLIMETERS TOLERANCES ARE:		CHECKED MDH	2012-07-10	
MILLIMETERS DECIMALS XX. ± 1.0mm XX.X ± 0.5mm	INCHES DECIMALS X.X ± 0.1 X.XX ± 0.04 X.XXX ± 0.02	MECH. ENG. JLA	2012-07-09	ALARM, BACK-UP, 97DBA, 12VDC
		ELEC. ENG. JES	2012-07-09	
		TEST ENG. JRT	2012-07-11	
		SALES. DEH	2012-07-09	
			CUSTOMER PART NO. 510	PRODUCT SERIES: 500
NON DISCLOSURE AGREEMENT		SIZE: A	DWG. NO. 510	REV. G
THIRD ANGLE PROJECTION		Electronically Controlled Use Latest Copy		SHEET 1 OF 1
THIS DRAWING AND THE DESIGN IT DISCLOSES ARE THE PRIVATE PROPERTY OF ECCO AND IS ISSUED IN CONFIDENCE FOR ENGINEERING INFORMATION ONLY. THE DRAWING AND / OR DESIGN MAY NOT BE USED, COPIED, REPRODUCED, OR OTHERWISE DISCLOSED IN PART OR AS A WHOLE TO OUTSIDERS OR USED FOR ANY OTHER PURPOSE WITHOUT THE PRIOR WRITTEN CONSENT OF ECCO. THE DRAWING IS SUBJECT TO RECALL AT ANY TIME. YOUR POSSESSION OF THIS DOCUMENT CONSTITUTES ACCEPTANCE OF THESE TERMS. © 2004 ECCO		Project: CR# 602	Date Created: 2000-11-21	