





BEACONS | MINIBARS | LIGHTBARS | DIRECTIONALS | WORKLAMPS | UTILITY BARS | INTERIOR LIGHTING | CAMERA SYSTEMS

BACK-UP ALARMS

500 SERIES

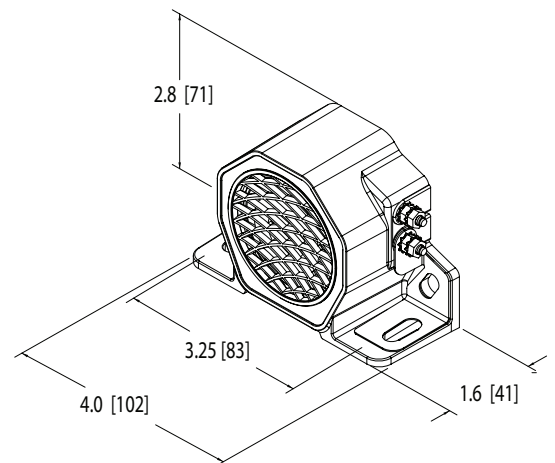
ECCO's most compact and popular line of back-up alarms, the 500 Series provides a cost-effective warning solution with ECCO quality and reliability. A glass-filled nylon housing with epoxy-encapsulated electronics provide exceptional durability and protection against moisture, dust and vibration. ECCO's 500 Series SmartAlarm® measures ambient noise and adjusts sound levels, creating a volume that is safe without being annoying or contributing to noise pollution. Smart Alarms eliminate the need for constant manual adjustment and help prevent intentional alarm disconnection.

Models

PART NO.	VOLTAGE	dB(A)	AMPS	APPROVALS
SA950 	12-24	82-102	0.4	CE, R10, UL, IP65
SA951 	12-48	77-97	0.2	CE, R10, UL
530	12-24	102	1.0	SAE Type F, CE, R10, UL, IP65
510	12	97	0.2	SAE Type C, CE, R10, UL, AMECA, IP65
520	12-24	97	0.2	SAE Type C, CE, R10, UL, AMECA, IP65
585	12-48	97	0.1	SAE Type C, CE, R10, UL, AMECA
505	12-24	87	0.1	SAE Type D, CE, R10, UL, AMECA, IP65
580	12-80	87	0.1	SAE Type D, CE, R10, UL, AMECA
575	12-24	107	0.9	SAE Type B CE, R10, UL

Features and Benefits

- Compact size and universal mounting bracket maximizes location options
- Self grounding (except 575)
- Sealed in epoxy for protection against dust, moisture, and vibration
- Temperature Range: -40°F to +185°F (-40°C to +85°C)
- 2 Year Warranty



Alarm Specifications

Connection: 8-32 uni stud connection
 Fiberglass reinforced nylon housing
 Recommended mounting bolt: 1/4" Grade 5
 Recommended washer: 1/4" Type A, Series N or W
 Recommended mounting torque: 76 in. lbs.