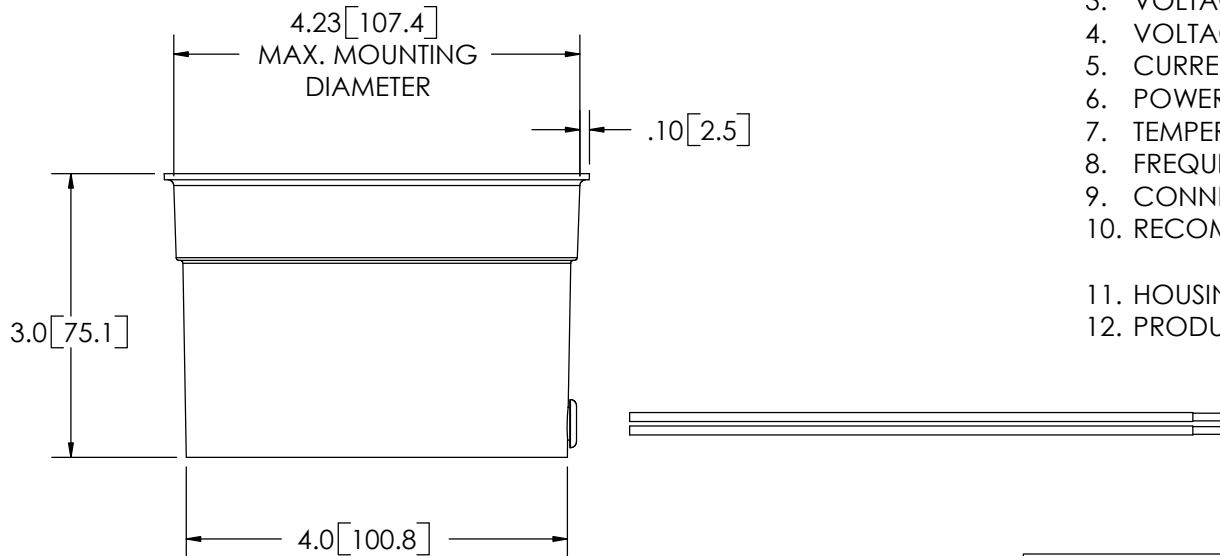
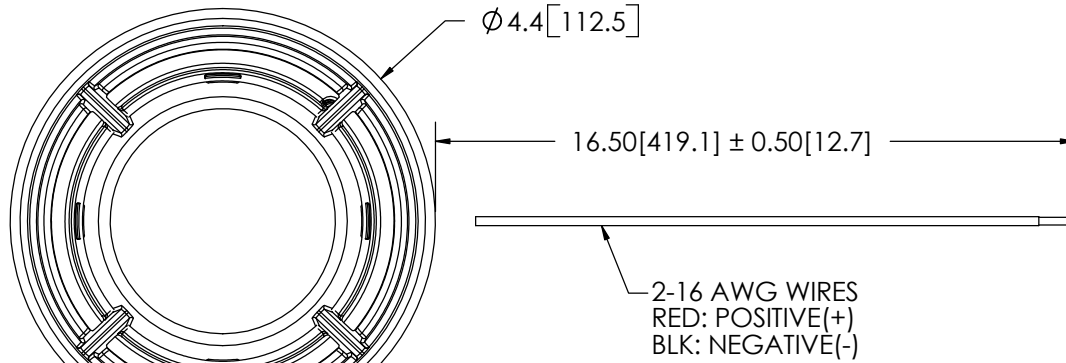


8 7 6 5 4 3 2 1

REVISION HISTORY		
REV.	DESCRIPTION	DATE
A	INITIAL RELEASE PER CR# 602	2000-12-21
B	CHANGED HOUSING PER P3# 03027	2004-08-11
C	ADDED e-MARK PER P3 #03027	2005-02-11



### SPECIFICATIONS

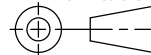
- CERTIFICATIONS: **CE**; e; AMECA/SAE J994 (OCT 2003), TYPE A  
 Note: Unique components, accessories, and hardware kits are not typically Included in the Product Certification Test Protocols. Unless otherwise Specified, the Product Certifications referred to herein are predicated upon the base product model configuration.
- SOUND PRESSURE LEVEL: 112 ± 4 dB (A) @ 1.2m (4ft)
- VOLTAGE (NOMINAL): 12 to 36 VDC
- VOLTAGE (EXTREME): 9.0 to 42.0 VDC
- CURRENT (NOMINAL): 0.4 A
- POWER (NOMINAL): 13 W
- TEMPERATURE RANGE: -40°F (-40°C) TO 185°F (85°C)
- FREQUENCY: 960 to 1440 Hz
- CONNECTION: 2-16 AWG WIRES
- RECOMMENDED MOUNTING: GROMMET MOUNTING, STANDARD 4 1/2" HOLE
- HOUSING MATERIAL: GLASS FILLED NYLON
- PRODUCT WEIGHT: 1.2 LBS

NOTES:  
 1. DIMENSIONS IN INCHES[MILLIMETERS (FOR REFERENCE)]

NON DISCLOSURE AGREEMENT  
 THIS DRAWING AND THE DESIGN IT DISCLOSES ARE THE PRIVATE PROPERTY OF ECCO AND IS ISSUED IN CONFIDENCE FOR ENGINEERING INFORMATION ONLY. THE DRAWING AND / OR DESIGN MAY NOT BE USED, COPIED, REPRODUCED, OR OTHERWISE DISCLOSED IN PART OR AS A WHOLE TO OUTSIDERS OR USED FOR ANY OTHER PURPOSE WITHOUT THE PRIOR WRITTEN CONSENT OF ECCO. THE DRAWING IS SUBJECT TO RECALL AT ANY TIME. YOUR POSSESSION OF THIS DOCUMENT CONSTITUTES ACCEPTANCE OF THESE TERMS. © 2005 ECCO

CAD GENERATED DRAWING  
 DO NOT MANUALLY UPDATE.  
 MODEL REFERENCED:C

THIRD ANGLE PROJECTION



APPROVALS		DATE
DRAWN BY	JCC	
CHECKED		
ELEC. ENG.		
MECH. ENG.		
TEST ENG.		
SALES		



**ALARM, BACK-UP, 112DBA, 12-36VDC**

Project: CR# 602		Date Created: 2000-12-21
SIZE	DWG. NO.	REV.
A	450	C
SCALE 1:2	PREPARED PER ASME 14.100M-1998 / ASME Y14.1-1995	SHEET 1 OF 1

8 7 6 5 4 3 2 1