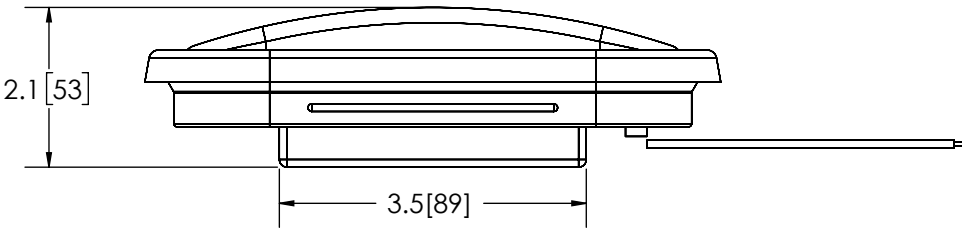
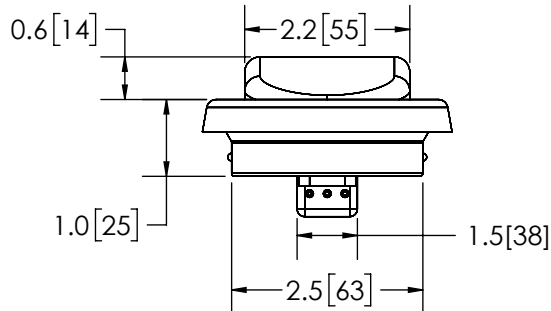


TOP VIEW



FRONT VIEW



RIGHT VIEW

NOTES:
 1. ROHS COMPLIANT
 2. DIMENSIONS IN INCHES[MILLIMETERS (FOR REFERENCE)]

PROPRIETARY AND CONFIDENTIAL INFORMATION
 THIS DRAWING AND THE DESIGN AND OTHER INFORMATION DISCLOSED HEREIN ARE THE PROPERTY OF ELECTRONIC CONTROLS COMPANY AND/OR ITS ECCO SAFETY GROUP AFFILIATES ("ECCO") AND IS ISSUED IN CONFIDENCE TO RECIPIENT FOR ENGINEERING INFORMATION PURPOSES ONLY. THIS DRAWING AND THE DESIGN AND OTHER INFORMATION DISCLOSED HEREIN MAY NOT BE USED, COPIED, REPRODUCED OR OTHERWISE DISCLOSED IN PART OR IN WHOLE TO THIRD PARTIES OR USED FOR ANY OTHER PURPOSE WITHOUT PRIOR ECCO WRITTEN CONSENT. ECCO RESERVES ALL PATENT, COPYRIGHT, TRADEMARK AND OTHER PROPRIETARY RIGHTS TO THIS DOCUMENT, INCLUDING ALL DESIGN, MANUFACTURING, REPRODUCTION, USE AND SALES RIGHTS THERETO. THIS DRAWING IS SUBJECT TO RECALL BY ECCO AT ANY TIME, AND YOUR POSSESSION AND/OR USE CONSTITUTES ACCEPTANCE OF THESE TERMS. ©2016 ELECTRONIC CONTROLS COMPANY

REVISION HISTORY		
REV.	DESCRIPTION	DATE
A	INITIAL RELEASE PER LM14263	2016-11-03
B	REVISED PER EL0136	2019-04-16
C	REVISED PER EL0136	2019-04-23

3-18 AWG WIRES STRIPPED
 RED - POSITIVE(+)
 BLACK - NEGATIVE(-)
 WHITE - MOMENTARY(-)
 FOR PATTERN SELECT

SPECIFICATIONS

- CERTIFICATIONS: SAE (SEE CHART) ; IP67
 Note: Unique components, accessories, and hardware kits are not typically Included in the Product Certification Test Protocols. Unless otherwise Specified, the Product Certifications referred to herein are predicated upon the base product model configuration.
- FLASH MODE: SINGLE : 115 ± 5 FLASHES PER MINUTE
 SINGLE : 230 ± 5 FLASHES PER MINUTE
 DOUBLE : 155 ± 5 FLASHES PER MINUTE
- VOLTAGE (NOMINAL): 12-24 VDC
- VOLTAGE (EXTREME): 10-30 VDC
- CURRENT (PEAK): SEE CHART (@ 12 VDC NOMINAL)
- POWER (MAXIMUM): SEE CHART (@ 12 VDC NOMINAL)
- TEMPERATURE RANGE: -40°F (-40°C) TO 158°F (70°C)
- CONNECTION: 3-18 AWG WIRES
- MOUNTING: GROMMET
- BASE MATERIAL: ABS
- LENS MATERIAL: POLYCARBONATE
- PRODUCT WEIGHT: 0.46 LBS (0.21 Kg)

FGS PRODUCT CHART				
FGS NO.	COLOR	CURRENT (PEAK) A	POWER (MAX) W	J595 (MAR 2014)
3965A	AMBER	0.25	3.2	CLASS 2
3965B	BLUE	0.51	6.5	CLASS 1
3965C	WHITE	0.24	1.5	CLASS 2
3965R	RED	1.1	3.5	CLASS 1

DISCLAIMER
 DIMENSIONS, ILLUSTRATIONS, SPECIFICATIONS, AND CERTIFICATIONS CONTAINED IN THIS DOCUMENT ARE TYPICAL OF THE ACTUAL PRODUCT AND ARE SUBJECT TO CHANGE. ECCO ENGINEERING DOES NOT MAINTAIN FORMAL DESIGN CONTROL OF THIS PRODUCT.

SCALE 1:2.5	APPROVALS	DATE			
CAD GENERATED DRAWING DO NOT MANUALLY UPDATE. MODEL REFERENCED: A+	DRAWN BY ABD	2019-04-17			
	TOLERANCES ARE IN INCHES AND MILLIMETERS TOLERANCES UNLESS OTHERWISE STATED ARE: MILLIMETERS DECIMALS XX. ± 1.0mm XX.X ± 0.5mm	CHECKED ABB	2019-04-18	LEDFLASHER, OVAL, GROMMET MOUNT, 12VDC	
INCHES DECIMALS X.X ± 0.1 X.XX ± 0.04 X.XXX ± 0.02	MECH. ENG. NMT	2019-04-23	CUSTOMER PART NO. SEE CHART		
ANGLES ± 0.5° FRACTIONS ± 1/64	ELEC. ENG. JES	2019-04-17	SIZE: A	DWG. NO. 3965X	REV. C
THIRD ANGLE PROJECTION 	TEST ENG. JRT	2019-04-23	Project: EC.4004		Date Created: 2016-07-21
	SALES. MD	2019-04-18	Electronically Controlled Use Latest Copy		