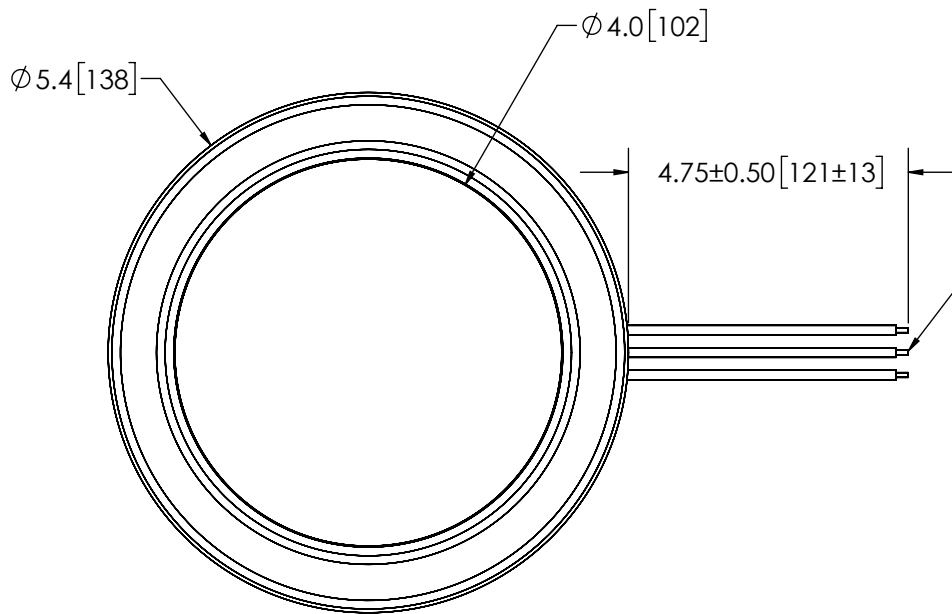


REVISION HISTORY		
REV.	DESCRIPTION	DATE
A	INITIAL RELEASE PER LM14263	2016-11-04
B	REVISED PER EL0136	2019-04-16
C	REVISED PER EL0136	2019-04-23

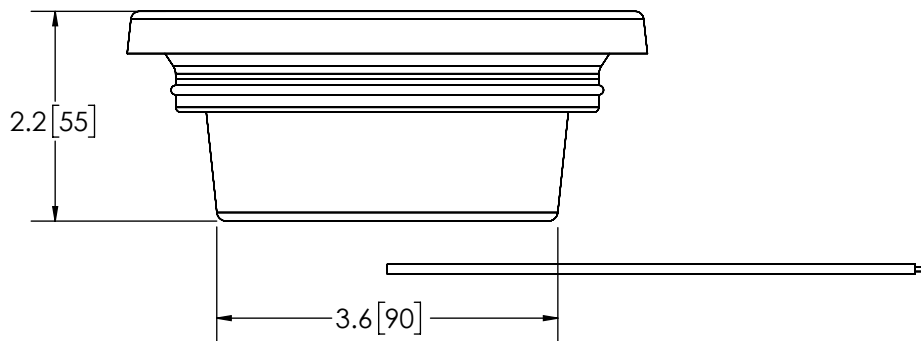


3-18 AWG WIRES STRIPPED AND TINNED
 RED - POSITIVE (+)
 BLACK - NEGATIVE (-)
 WHITE - MOMENTARY FOR PATTERN SELECT (-)

SPECIFICATIONS

- CERTIFICATIONS: SAE J595 (MAR 2014) CLASS 2; YELLOW IP67
 Note: Unique components, accessories, and hardware kits are not typically included in the Product Certification Test Protocols. Unless otherwise Specified, the Product Certifications referred to herein are predicated upon the base product model configuration.
- FLASH MODE: SINGLE : 115 ± 5 FLASHES PER MINUTE
 SINGLE : 230 ± 5 FLASHES PER MINUTE
 DOUBLE : 155 ± 5 FLASHES PER MINUTE
- VOLTAGE (NOMINAL): 12 to 24 VDC
- VOLTAGE (EXTREME): 10 to 30 VDC
- CURRENT (PEAK): SEE CHART (@ 12 VDC NOMINAL)
- POWER (MAXIMUM): SEE CHART (@ 12 VDC NOMINAL)
- TEMPERATURE RANGE: -40°F (-40°C) TO 158°F (70°C)
- CONNECTION: 3-18 AWG WIRES
- MOUNTING: GROMMET
- BASE MATERIAL: ABS
- LENS MATERIAL: POLYCARBONATE
- PRODUCT WEIGHT: 0.44 LBS (0.2 Kg)

TOP VIEW



FRONT VIEW

FGS PRODUCT CHART			
FGS NO.	COLOR	CURRENT (PEAK) A	POWER (MAX) W
3945A	AMBER	0.25	3.1
3945B	BLUE	0.27	3.5
3945C	CLEAR	0.25	3.2
3945R	RED	0.28	3.5

DISCLAIMER
 DIMENSIONS, ILLUSTRATIONS, SPECIFICATIONS, AND CERTIFICATIONS CONTAINED IN THIS DOCUMENT ARE TYPICAL OF THE ACTUAL PRODUCT AND ARE SUBJECT TO CHANGE. ECCO ENGINEERING DOES NOT MAINTAIN FORMAL DESIGN CONTROL OF THIS PRODUCT.

- NOTES:**
- ROHS COMPLIANT
 - DIMENSIONS IN INCHES[MILLIMETERS (FOR REFERENCE)]

PROPRIETARY AND CONFIDENTIAL INFORMATION

THIS DRAWING AND THE DESIGN AND OTHER INFORMATION DISCLOSED HEREIN ARE THE PROPERTY OF ELECTRONIC CONTROLS COMPANY AND/OR ITS ECCO SAFETY GROUP AFFILIATES ("ECCO") AND IS ISSUED IN CONFIDENCE TO RECIPIENT FOR ENGINEERING INFORMATION PURPOSES ONLY. THIS DRAWING AND THE DESIGN AND OTHER INFORMATION DISCLOSED HEREIN MAY NOT BE USED, COPIED, REPRODUCED OR OTHERWISE DISCLOSED IN PART OR IN WHOLE TO THIRD PARTIES OR USED FOR ANY OTHER PURPOSE WITHOUT PRIOR ECCO WRITTEN CONSENT. ECCO RESERVES ALL PATENT, COPYRIGHT, TRADEMARK AND OTHER PROPRIETARY RIGHTS TO THIS DOCUMENT, INCLUDING ALL DESIGN, MANUFACTURING, REPRODUCTION, USE AND SALES RIGHTS THEREON. THIS DRAWING IS SUBJECT TO RECALL BY ECCO AT ANY TIME, AND YOUR POSSESSION AND/OR USE CONSTITUTES ACCEPTANCE OF THESE TERMS. ©2016 ELECTRONIC CONTROLS COMPANY

SCALE 1:2		APPROVALS	DATE
CAD GENERATED DRAWING DO NOT MANUALLY UPDATE. MODEL REFERENCED: A+		DRAWN BY ABD	2019-04-17
		CHECKED ABB	2019-04-18
TOLERANCES ARE IN INCHES, AND MILLIMETERS TOLERANCES UNLESS OTHERWISE STATED ARE:		MECH. ENG. NMT	2019-04-23
		ELEC. ENG. JES	2019-04-17
MILLIMETERS DECIMALS XX. ± 1.0mm XX.X ± 0.5mm		TEST ENG. JRT	2019-04-23
		SALES. MD	2019-04-18
INCHES DECIMALS X.X ± 0.1 X.XX ± 0.04 X.XXX ± 0.02		FRACTIONS ± 1/64	
THIRD ANGLE PROJECTION			



LEDFLASHER, ROUND, GROMMET MNT, 12-24V

CUSTOMER PART NO. SEE CHART		PRODUCT SERIES: 3945	
SIZE: A	DWG. NO. 3945X	REV. C	
Electronically Controlled Use Latest Copy		SHEET 1 OF 1	Project: EC.4004 Date Created: 2016-07-14