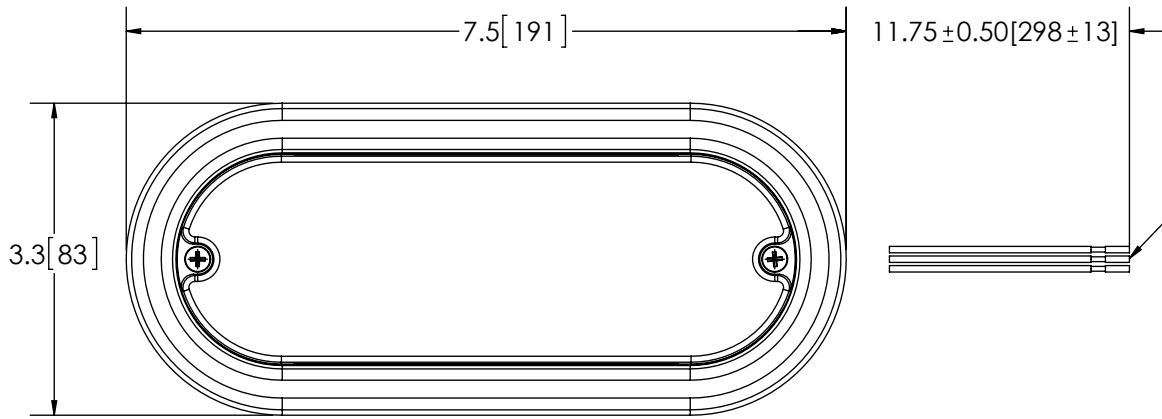


REVISION HISTORY		
REV.	DESCRIPTION	DATE
01	PRELIMINARY RELEASE PER P11052	2014-11-18
02	REVISED PER P11052	2014-11-24
A	INITIAL RELEASE PER P11052	2014-12-02

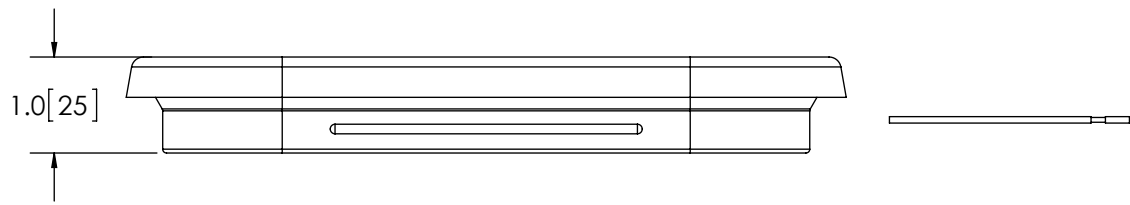


COLOR CHART	
FGS P/N	COLOR
3920A	AMBER
3920R	RED


3- 20 AWG WIRES
 RED: POS (+)
 BLACK: NEG (-)
 BLUE: PATTERN SELECT (+)

SPECIFICATIONS

- CERTIFICATIONS:
 Note: Unique components, accessories, and hardware kits are not typically included in the Product Certification Test Protocols. Unless otherwise Specified, the Product Certifications referred to herein are predicated upon the base product model configuration.
- FLASH MODE: DOUBLE : 115 ± 5 FLASHES PER MINUTE
 QUAD : 130 ± 5 FLASHES PER MINUTE
 DECI : 85 ± 5 FLASHES PER MINUTE
- VOLTAGE (NOMINAL): 12 VDC
- VOLTAGE (EXTREME): 9 to 16 VDC
- CURRENT (PEAK): 0.8A (@ 12 VDC NOMINAL)
- POWER (MAXIMUM): 10.2W (@ 12 VDC NOMINAL)
- TEMPERATURE RANGE: -22°F (-30°C) TO 122°F (50°C)
- CONNECTION: 3 - 20 AWG WIRES
- MOUNTING: GROMMET
- BASE MATERIAL: ALUMINUM
- LENS MATERIAL: POLYCARBONATE
- PRODUCT WEIGHT: 0.5 LBS (0.23 Kg)



NOTES:
 1. DIMENSIONS IN INCHES[MILLIMETERS (FOR REFERENCE)]

SCALE 1:2		APPROVALS	DATE		
CAD GENERATED DRAWING DO NOT MANUALLY UPDATE. MODEL REFERENCED:A		DRAWN BY SNS	2014-11-24		
TOLERANCES ARE IN INCHES, AND MILLIMETERS TOLERANCES ARE:		CHECKED MDH	2014-11-25		
MILLIMETERS DECIMALS XX. ± 1.0mm XX.X ± 0.5mm		MECH. ENG. JLA	2014-11-24		
INCHES DECIMALS X.X ± 0.1 X.XX ± 0.04 X.XXX ± 0.02		ELEC. ENG. TJT	2014-11-24	OVAL LED HEAD, WITH GROMMET CUSTOMER PART NO. SEE CHART	
ANGLES ± 0.5° FRACTIONS ± 1/64		TEST ENG. JRT	2014-12-02		
THIRD ANGLE PROJECTION		SALES. GLB	2014-11-25		
NON DISCLOSURE AGREEMENT		SIZE: A		DWG. NO. 3920X	REV. A
<small>THIS DRAWING AND THE DESIGN IT DISCLOSES ARE THE PRIVATE PROPERTY OF ECCO AND IS ISSUED IN CONFIDENCE FOR ENGINEERING INFORMATION ONLY. THE DRAWING AND / OR DESIGN MAY NOT BE USED, COPIED, REPRODUCED, OR OTHERWISE DISCLOSED IN PART OR AS A WHOLE TO OUTSIDERS OR USED FOR ANY OTHER PURPOSE WITHOUT THE PRIOR WRITTEN CONSENT OF ECCO. THE DRAWING IS SUBJECT TO RECALL AT ANY TIME. YOUR POSSESSION OF THIS DOCUMENT CONSTITUTES ACCEPTANCE OF THESE TERMS. © 2014 ECCO</small>		Electronically Controlled Use Latest Copy		SHEET 1 OF 1	Project: P11052
		Date Created: 2014-11-18			