

BEACONS | MINIBARS | LIGHTBARS | WORKLAMPS | UTILITY BARS | INTERIOR LIGHTING | BACK-UP ALARMS | CAMERA SYSTEMS

DIRECTIONALS

3911 / 3912 / 3920 / 3921 Series Surface & Grommet Mount

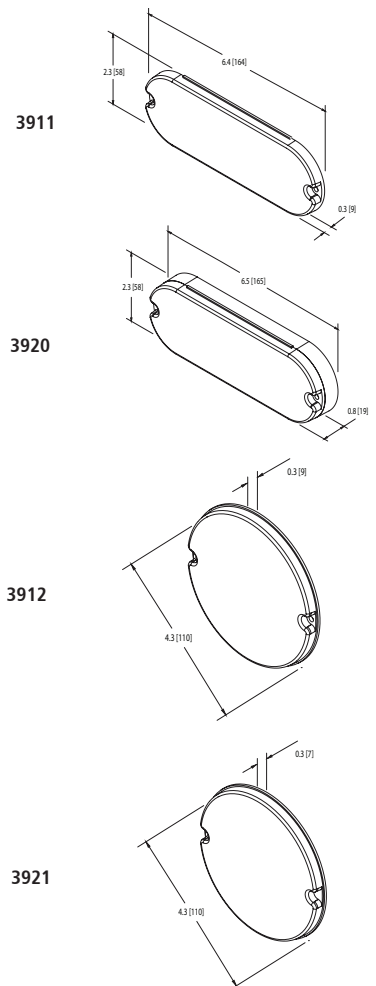
These versatile LEDs offer a choice of either oval or round shape and surface or grommet mounting. Comprised of 56 high intensity LEDs, these [lights](#) feature 15 flash patterns, are available in amber and red, and are covered by a 2-year warranty.

Features and Benefits

- 56 high intensity LEDs
- Extremely thin surface mount design
- 3920 and 3921 fit in standard oval or round rear lighting grommets (included).
- Simple three-wire hookup
- Warranty: 2 years

Flash Patterns (15)

- Quad
- Quint
- Mega
- Double
- Single
- Twin Single
- Twin Double
- Triple
- Twin Triple
- Twin Mega
- Triple Mega Bang
- Warble
- Phased Mega
- Single, Quad
- Cycle



Models

PART NO.	VOLTAGE	AMPS	MOUNT	SHAPE
3911X	12	0.8	Surface	Oval
3912X	12	0.8	Surface	Round
3920X	12	0.8	Grommet	Oval
3921X	12	0.8	Grommet	Round

Replace X in part number with desired color: A = amber, R = red

Accessories

- R2140GR Round grommet
- R2160GO Oval grommet
- A9894 Mounting box round
- A9895 Mounting box oval

