



DIRECTIONAL LEDS



3811 / 3861 SERIES

Surface / Grommet Mount

3811 and 3861 Series directional LEDs feature 20 high-intensity LEDs with individual reflectors to provide truly outstanding light output in a very cost-effective package. Single- or dual-color models provide synchronization capability, and are available in either surface- or grommet-mount configurations—offering fit-and-forget, maintenance-free operation and low amp draw.

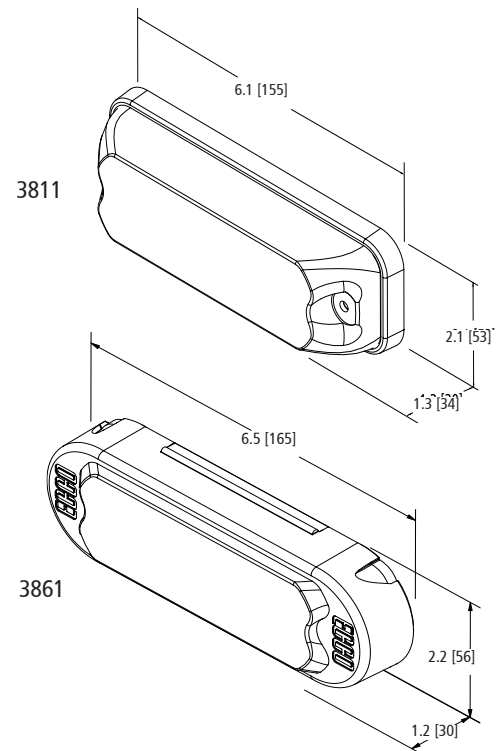
Models

PART NO.	TYPE	MOUNT	ILLUMINATION COLOR OPTIONS
3811X	Single	Surface	■ A ■ B ■ C ■ R
3811AC	Dual	Surface	■ AC
3861X	Single	Grommet	■ A ■ B ■ C ■ R
3861AC	Dual	Grommet	■ AC

Replace "X" in part number with desired color: A=amber, B=blue, C=clear, R=red

Design Features

- 12-24 VDC, 0.4 Amps
- Tough, clear polycarbonate housing with encapsulated electronics
- 7 flash patterns for single-color and 41 flash patterns for dual-color
- Sync-capable with additional 3811/3861
- Discrete units are colorless when not illuminated
- Grommet-mount versions fit standard oval rear lighting grommet
- Temperature Range: -40°F to +158°F (-40°C to +70°C)



Accessories

GROMMET
3860ADPT



OVAL GROMMET MOUNTING BOX
A9895



OVAL GROMMET
R2160GO

