

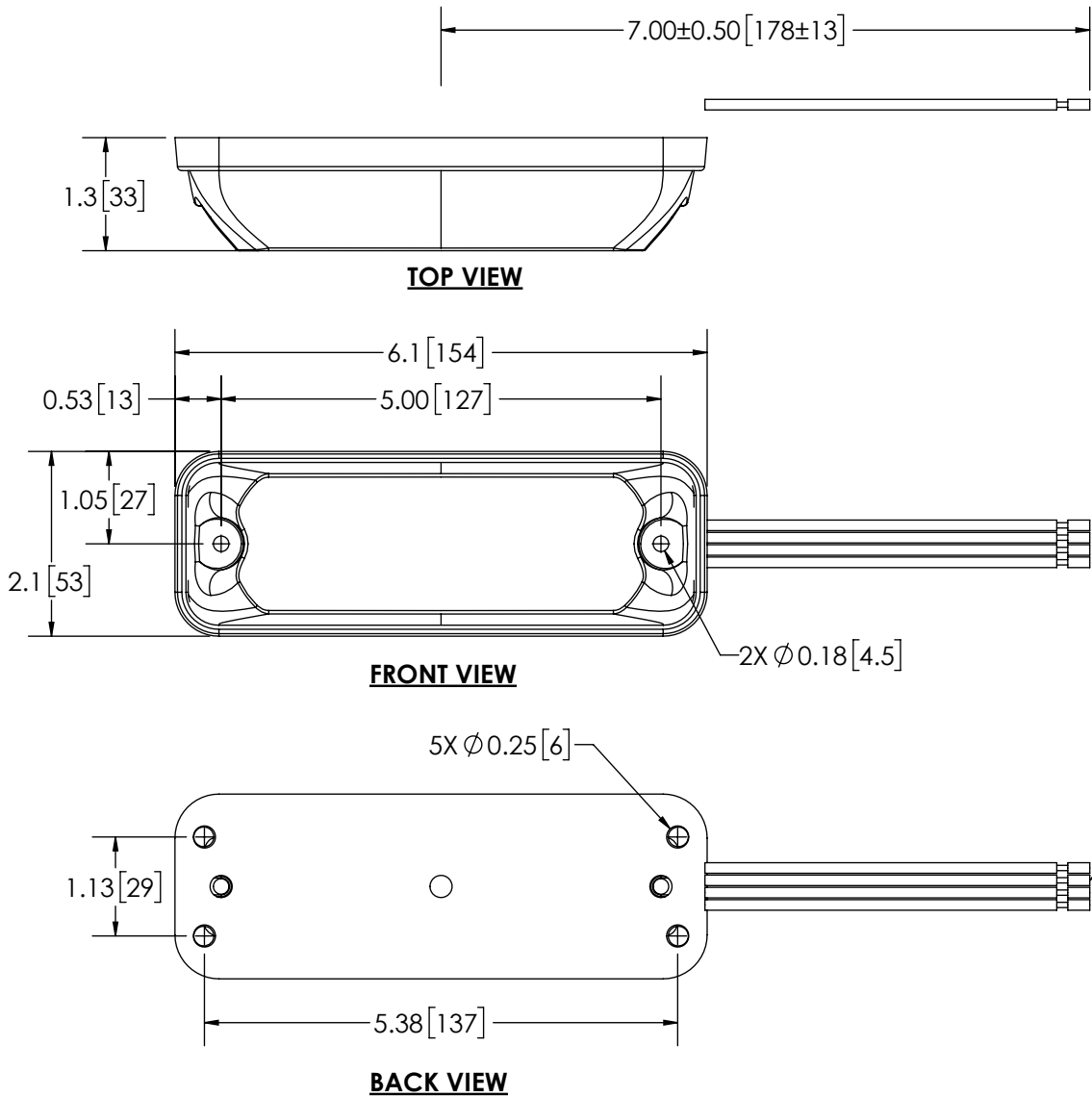
REVISION HISTORY	
REV.	DESCRIPTION
A	INITIAL RELEASE PER LM11233
B	REVISE PER LM11233
C	REVISE PER EL0111

### SPECIFICATIONS

- CERTIFICATIONS: **CE**; ECE R10; SAE J595 (NOV. 2008), CLASS 1; SEE CHART  
 Note: Unique components, accessories, and hardware kits are not typically included in the Product Certification Test Protocols. Unless otherwise Specified, the Product Certifications referred to herein are predicated upon the base product model configuration.
- FLASH MODE: SINGLE : 75 ± 5 FLASHES PER MINUTE  
 DOUBLE : 75 ± 5 FLASHES PER MINUTE  
 QUAD : 75 ± 5 FLASHES PER MINUTE
- VOLTAGE (NOMINAL): 12-24 VDC
- VOLTAGE (EXTREME): 9-32 VDC
- CURRENT (PEAK): SEE CHART (@ 12 VDC NOMINAL)
- POWER (MAXIMUM): SEE CHART (@ 12 VDC NOMINAL)
- TEMPERATURE RANGE: -22°F (-30°C) TO 122°F (50°C)
- CONNECTION: 4-22 AWG WIRES
- MOUNTING: 2 BOLT MOUNT
- BASE MATERIAL: POLYCARBONATE
- LENS MATERIAL: POLYCARBONATE
- PRODUCT WEIGHT: 0.3 LBS (0.14 Kg)

4-22 AWG WIRES  
 RED - POSITIVE(+)  
 BLACK - NEGATIVE(-)  
 YELLOW - SYNC  
 BLUE - FLASH PATTERN(-)

FG PRODUCT CHART				
FG P/N	COLOR	CURRENT (PEAK)	POWER (PEAK)	CA T13
3811A	AMBER	0.3	4.3	X
3811B	BLUE	0.4	4.9	X
3811C	CLEAR	0.4	4.9	-
3811R	RED	0.3	4.3	X



- NOTES:  
 1. ROHS COMPLIANT  
 2. DIMENSIONS IN INCHES[MILLIMETERS (FOR REFERENCE)]

PROPRIETARY AND CONFIDENTIAL INFORMATION  
 THIS DRAWING AND THE DESIGN AND OTHER INFORMATION DISCLOSED HEREIN ARE THE PROPERTY OF ELECTRONIC CONTROLS COMPANY AND/OR ITS ECCO SAFETY GROUP AFFILIATES ("ECCO") AND IS ISSUED IN CONFIDENCE TO RECIPIENT FOR ENGINEERING INFORMATION PURPOSES ONLY. THIS DRAWING AND THE DESIGN AND OTHER INFORMATION DISCLOSED HEREIN MAY NOT BE USED, COPIED, REPRODUCED OR OTHERWISE DISCLOSED IN PART OR IN WHOLE TO THIRD PARTIES OR USED FOR ANY OTHER PURPOSE WITHOUT PRIOR ECCO WRITTEN CONSENT. ECCO RESERVES ALL PATENT, COPYRIGHT, TRADEMARK AND OTHER PROPRIETARY RIGHTS TO THIS DOCUMENT, INCLUDING ALL DESIGN, MANUFACTURING, REPRODUCTION, USE AND SALES RIGHTS THERETO. THIS DRAWING IS SUBJECT TO RECALL BY ECCO AT ANY TIME, AND YOUR POSSESSION AND/OR USE CONSTITUTES ACCEPTANCE OF THESE TERMS. ©2013 ELECTRONIC CONTROLS COMPANY

SCALE 1:2.1		APPROVALS	
CAD GENERATED DRAWING DO NOT MANUALLY UPDATE. MODEL REFERENCED: A		DRAWN BY ABD	
TOLERANCES ARE IN INCHES, AND MILLIMETERS TOLERANCES UNLESS OTHERWISE STATED ARE:		CHECKED ABB	
MILLIMETERS DECIMALS XX. ± 1.0mm XX.X ± 0.5mm	INCHES DECIMALS X.X ± 0.1 X.XX ± 0.04 X.XXX ± 0.02	MECH. ENG. NMT	
	ANGLES ± 0.5°	ELEC. ENG. GCJ	
	FRACTIONS ± 1/64	TEST ENG. JRT	
THIRD ANGLE PROJECTION		SALES. BPL	
		CUSTOMER PART NO. SEE CHART	
Electronically Controlled Use Latest Copy		PRODUCT SERIES: 3800	
SHEET 1 OF 1		SIZE: A	DWG. NO. 3811X
Project: LM11233		REV. C	
Date Created:			



### LED HEAD, RECTANGLE, 12-24V