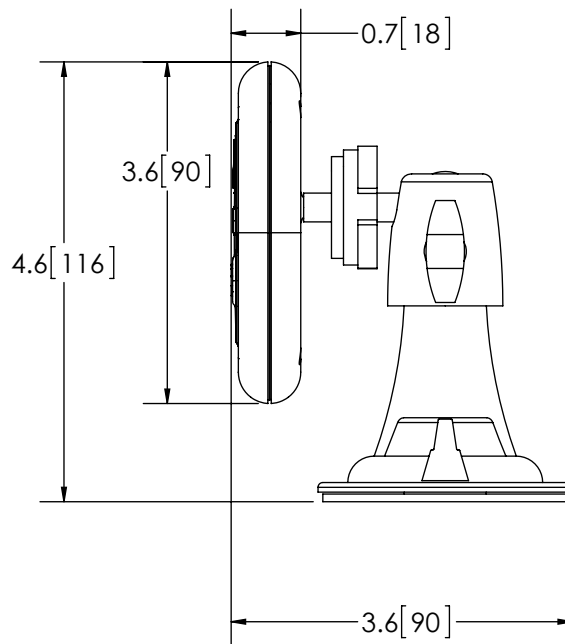
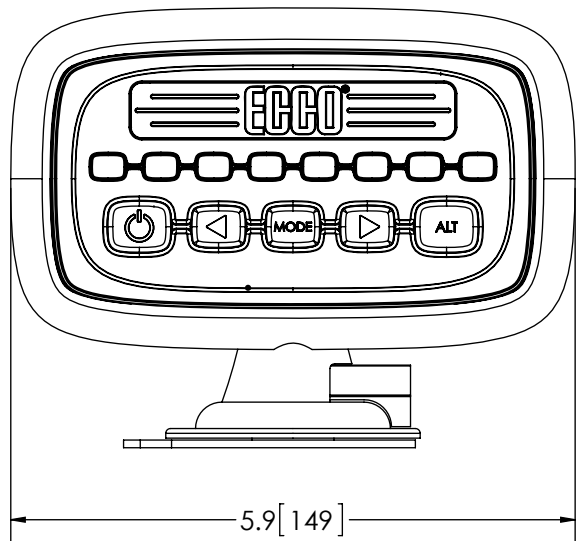


REVISION HISTORY		
REV.	DESCRIPTION	DATE
02	REVISED PER P10002	2013-03-12
03	REVISED PER P10002	2013-03-13
A	INITIAL RELEASE PER P10002	2013-03-18



NOTES:

1. WIRE NOT SHOWN FOR CLARITY
2. USE ONLY WITH COMPATIBLE SAFETY DIRECTOR
3. DIMENSIONS IN INCHES[MILLIMETERS (FOR REFERENCE)]

SCALE 1:2			APPROVALS	DATE	ECCO®
CAD GENERATED DRAWING DO NOT MANUALLY UPDATE. MODEL REFERENCED:A			DRAWN BY JDT	2013-03-13	
			CHECKED BND	2013-03-14	
TOLERANCES ARE IN INCHES, AND MILLIMETERS TOLERANCES ARE:			MECH. ENG. JLA	2013-03-13	SAFETY DIRECTOR, CONTROL BOX, 12V
MILLIMETERS DECIMALS	INCHES DECIMALS	ANGLES	ELEC. ENG. TJT	2013-03-13	
XX. ± 1.0mm XX.X ± 0.5mm	X.X ± 0.1 X.XX ± 0.04 X.XXX ± 0.02	ANGLES ± 0.5° FRACTIONS ± 1/64	TEST ENG. JRT	2013-03-14	
			SALES. GLB	2013-03-14	
NON DISCLOSURE AGREEMENT			CUSTOMER PART NO. 3410CB		PRODUCT SERIES: ACCESSORY
THIRD ANGLE PROJECTION 			SIZE: A	DWG. NO. 3410CB	REV. A
			Electronically Controlled Use Latest Copy		

THIS DRAWING AND THE DESIGN IT DISCLOSES ARE THE PRIVATE PROPERTY OF ECCO AND IS ISSUED IN CONFIDENCE FOR ENGINEERING INFORMATION ONLY. THE DRAWING AND / OR DESIGN MAY NOT BE USED, COPIED, REPRODUCED, OR OTHERWISE DISCLOSED IN PART OR AS A WHOLE TO OUTSIDERS OR USED FOR ANY OTHER PURPOSE WITHOUT THE PRIOR WRITTEN CONSENT OF ECCO. THE DRAWING IS SUBJECT TO RECALL AT ANY TIME. YOUR POSSESSION OF THIS DOCUMENT CONSTITUTES ACCEPTANCE OF THESE TERMS. © 2013 ECCO