



MINIBARS



DuoBEAM™ SERIES SAE Class I LED Minibars

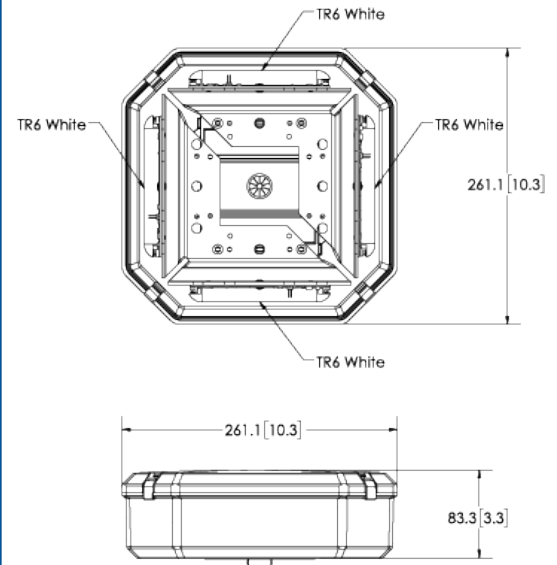
The DuoBeam Series provide the ultimate level of power, versatility and style available in an LED beacon. The latest high-intensity LEDs produce a powerful, SAE Class I warning signal in a square housing that also offer premium features, including multiple flash patterns and synchronization capability. Featuring 12 VDC operation and 19 flash patterns (single-color or dual-color), the DuoBeam Series is suitable for a wide range of applications where a high-intensity SAE Class I light is required. Each unit is backed by a 3-year warranty.

Models

| PART NO. | TYPE/STACK | AMPS | LENS/ILLUMINATION | MOUNT |
|------------|-------------|------|-------------------|---------------|
| 21-DB001-E | TR6/Single | 2.0 | Amber | Carriage Bolt |
| 21-DB002-E | TR6/Single | 2.0 | Clear | Carriage Bolt |
| 21-DB003-E | TR6/Single | 2.0 | Clear/Amber | Carriage Bolt |
| 21-DB004-E | TR6/Double | 4.0 | Amber/Amber/Amber | Carriage Bolt |
| 21-DB005-E | TR6/Double | 4.0 | Clear/Clear/Clear | Carriage Bolt |
| 21-DB006-E | TR6/Double | 4.0 | Clear/Amber/Amber | Carriage Bolt |
| 21-DB007-E | TR6/Double | 4.0 | Clear/Amber/Clear | Carriage Bolt |
| 27-DB001-E | REF8/Single | 6.4 | Amber | Carriage Bolt |
| 27-DB002-E | REF8/Single | 6.4 | Clear | Carriage Bolt |
| 27-DB003-E | REF8/Single | 6.4 | Clear/Amber | Carriage Bolt |

Features and Benefits

- 19 flash patterns (single-color or dual-color)
- Standard lightbar mounting
- 3 mounting options
- 15' cable
- 12 VDC
- Temperature Range: -22°F to +122°F (-30°C to +50°C)



Parts & Accessories

- EZ21DBPM - Pylon Mount
- EZ21DBMIR - Mirror Mount
- EZ21DBMG - Magnet Mount