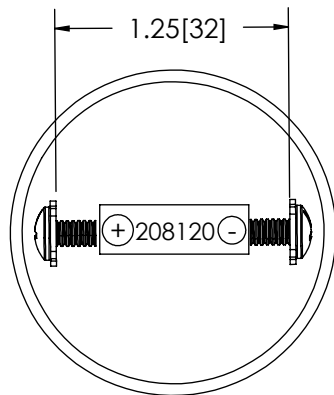
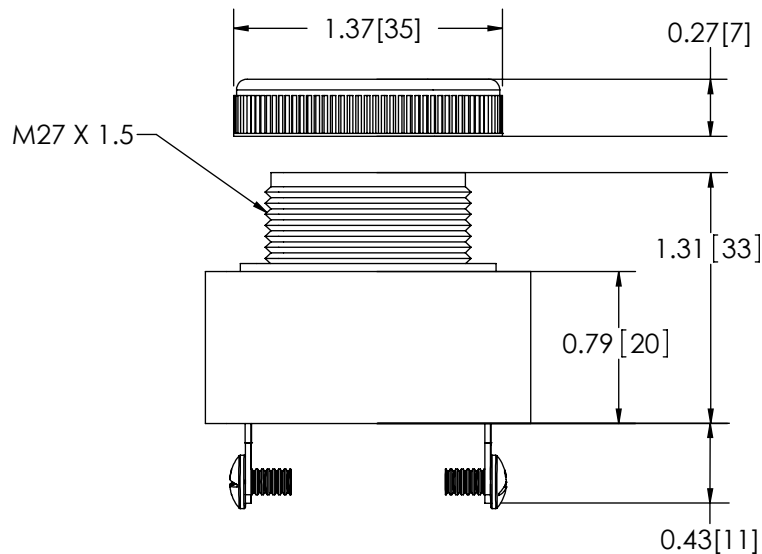
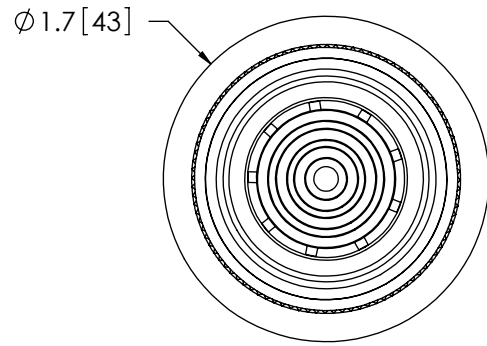


REVISION HISTORY

REV.	DESCRIPTION	DATE
D	REVISED PER EC2905	2009-10-29
E	REVISE PER EC3020	2011-08-18
F	REVISE PER EC3020	2011-09-16




SPECIFICATIONS

- CERTIFICATIONS: NONE
Note: Unique components, accessories, and hardware kits are not typically included in the Product Certification Test Protocols. Unless otherwise Specified, the Product Certifications referred to herein are predicated upon the base product model configuration.
- SOUND PRESSURE LEVEL: MIN 86 dB(A) @ 12 VDC @ 30cm (Approx. 1ft)
- VOLTAGE (RANGE): 12 to 36 VDC (dB INCREASES WITH VOLTAGE)
- CURRENT (PEAK): LESS THEN OR EQUAL TO 20 mA @ 12 VDC NOMINAL
- POWER (MAXIMUM): 1 W @ 12 VDC NOMINAL
- TEMPERATURE RANGE: 22°F (-30°C) TO 76°F (80°C)
- FREQUENCY: 2900 ± 500 Hz
- CONNECTION: 1/4" MALE SPADE W/M3 – 0.5X6mm SCREWS
- RECOMMENDED MOUNTING: FLANGE
- HOUSING MATERIAL: PBT
- PRODUCT WEIGHT: 0.1 LBS (Kg)

DISCLAIMER

Dimensions, Illustrations, Specifications, and Certifications contained in this document are typical of the actual product and are subject to change. ECCO Engineering does not maintain formal Design control of this product.

NOTES:
1. DIMENSIONS IN INCHES[MILLIMETERS (FOR REFERENCE)]

SCALE 1:1		APPROVALS		DATE		 AUDIBLE SIGNAL, LOUD CONSTANT, 12-36V, SCRW			
CAD GENERATED DRAWING DO NOT MANUALLY UPDATE. MODEL REFERENCED: B		DRAWN BY	MDH	2011-09-12				CUSTOMER PART NO. 208120	
		CHECKED	BND	2011-09-13					
TOLERANCES ARE IN INCHES, AND MILLIMETERS TOLERANCES ARE:		MECH. ENG.	JLA	2011-09-12		SIZE: A DWG. NO. 208120 SHEET 1 OF 1 Project: CR# 1862 Date Created: 2005-02-14			
MILLIMETERS DECIMALS	INCHES DECIMALS	ANGLES	ELEC. ENG.	JES	2011-09-14			REV.	
XX. ± 1.0mm XX.X ± 0.5mm	X.X ± 0.1 X.XX ± 0.04 X.XXX ± 0.02	± 0.5° FRACTIONS ± 1/64	TEST ENG.	JRT	2011-09-12				F
THIRD ANGLE PROJECTION		SALES.	DEH	2011-09-13					

THIS DRAWING AND THE DESIGN IT DISCLOSES ARE THE PRIVATE PROPERTY OF ECCO AND IS ISSUED IN CONFIDENCE FOR ENGINEERING INFORMATION ONLY. THE DRAWING AND / OR DESIGN MAY NOT BE USED, COPIED, REPRODUCED, OR OTHERWISE DISCLOSED IN PART OR AS A WHOLE TO OUTSIDERS OR USED FOR ANY OTHER PURPOSE WITHOUT THE PRIOR WRITTEN CONSENT OF ECCO. THE DRAWING IS SUBJECT TO RECALL AT ANY TIME. YOUR POSSESSION OF THIS DOCUMENT CONSTITUTES ACCEPTANCE OF THESE TERMS. © 2005 ECCO

