



EARL'S LS Water Pump to -20 AN Adapter Kit
P/N LS0005ERL
Instruction Sheet 199R10712

Features:

- Adapts inlet and outlet to -20 AN
- Upgraded earlier LS water pumps to the less restrictive late model thermostats
- Billet aluminum and stainless steel components
- Anodized protection on aluminum components

Application:

Works with all LS water pumps (requires thermostat upgrade on early LS water pumps). See **Figure 1** to determine if your application already has the required thermostat. If a replacement thermostat is needed, purchase a replacement thermostat for any model of 2013 Corvette (GM P/N 89018168).

Parts included:

- 20 AN stainless steel weld-on adapter (Qty. 1)
- 20 AN thermostat housing adapter (Qty. 1)
- O-ring/spacer plate for early applications (Qty. 1)
- Mounting bolts (Qty. 2).

Tools needed:

- 10mm wrench
- Welding equipment

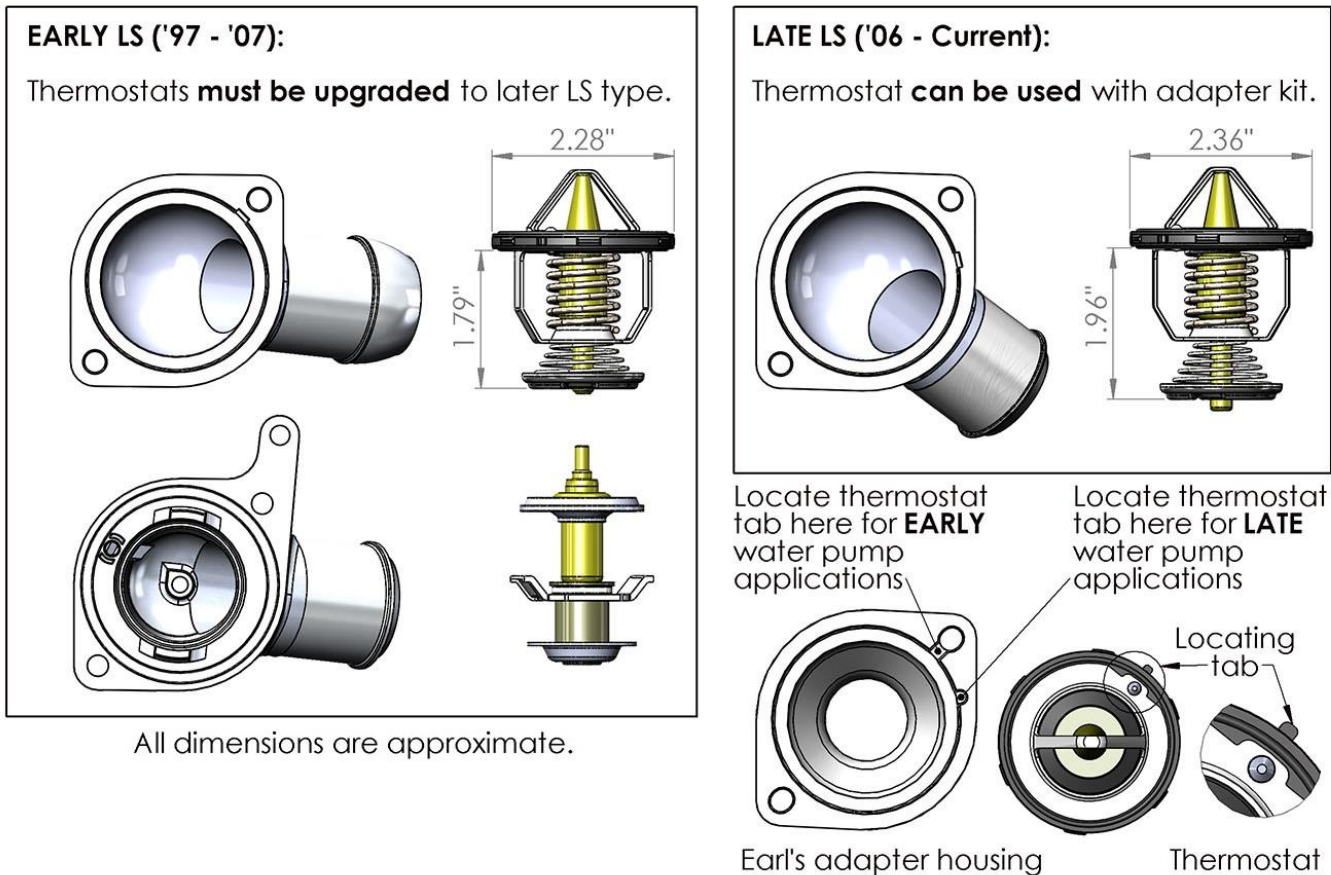


Figure 1

Thermostat housing:

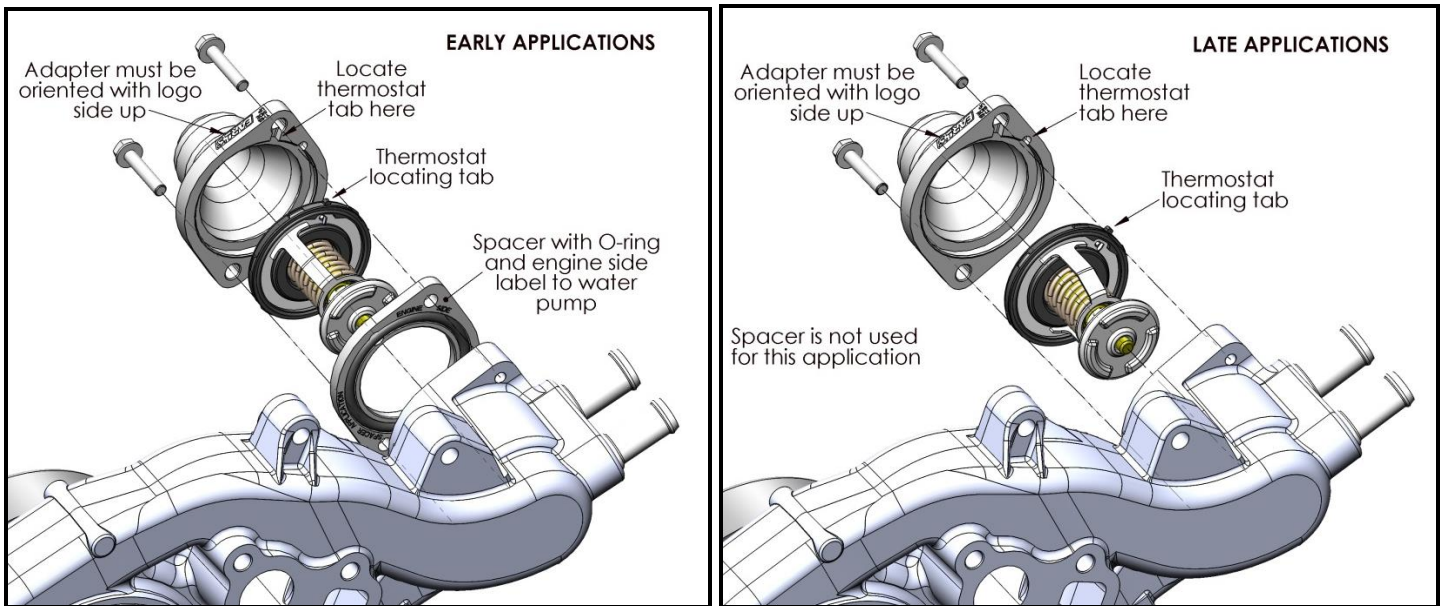


Figure 2

NOTE: Let engine cool before draining coolant.

NOTE: The spacer is only used in EARLY applications.

NOTE: Torque bolts to 11 ft./lbs.

Weld On Adapter:

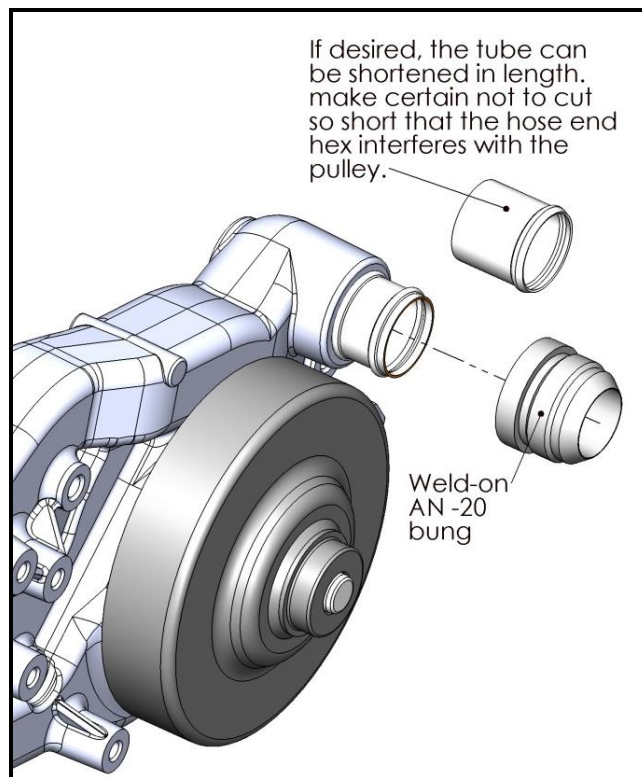


Figure 3