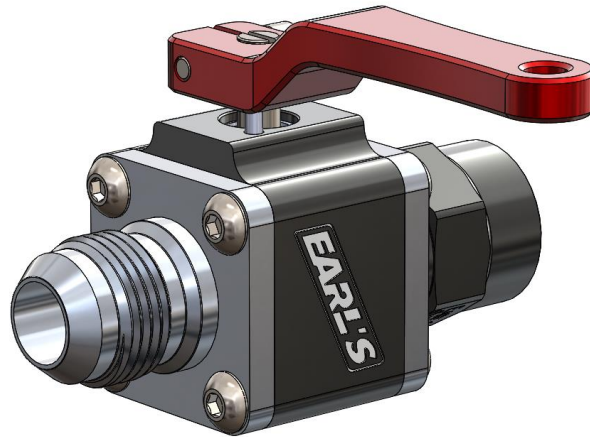




ULTRAPRO SHUT-OFF VALVES INSTRUCTIONS

230506ERL, 230508ERL, 230510ERL, 230512ERL, 230706ERL, 230708ERL, 230710ERL, & 230712ERL



This manual presents step-by-step instructions that describe the process of disassembling, servicing, and reassembling your Earl's Ultrapro Shut-Off Valve. These procedures provide a framework for the installation and operation of your shut-off valve. Parts are referenced by name and number to avoid confusion. Within the instructions, you are advised of potential hazards, pitfalls, and problems to avoid. The following examples explain the various hazard levels:

WARNING! Failure to comply with instructions may result in injury or death.

CAUTION! Failure to comply with instructions may result in damage to equipment.

NOTE: This information is important, needs to be emphasized, and is set apart from the rest of the text.

HINT: These special instructions provide a handy work tip.

TABLE OF CONTENTS

End Cap Disassembly.....	2
Servicing PTFE Seals & O-Rings.....	2
Panel Mount Bracket Installation	3

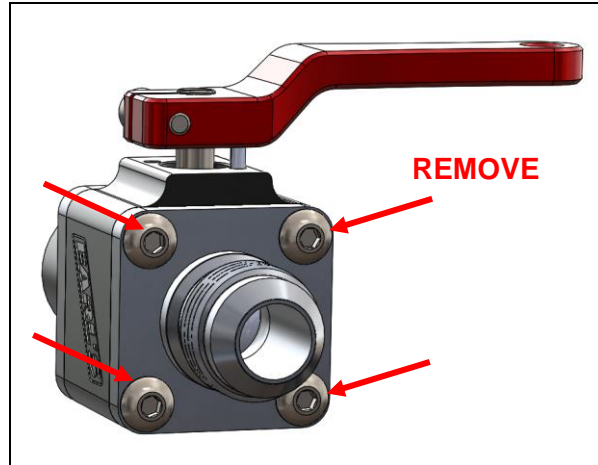
End Cap Disassembly

Your Earl's Ultrapro Shut-off valve is comprised of 3 main components; the body and the 2 end caps follow the below guide to replace or disassemble these parts.

- a. Begin by removing the valve from the vehicle by disconnecting the hoses. Bring valve to a clean work area.

CAUTION! Ensure that the fluid system is not pressurized when removing the valve. Failure to do so may result in injury.

- b. Close the valve by turning the handle until it is perpendicular to the flow of the fluid.
- c. Remove the four stainless steel screws holding the end cap on.

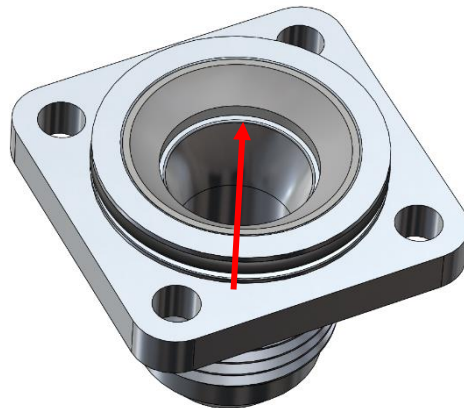


- d. Once the screws have been removed, pull on the end cap to remove it from the body.
- e. Repeat this process on the opposite side to remove the other end cap if required.

CAUTION! The ball will now be loose and may fall out. Use caution when removing both end caps.

Servicing PTFE Seals & O-Rings

The end caps of your Earl's Ultrapro Shut-Off Valve contain the PTFE seals and O-rings responsible to controlling the fluid flow. These may wear over time and require servicing.



- a. Once you have removed the end caps, flip them over to expose the PTFE seals and O-rings.

- b. To remove the PTFE seal, simply pry up on the seal from the bottom using a pick or small screw driver. To remove the O-ring, use a small pick or screw driver to pull the O-ring up and around the groove.
- c. Once the PTFE Seals and/or O-rings have been removed, simply use your fingers to install the new PTFE Seals and/or O-Rings back into their locations. The PTFE Seal will require a little effort since they are designed to be a slight press fit.

NOTE: Newly purchased end caps will have new PTFE seals and O-rings already pre-installed so you may skip this step.

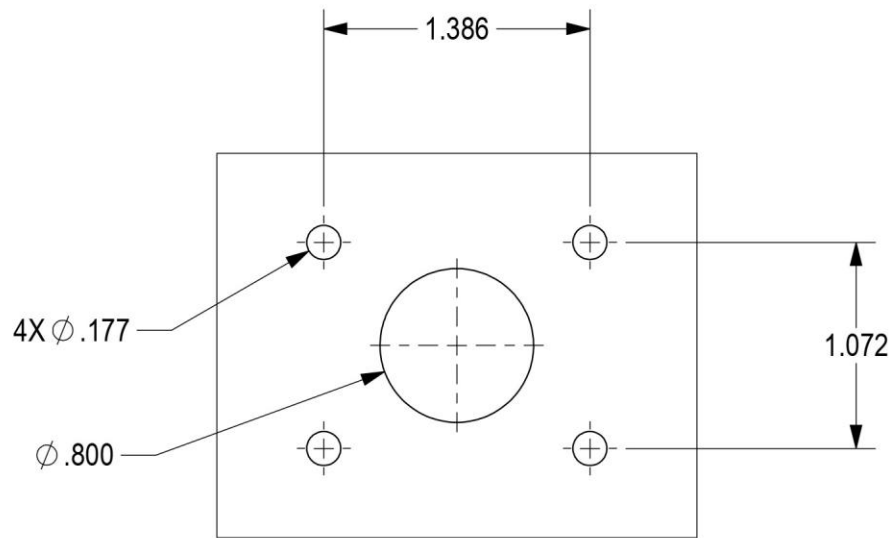
Panel Mount Bracket Installation

- a. To install the panel mount brackets, simply follow the end cap disassembly guide. However, stop after you have removed the screws.
- b. Place your panel mount brackets onto the end caps as shown below, and orient the brackets as desired.



- c. Finally, reinstall the stainless steel hardware you removed from the end caps. Be sure to apply medium strength thread locker onto the threads and torque to 24 in-lbs.
- d. **See page 4 for a template to mount the shut-off valve onto a surface.**

MOUNTING PATTERN FOR 230506ERL, 230508ERL, 230706ERL, & 230708ERL VALVES



MOUNTING PATTERN FOR 230510ERL, 230512ERL, 230710ERL, & 230712ERL VALVES

