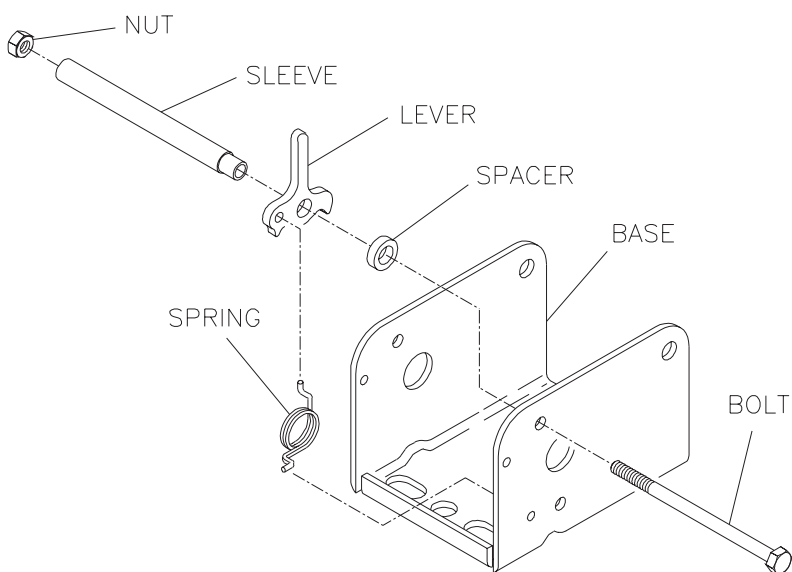


# Ratchet Repair Kit

## Installation Instructions

**Tools needed: Two 7/16" wrenches.**

1. Prior to disassembly, carefully study how the ratchet mechanism is assembled, especially the lever and spring.
2. Remove and discard old parts.
3. Assemble lever and spacer onto sleeve the same way as the old parts.
4. Hook one end of the spring through the hole in the lever as shown.
5. Position these parts into base while inserting other end of spring into hole in base. Take care not to damage the spring.
6. Install bolt and nut as shown and tighten until snug.
7. Insure proper operation before using winch.



**USA**