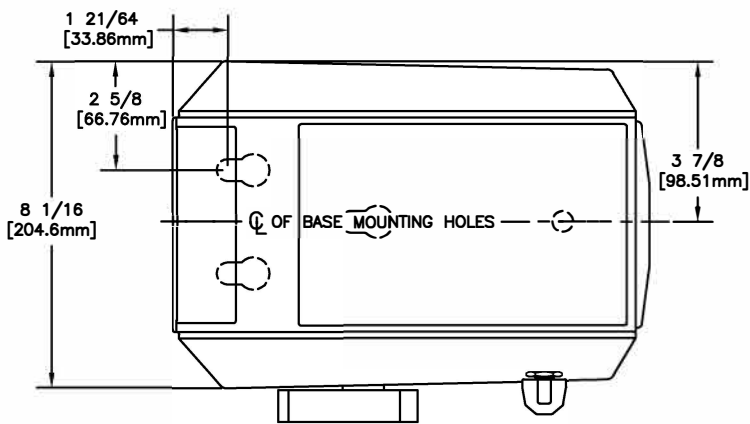
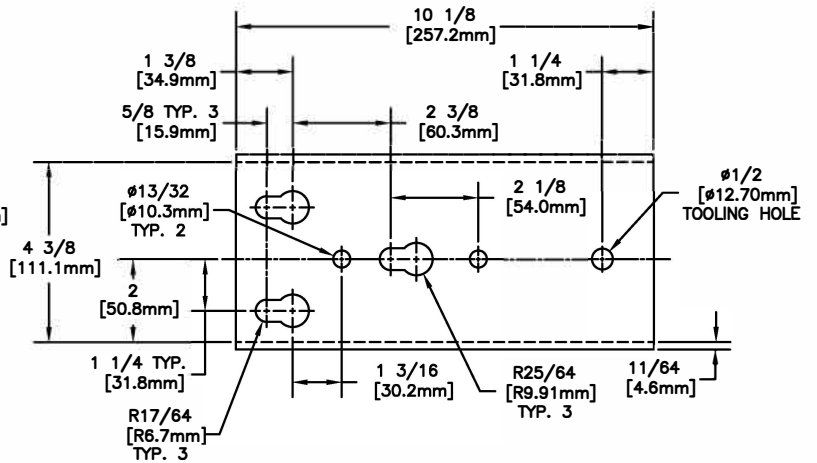


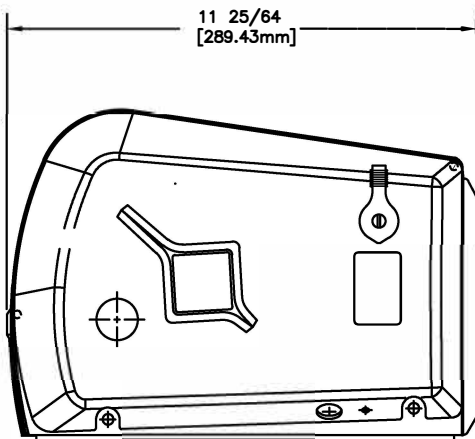
MODEL
TW9000DC
3000lb/1362kg CAPACITY
StrongArm ELECTRIC WINCH



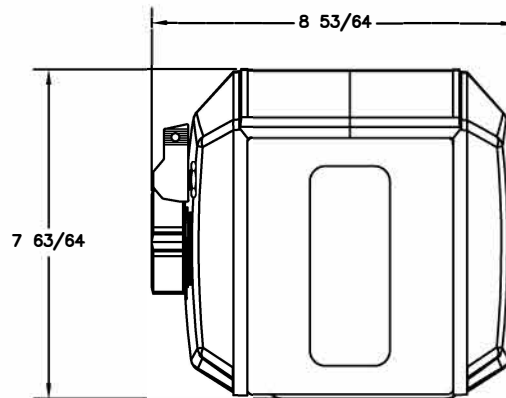
TOP VIEW



BASE HOLE PATTERN



SIDE VIEW



FRONT VIEW