

**DLx1200, DLx1500, DLx1900, DLx2300**



# **PULLING WINCHES**



U.S. Patent 6116580  
Canadian Patent 2378538

**Model #DLx1200**



**MADE IN  
USA**



**WARNING** READ INSTRUCTIONS CAREFULLY BEFORE ATTEMPTING TO INSTALL, OPERATE OR SERVICE THIS WINCH. FAILURE TO COMPLY WITH INSTRUCTIONS COULD RESULT IN SERIOUS OR FATAL INJURY. RETAIN THESE INSTRUCTIONS FOR FUTURE REFERENCE.



## IMPORTANT SAFETY INFORMATION

- This winch is built for multi-purpose hauling and pulling operations. It is not recommended for lifting applications. For lifting, use a self-locking winch. DLx winches are not to be used as hoists for lifting, supporting or transporting people or for loads over areas where people could be present.
- Respect this winch. High forces are created when using a winch, creating potential safety hazards. It should be operated and maintained in accordance with instructions. Never allow children or anyone who is not familiar with the operation of the winch to use it.
- Maintain a firm grip on the winch handle at all times, and never release the handle when ratchet lever is in unlocked position with a load on the winch. Otherwise, handle will spin violently, which could cause personal injury.
- Check for proper ratchet operation on each use of the winch. Do not use if damaged. Seek immediate repairs.
- Never use the winch handle as a convenient handle for pulling or maneuvering the entire trailer or other equipment. Never pull on the winch handle against a locked ratchet.
- Never exceed rated capacity. Excess load may cause premature failure and could result in serious personal injury. This winch is rated with three layers of line on the hub. Using more layers of line or a large hub increases the load on the winch.
- Never apply load on winch with line fully extended. Keep at least three full turns of line on the reel.
- Secure load properly. When winching operation is complete, do not depend on winch to support load.
- Operate with hand power only. This winch should not be operated with a motor of any kind. If the winch cannot be cranked easily with one hand, it is probably over-loaded.

## WINCH MAINTENANCE

This winch has been fully lubricated at the factory; but, for continued smooth performance and increased life, occasional greasing of gears and reel shaft and an occasional drop of oil on drive shaft bearings are recommended.

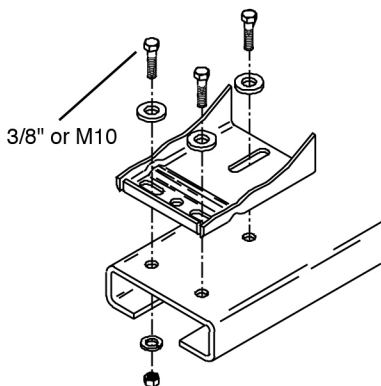
Keep winch in good working order. Damaged or severely-worn parts create unnecessary dangers and could result in personal injury or property damage.

## WINCH MOUNTING AND CABLE ATTACHMENT

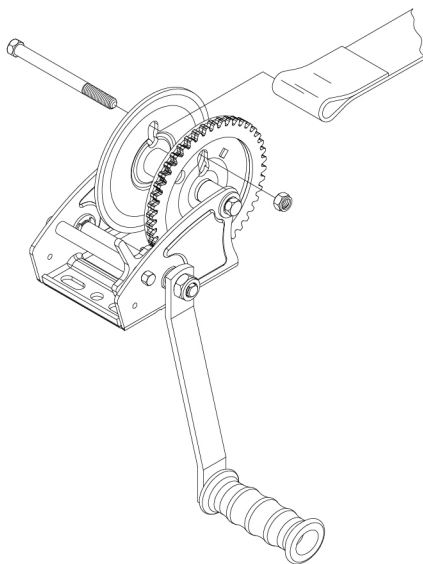
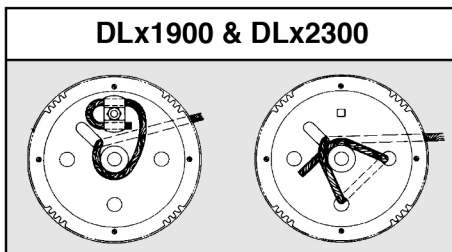
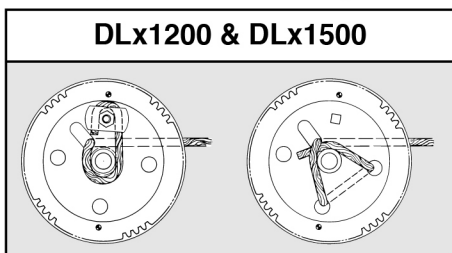
For maximum strength and safety, (and compliance with SAE Standard J1853) this winch should be mounted with three 3/8" or M10 bolts, washers, and lock washers.

Select a winch line with breaking strength at least 1-1/2 times the winch rating and a hook 1-1/2 times stronger than the line. If steel cable is selected, the optional reel with large hub may extend cable life. (The above combination meets SAE Standard J1853 for boat trailer winches).

Attach cable or rope by either method described in sketch. If nylon strap is used, it should have a loop sewn in one end and be attached using a 3/8" x 3" long bolt and locknut. Use a locknut, not a nut and lockwasher. Insert bolt through slots in both reel sideplates so that nut is on gear side. Tighten only until snug with bolt in bottom of slot next to reel hub.



### CABLE ATTACHMENT METHODS (IF CABLE IS USED)

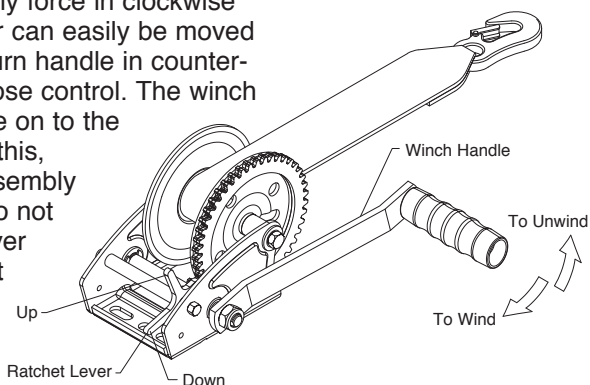


Model	Rated Capacity	Drum Hub Dia.	Gear Ratio	Handle Length	Max Mech. Adv.	Maximum Drum Capacity	
						Cable	Strap
DLx1200	1200 lb/544 kg	7/8"	4.4:1	7"	56	7/32" x 56'	31'
DLx1500	1500 lb/680 kg	7/8"	4.4:1	9-1/2"	74	1/4" x 40'	31'
DLx1900	1900 lb/862 kg	1-1/8"	5.4:1	9-1/2"	73	9/32" x 49'	38'
DLx2300	2300 lb/1043 kg	1-1/8"	7.2:1	9-1/2"	95	5/16" x 39'	38'

## OPERATING INSTRUCTIONS

### DLx1200, DLx1500 & DLx1900

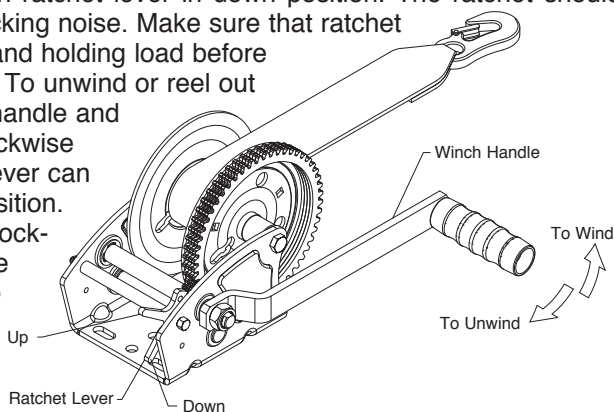
HANDLE AND NUT MUST BE TIGHTENED AGAINST DRIVE SHAFT BEFORE OPERATING WINCH. Wind line on winch reel by turning winch handle in clockwise direction with ratchet lever in up position. The ratchet should produce a loud, sharp clicking noise. Make sure that ratchet lever is in up position and holding load before winch handle is released. To unwind or reel out line, securely grip winch handle and apply force in clockwise direction so that ratchet lever can easily be moved to down position. Carefully turn handle in counter-clockwise direction. Do not lose control. The winch can be converted to wind line on to the underside of the reel. To do this, carefully examine ratchet assembly and remove it from winch. Do not lose small parts. Turn the lever over and reassemble. Do not over tighten bolt. Check operation to insure the ratchet lever rotates fully without binding.



## OPERATING INSTRUCTIONS

### DLx2300

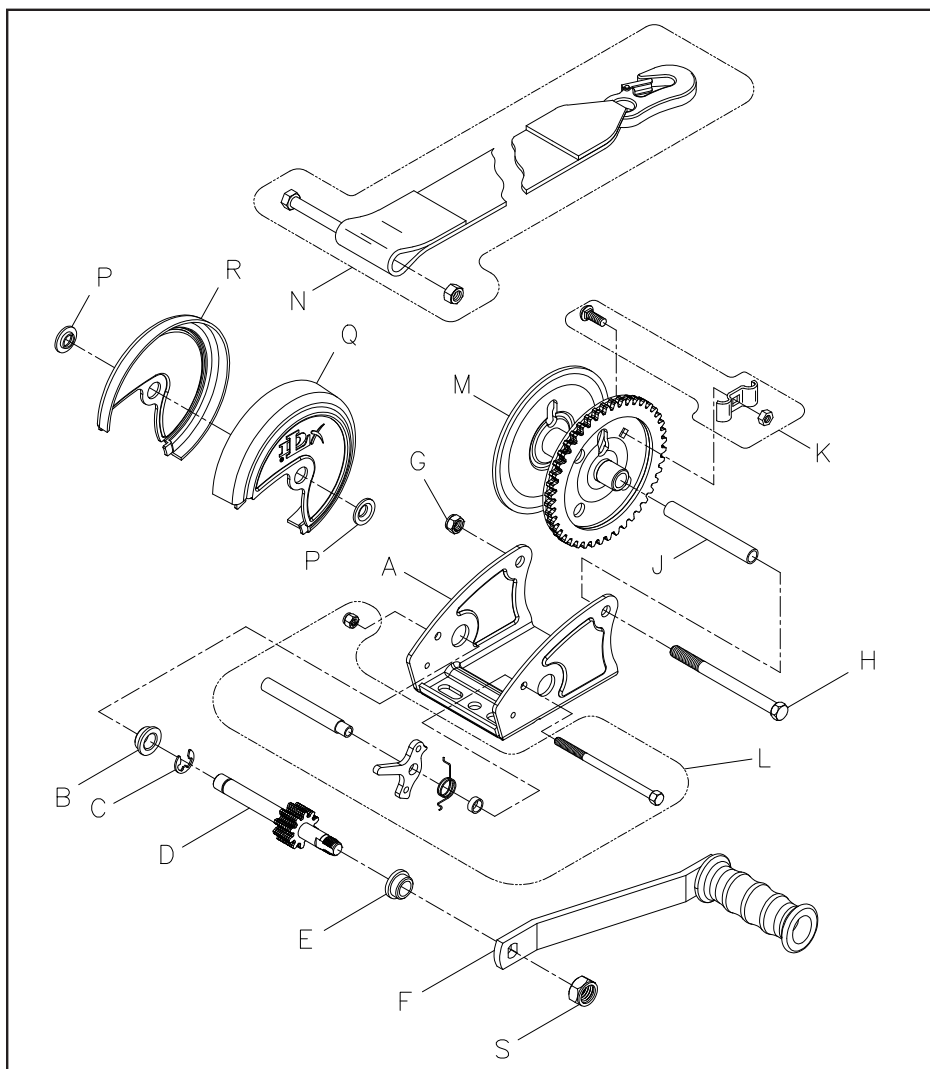
HANDLE AND NUT MUST BE TIGHTENED AGAINST DRIVE SHAFT BEFORE OPERATING WINCH. Wind line on winch reel by turning winch handle in counter-clockwise direction with ratchet lever in down position. The ratchet should produce a loud, sharp clicking noise. Make sure that ratchet lever is in down position and holding load before winch handle is released. To unwind or reel out line, securely grip winch handle and apply force in counter-clockwise direction so that ratchet lever can easily be moved to up position. Carefully turn handle in clockwise direction. Do not lose control. The winch can be converted to wind line on to the underside of the reel. To do this, carefully examine ratchet assembly and remove it from winch. Do not lose small parts. Turn the lever over and reassemble. Do not over tighten bolt. Check operation to insure the ratchet lever rotates fully without binding.



**NOT FOR THE MOVEMENT OF HUMAN BEINGS**



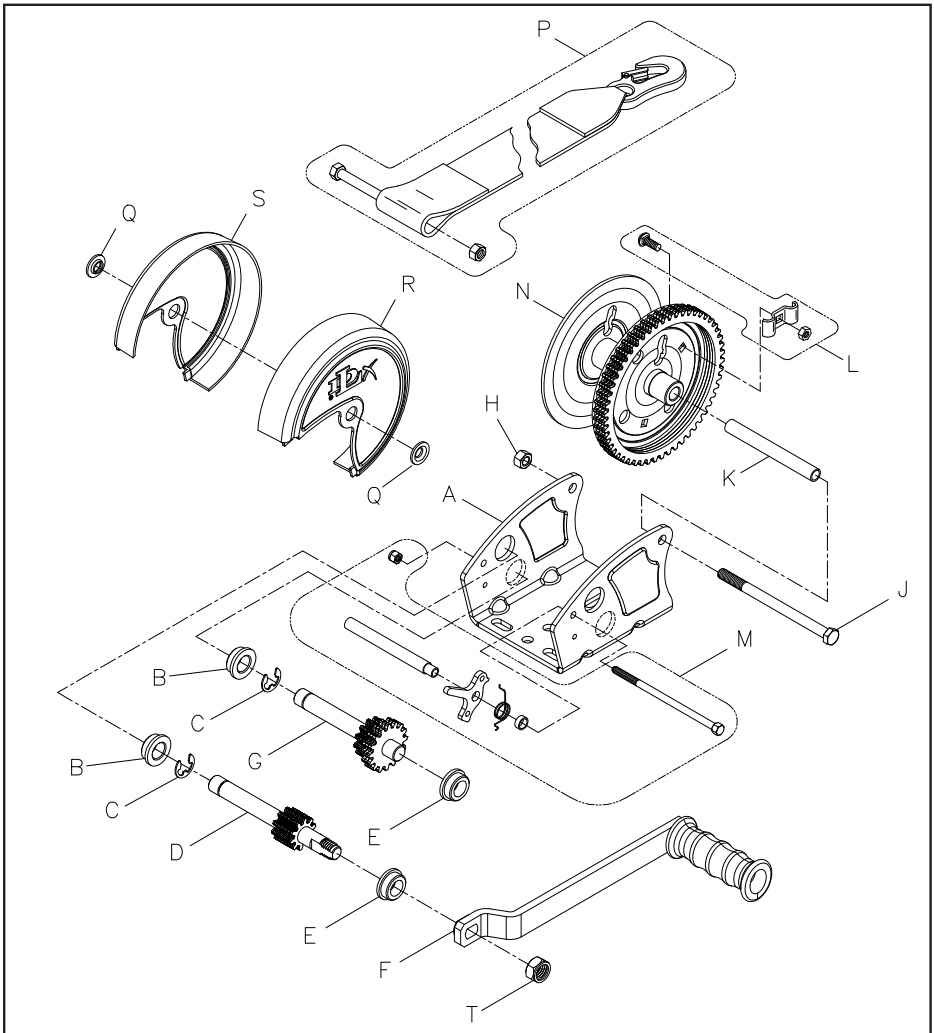
# DLx1200 & DLx1500



Ref.	Description	Part. No.	Ref.	Description	Part. No.
A	Base - DLx1200	406196	J	Reel Spacer	204807
A	Base - DLx1500	406195	K	Rope Clamp Kit (Opt.)	5243506
B	Bushing	204006	L	Ratchet Kit	5704556
C	Retaining Ring	205012	M	Reel - DLx1200	304723-PL
D	Drive Shaft	304722	M	Reel - DLx1500	306278
E	Bushing	204007	N	Strap, 20 ft.	5242607
F	DLx1200 Handle 7"	306269	P	Cover Washer	404916
F	DLx1500 Handle 9-1/2"	306268	Q	Reel Cover - Right	206710
G	Locknut	204803	R	Reel Cover - Left	206709
H	Reel Bolt	203161	S	Nut	205015

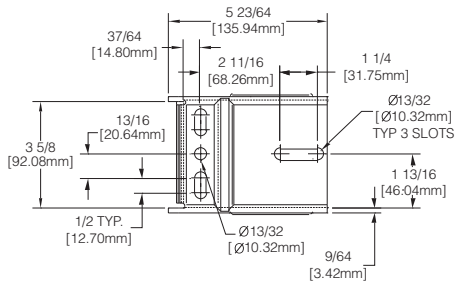


# DLx1900 & DLx2300

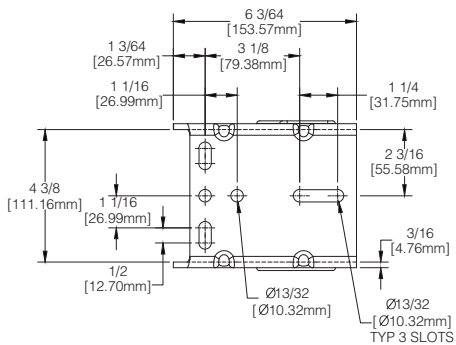


Ref.	Description	Part. No.	Ref.	Description	Part. No.
A	Base - DLx1900	406191	J	Reel Bolt - DLx2300	205335
A	Base - DLx2300	406192	K	Spacer	204808
B	Bushing	204009	L	Rope Clamp Kit (Opt.)	5243506
C	Retaining Ring	205116	M	Ratchet Kit	5704754
D	Drive Shaft - DLx1900	304731	N	Reel	304779-PL
D	Drive Shaft - DLx2300	306258	P	Strap, Opt. - 20'	5242607
E	Bushing - DLx1900	204009	P	Strap, Opt. - 25'	5242482
E	Bushing - DLx2300	204012	Q	Spacer Washer	404916
F	Handle 9-1/2"	306267	R	Right Gear Cover	206708
G	Drive Shaft - DLx2300	306259	S	Left Gear Cover	206707
H	Locknut 3/8"	205270	T	Nut	204809
J	Reel Bolt - DLx1900	204804	N	Large Hub Reel	306124

## DLx1200 & DLx1500



## DLx1900 & DLx2300



## LIMITED FIVE (5) YEAR WARRANTY

Dutton-Lainson Company provides the following five (5) year limited warranty to the **original consumer purchaser** of D-L® ratchet winches, brake winches and worm gear winches.

Dutton-Lainson Company will, at its option, repair or replace free-of-charge any part or parts found to be defective in material or workmanship under normal use for the period of five (5) years from the original purchase date or, if that date cannot be established, the date of manufacture. This includes a warranty against operational failure for the same five year period due to rust or corrosion of the TUFFPLATE® finish. This warranty is void if the product is not installed and used in accordance with the operating instructions, has been subject to alteration or damage, or is defective due to service or repair. This warranty does not assure that the product shall remain useable for the five (5) year warranty period since the life of the product is dependent upon the manner and frequency of use.

Repair or replacement is the purchaser's sole remedy under this or any other warranty on the product, whether express or implied. **Dutton-Lainson Company shall not be liable for any incidental or consequential damages of any kind. Dutton-Lainson Company expressly disclaims any implied warranty of merchantability or fitness for particular purpose after the five (5) year warranty period.** Some states do not allow the exclusion or limitation of incidental or consequential damages and some states do not allow limitation on how long an implied warranty lasts, so the above exclusions and limitations may not apply to you.