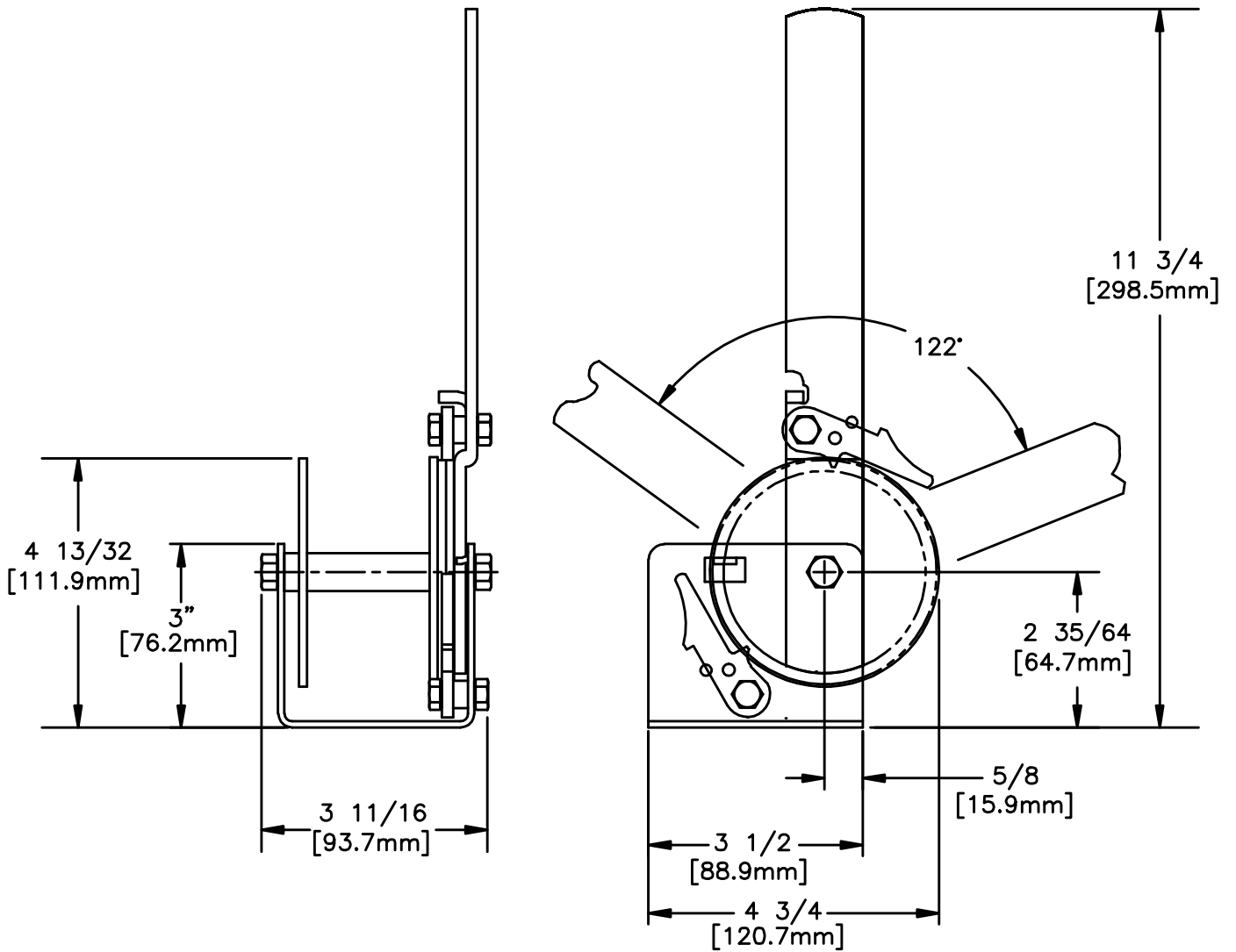


FRONT & SIDE VIEW

MODEL DL400
400lb/181kg CAPACITY
PULLING WINCH



BASE HOLE PATTERN

