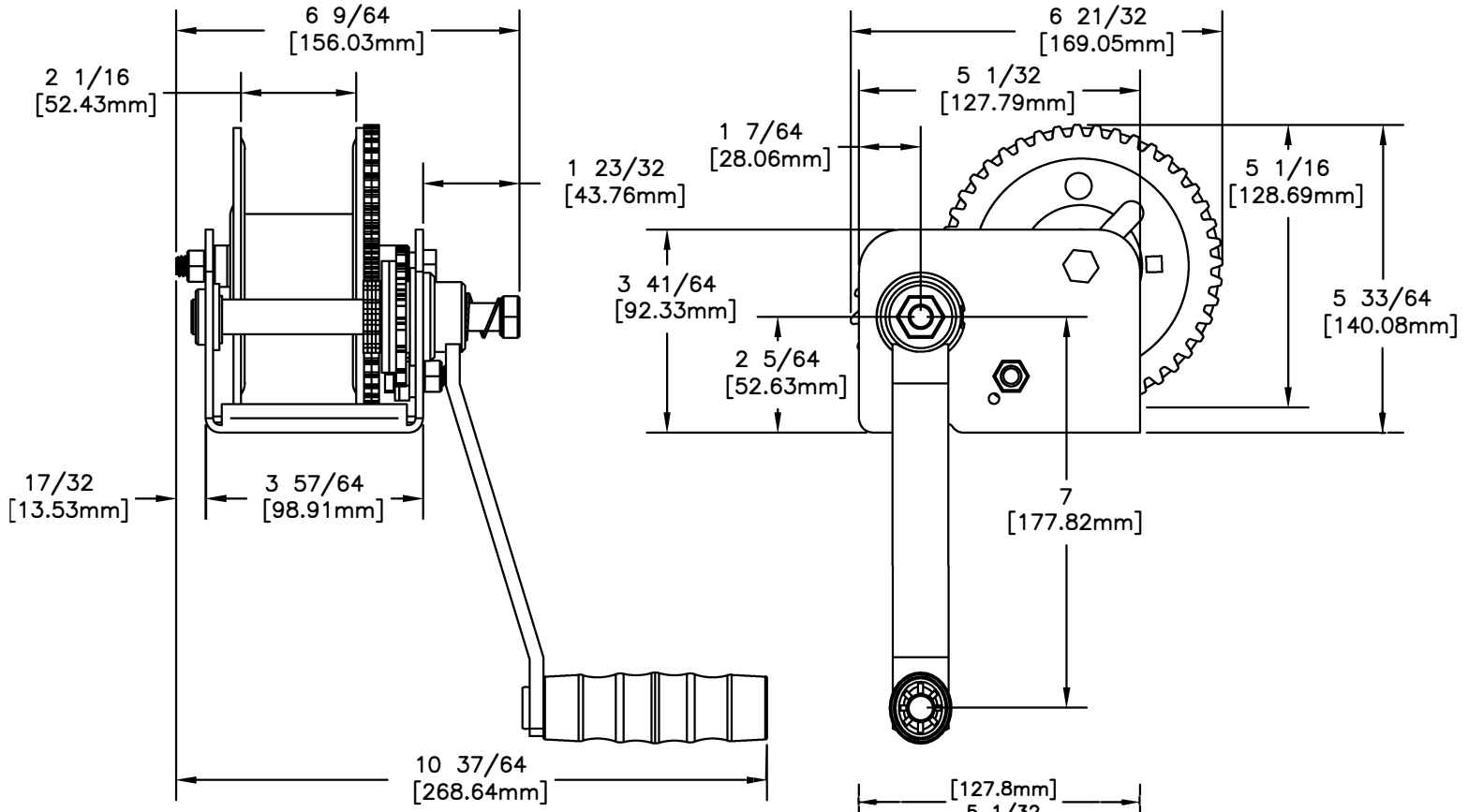


FRONT & SIDE VIEW

MODEL
DLB800A/DLB805A
800lb/363kg CAPACITY
BRAKE WINCH



BASE HOLE PATTERN

