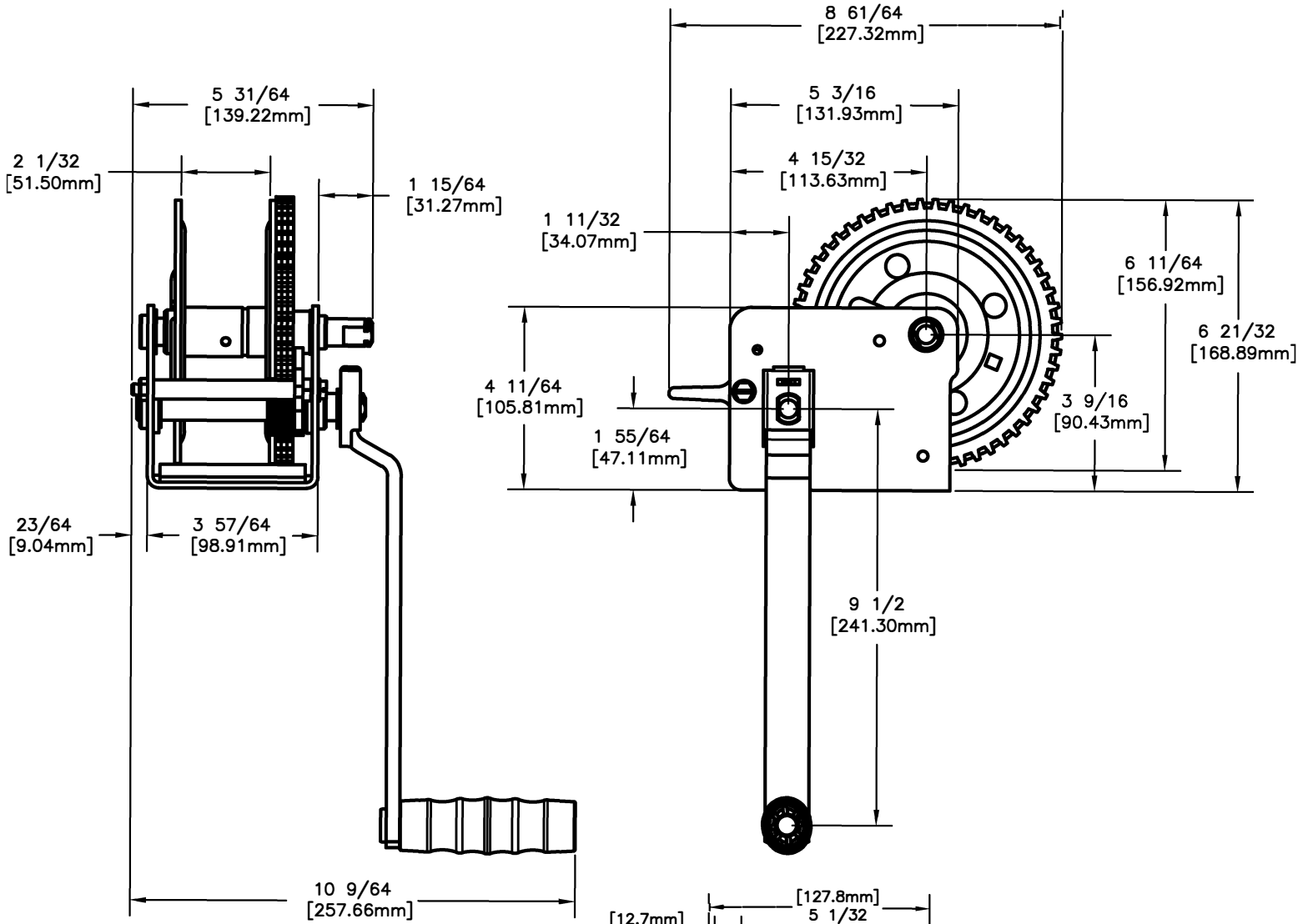
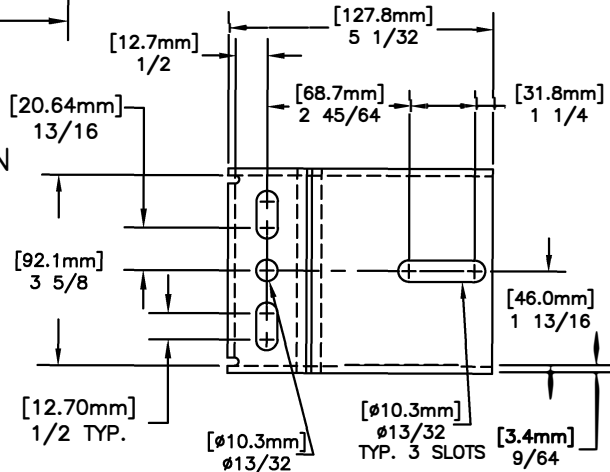


FRONT & SIDE VIEW

MODEL DL1602ADD
1600lb/726kg CAPACITY
PULLING WINCH



BASE HOLE PATTERN



Learn more about winches on our website.