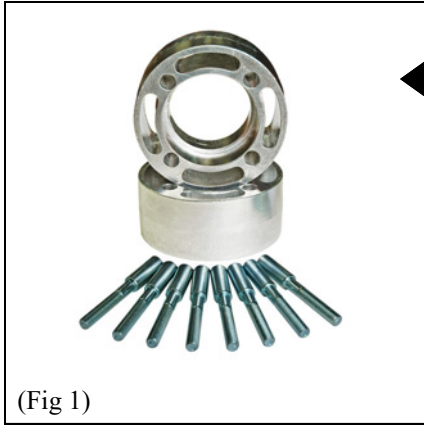


“Aluminum UTV Wheel Spacer General Info”

These spacers have a lifetime warranty so keep your receipt for proof of purchase!



UTV wheel spacers come in pairs. Make sure you have all the parts shown on the image (fig. 1) on the left.

First: Jack up the quad so the tires are almost off the ground. Loosen the lug bolts. Jack the quad up until tires are just off the ground. Remove the lug bolts and then the wheel.



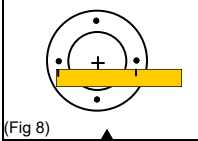
After you have removed the tire, clean the lug bolts. Now we are ready to install the wheel spacer kit.



Squeeze a drop of Lock-tite at the base of the wheel stud threads. Don't coat the entire thread stack, just the last few-threads.



After the wheel spacers are in place, screw on the wheel studs and tighten by hand. Do not use an impact wrench. Torque to factory specs or approximately 40 lbs/ft.



Screw the stud extender on by hand as far as you can. If necessary, use a ratchet to screw the stud extender down all the way (hint - use a couple of nuts tightened against each other, then use a wrench to run the stud extender down onto the stud.

When you screw the stud extenders on, do not over-tighten. Just snug them down gently. Slide the wheel spacer on. You should be able to push them on by hand. If not then get a block of wood and tap them on with a rubber mallet. The spacer must be past the stud extender shoulder before you try to tap them on. If not you will be blocked by the stud extender shoulder. In a rare case that the wheel spacer just won't fit at all, you will need to double check the bolt pattern of the spacer and the quad. Compare the bolt patterns. See (figure 8). If the pressed-in stud in the hub is not perpendicular to the hub face, the stud extender will amplify the error. Simple tap the stud (with a nut on the threads) until it aligns properly.

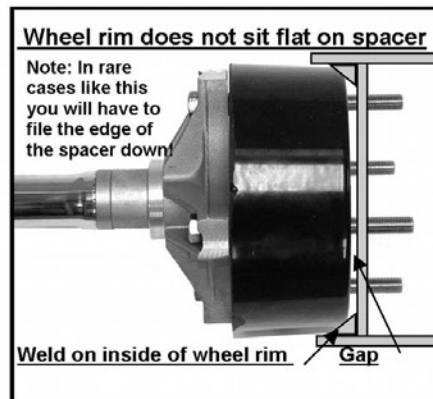
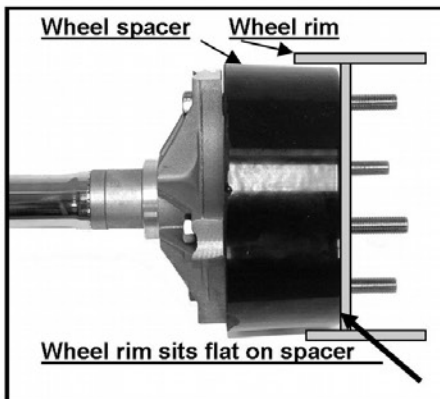
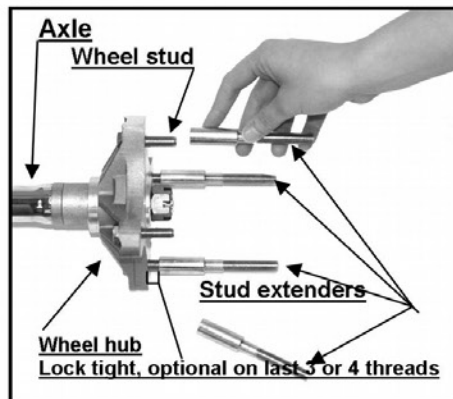
DuraBlue EZ-Fit Wheel Spacers **Must read Installation Instructions!**



Congratulations on your purchase of the original DuraBlue EZ-Fit wheel spacers. Please take a moment to follow these simple instructions to get the maximum benefit from your EZ-Fit wheel spacers. Your kit comes complete and ready to install!

1. Jack up your ATV, remove the lug nuts and then the tire.
2. Screw the stud extenders onto your existing wheel studs, making sure the stud extender is screwed all the way down. (You may use some lock tight on the last 4 stud threads). **Tighten the stud extender a little more than hand tight.** Do not tighten with a pipe wrench as you could crack the stud extender!
3. Place your spacer over the studs so it sits all the way down on your wheel hub. You may have to align your lug bolts a little to get the spacer on.
4. Put your wheel on. Your wheel must fit flat against the spacer. Some wheel rims may have a weld on the inner edge which will cause the wheel rim to sit on the edge of the spacer. In this case you will want to file some material off the edge of the spacer to get proper compression. **Important: After you have installed your stud extenders, tighten your lug nuts evenly. Avoid uneven tightening on one side. This could crack the spacer. Tighten each nut a little at a time (north, south, east & west) until recommended torque has been reached! (35 ft./lbs.).** Ride your ATV and re-check lug nuts for tightness!

Optional: You may want to use some lock-tite on the last 3 or 4 threads.



Things to look for: On quads like the Grizzly that use extra long lug bolts, the stud extenders may not screw all the way down to the wheel hub. This is okay. Go ahead and put your spacer on. **Check and make sure that the non-threaded part of the stud extender is not sticking out past the wheel spacer.** If it is, then your lug nuts will feel tight but your wheel will still be loose causing the spacers to fail. If you use aftermarket acorn type lug nuts, make sure that your studs do not bottom out in the top of the acorn style lug nut. If they do, you can trim the end of the stud extenders so they fit correctly.
Note: These spacers are extremely tough, and will last many years with proper installation.