

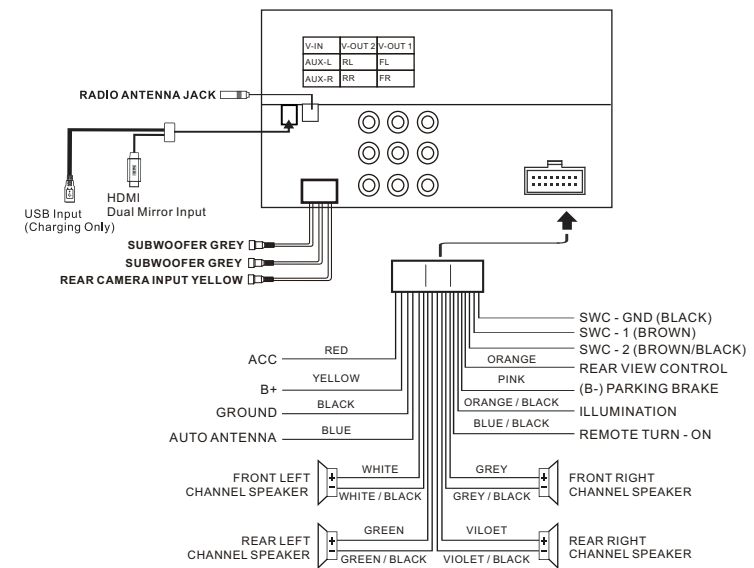


DV625BH



Safety Notes:
The DVD video display of the in-dash unit will not operate while the vehicle is moving. This is a safety feature to prevent driver distraction. In-dash DVD video functions will only operate when vehicle is in Park and the parking brake is engaged. It is illegal in most states for the driver to view video while the vehicle is in motion.

Wiring Diagram

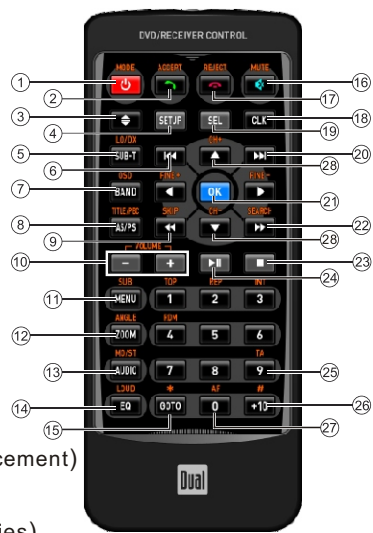


Panel Controls



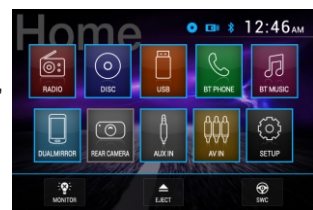
Remote Control

- | | |
|---|-----------------------------------|
| 1. Power & Mode | 14. EQ (Equalizer)/ Loud(ness) |
| 2. Talk | 15. Goto & * |
| 3. Adjust angle(optional) | 16. Mute |
| 4. Setup | 17. END & Reject |
| 5. Subtitle & LOCAL/DX (Distant) | 18. Clock |
| 6. Tune/Previous Track | 19. SEL (Select) |
| 7. Band | 20. Tune/Next Track |
| 8. Title/PBC (Push Button Configuration) & AS/PS (Automatic Memory Storing & Preset Scanning) | 21. OK |
| 9. Back | 22. Forward |
| 10. Volume Up/Down | 23. Stop |
| 11. Menu & Subwoofer | 24. Play/Pause |
| 12. Angle & Zoom | 25.9/TA(Traffic Announcement) |
| 13. Audio & MO(Mono) /ST(Stereo) | 26. +10/# |
| | 27. (Alternative Frequencies) |
| | 28. CH+/CH-(TV Tuner models only) |



Main Menu

In the Main Menu screen, press the desired icon to enter each of the following settings: Radio, Disc (CD/DVD), USB, Bluetooth Phone, Bluetooth Music, Dual Mirror, Rear-view Camera, Aux IN, AV IN, Setup



Setup Operations

In the Main Menu, press Setup icon to enter the general settings for the device

1. General(Animation, Key Beep, Disc, Radio, ...)
2. Time(Adjust Time and Time format)
3. Video(Adjust Color, Brightness, Contrast, Tint)
4. Language(Select Language)
5. RGB Illumination(Backlight and Buttons color)
6. Calibration(TFT Calibration)



Radio Operations

Press MODE button on the Control Panel until Tuner is selected

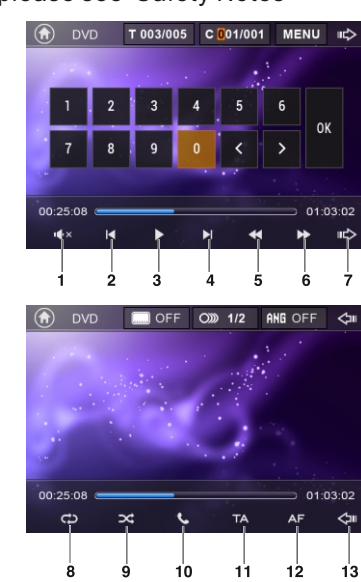
1. Home
2. Information Display
3. Tune Up
4. Preset Station Display
5. Next Menu
6. BAND
7. AS/PS(Automatic Memory Storing & Preset Scanning)
8. Audio Setup
9. Mute
10. Previous Menu
11. Tune Down
12. LOCAL/DX (Distant)
13. PTY (Program type)
14. TA(Traffic Announcement)
15. AF(Alternative Frequencies)



DVD Operations

Insert a DVD in the disc slot for DVD playback (please see 'Safety Notes' on the front page of this guide).

1. Mute
2. Previous Track
3. Play/Pause
4. Next Track
5. Back
6. Forward
7. Next Menu
8. Repeat Play
9. Random Play
10. Talk
11. TA(Traffic Announcement)
12. AF(Alternative Frequencies)
13. Previous Menu



Disc Operations

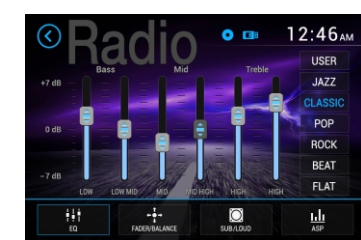
Inserting the MP3 CD into the disc slot will make the unit automatically read the CD.

1. Previous Menu
2. Mute
3. Audio Setup
4. Back
5. Forward
6. Next Menu



Audio Settings

Audio EQ Presets
USER → JAZZ → CLASSIC → POP
ROCK → BEAT → FLAT
USER PRESET
6 EQ Band frequencies are adjustable from the ASP settings.
ASP menu adjust the Bass/MID/Treb center frequencies. Each band adjusts the center frequency average(Low/Mid/High).
Bass/MID/Treb Q Value adjust the frequency width, wide to narrow.
Loudness center frequency(Flat, 400,800,2400)
Subwoofer center frequency(Flat, 80,120,160)



FADER/BALANCE

FAD (F10 to R10): Fader adjusts the front-to-rear audio strength
BAL (L10 to R10): Balance adjusts the left-to-right audio strength.

SUB/LOUD

SUB: Adjusts the subwoofer volume levels.
LOUD (Off/Low/High): Loudness feature provides better overall sound at low volume levels by increasing low and high frequencies

Bluetooth Operations

Bluetooth Microphone

The microphone is included in the unit.

Pairing and Connecting

Before using a Bluetooth device with this unit, the device must be paired and connected. The Bluetooth signal of the unit will broadcast when the power is on. Complete the pairing sequence from your Bluetooth device. The Dual unit will be displayed as "Dual BT". When prompted, enter the passcode "1234" on your device. Once paired, the Bluetooth device should automatically connect to this unit whenever the unit is in range.

Dialing a Number

Press [Keypad] to display keypad and dial a number.

Making and Ending a Call

Press [Phone] to make a call, and press [End Call] to end a call.

Accessing Recent Call List

Press [Call List] to view the Dialed
Press [Call List] to view the Received
Press [Call List] to view the Missed



Transferring Audio

Press [Phone] to transfer audio between the head unit and mobile phone.

Streaming Audio

Press [Music] to enter the music control menu.
Press [Play/Pause] to play or pause the music.
Press [Previous] to skip to the previous track.
Press [Next] to advance to the next track.



Installation

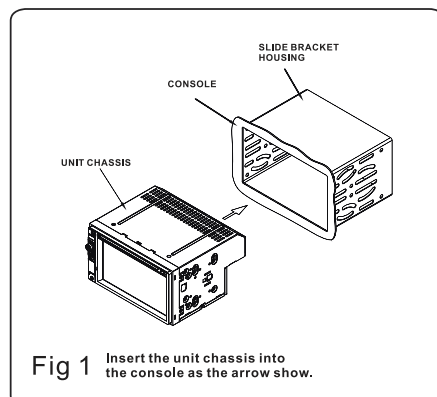


Fig 1 Insert the unit chassis into the console as the arrow show.

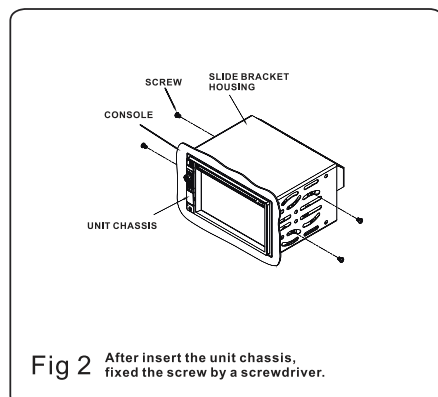


Fig 2 After insert the unit chassis, fixed the screw by a screwdriver.

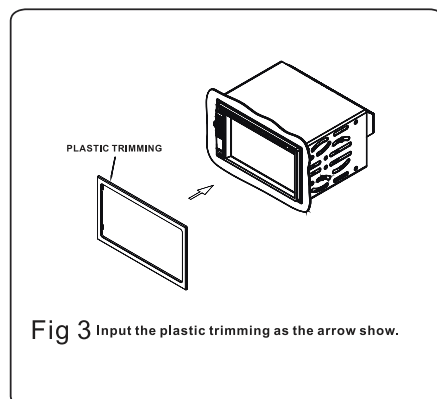


Fig 3 Input the plastic trimming as the arrow show.

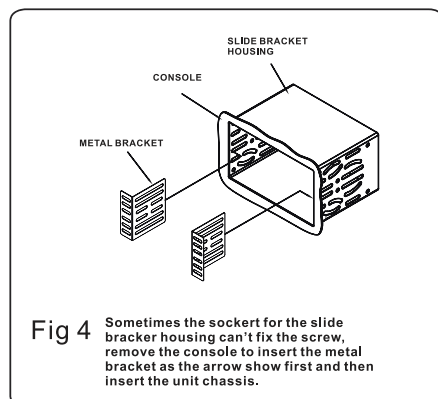


Fig 4 Sometimes the socket for the slide bracket housing can't fit the screw, remove the console to insert the metal bracket as the arrow show first and then insert the unit chassis.