

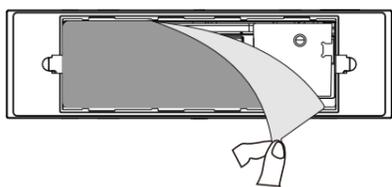
9" Receiver LCD Installation Instructions



Step #1

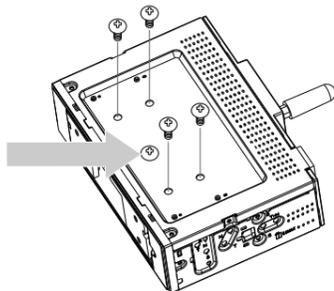
Adjusting the LCD Extension (optional)

Depending on the vehicle, it may be necessary to use the LCD extension to adjust the screen position when mounting the unit. The default setting is all the way forward, but if adjustment is necessary, the following steps show how to adjust it to the desired position.

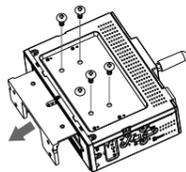


Peel off the label before installation.

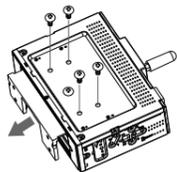
Remove the 4 screws located on top of the unit. Note: Do not remove the center screw.



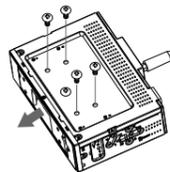
Depending on your vehicle's dash, the LCD mounting bracket can be adjusted to 3 positions (Flush, 1/2" and 1"). The bracket comes in the Flush setting when purchased. To adjust the bracket to either the 1/2" or 1" setting, gently pull the LCD bracket out from the chassis, adjust it to the desired position and lock it in place by inserting the screws to the top of the chassis. (see below images for reference)



1" (25mm)



1/2" (12.5mm)

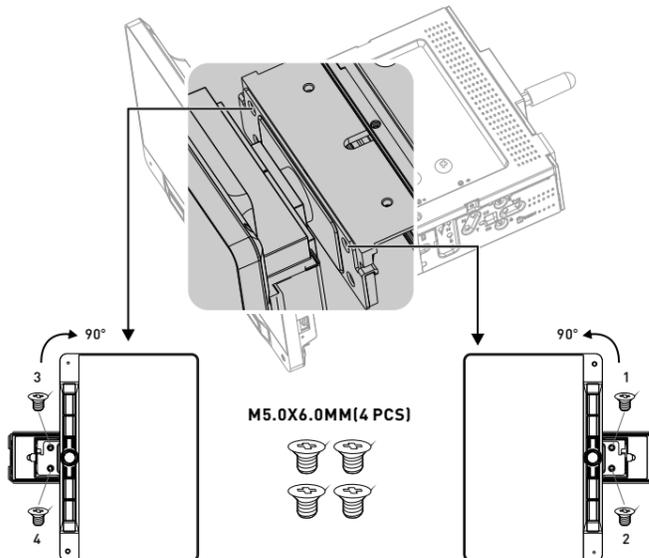


Flush

Step #4

Securing the LCD

Once the LCD is on the hinge hooks (step #3), use 2 hands to rotate the LCD 90° to the left, and secure one side using 2 LCD mounting screws. Then rotate the LCD to right 90° and secure the other side using the additional 2 LCD mounting screws.

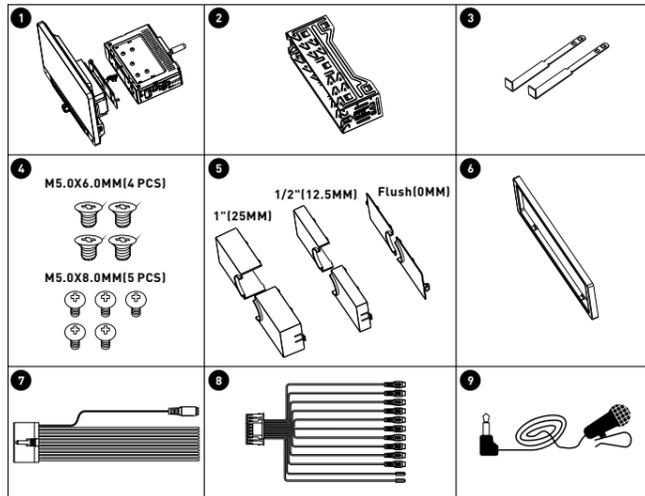


M5.0X6.0MM(4 PCS)

Preparing for Installation

Package Contents

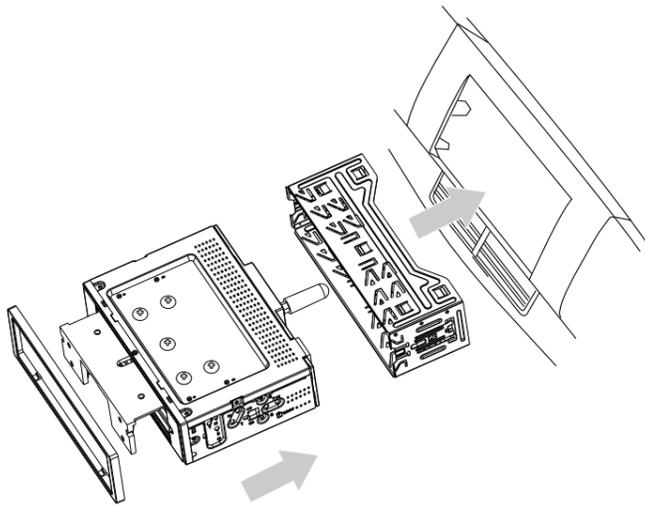
- | | |
|---|---|
| 1) Main Unit | 5) Side Panel Covers (2pcs of each width) |
| 2) Mounting Sleeve | 6) Trim Ring |
| 3) Release keys | 7) Wiring Harness |
| 4) Top Mounting Screws M5.0X8.0MM (5 PCS) | 8) AV Cable |
| LCD Mounting Screws M5.0X6.0MM (4 PCS) | 9) Microphone |



Step #2

Install Mounting Sleeve and Trim Ring

- 1) Install the mounting sleeve into a dash kit (sold separately) or dash opening, bending the tabs to secure the mounting sleeve.
- 2) Connect the wiring harness, microphone and antenna to the chassis of the radio.
- 3) Snap trim ring into place making sure the notched area is on the bottom.
- 4) Slide the receiver into the mounting sleeve to secure.

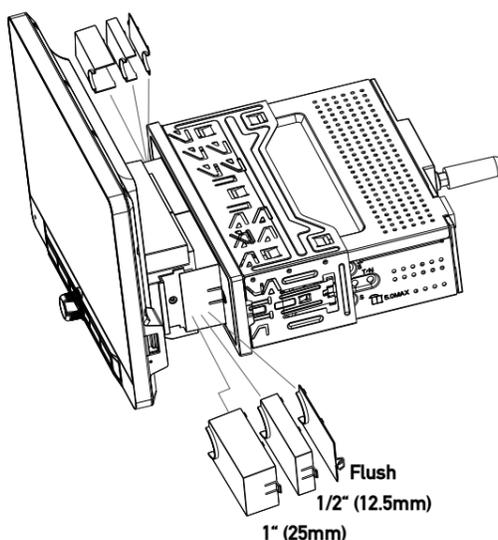


Step #5

Side Panel Covers

Once all four screws have been fastened, cover the LCD extension areas with the side panel covers.

Note: There are three cover options. One to fit each of the three LCD depth extension settings. (A-Flush, B-1/2" (12.5mm) or C-1" (25mm))



Flush
1/2" (12.5mm)
1" (25mm)

Installation

Before You Begin

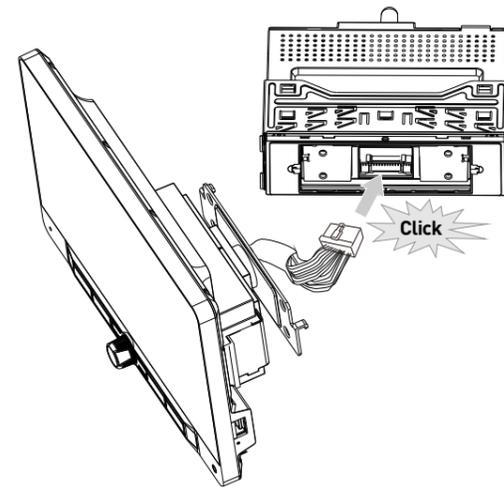
- Consult a qualified technician for instructions. Dual always recommends professional installation.
- Disconnect negative battery terminal.
- Remove trim ring from unit (if installed).
- Insert the removal keys, and remove the mounting sleeve from the receiver.

Note: Most vehicles require an installation kit, wiring harness and/or antenna adapter (all sold separately) to properly install the head unit in the vehicle.

Step #3

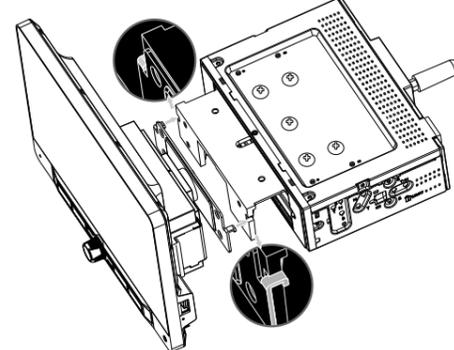
Connecting the LCD to the Receiver

To connect the LCD to the unit, carefully push the LCD wiring harness into the LCD connector of receiver's chassis as shown below.



Click

Use the hinge hooks on the back of the monitor to hold the LCD in place. Proceed to Step #4 to secure the LCD to the chassis.



Installation Complete

