

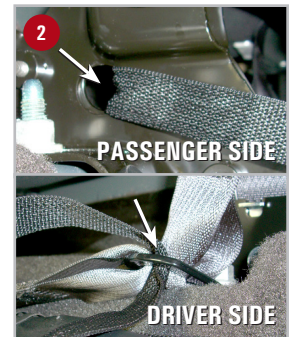
### 07-13 Chevrolet & GMC Silverado/Sierra Extended Cab – (New Body Style) Underseat Storage

Fits DU-HA Part Numbers

10045	10048
10046	10049
10047	10050

#### Installation Instructions:

- 1 Flip up the back seats.
- 2 Thread the nylon straps through the seat belt brackets (*seat belt brackets are located at the bottom of the seat belt, under the rear seat, on top of the ledge*) by sliding each strap through the backside of the brackets/seat belts so the buckle ends up on top.
- 3 Under the back seats you will have a jack tools bag. Turn the wing nut on the jack tools bag counterclockwise and remove the wingnut and metal bracket. Remove jack tools bag and set aside.
- 4 Position the DU-HA under the back seats with the cut out slots facing towards the truck bed. Make sure the seat belt is not under the DU-HA. If it is, simply pull it out from underneath the DU-HA and set it closer towards the back of the cab.
- 5 Thread the nylon straps through the slots in the back of the DU-HA.
- 6 Secure each strap by threading the strap up through the bottom of the back slot of the buckle and down through the front slot of the buckle. Tighten. The nylon straps help secure the DU-HA in the truck.
- 7 Install the foam organizer/gun racks with plastic stiffeners by sliding them into the pre-cut channel slots in the DU-HA, if desired.
- 8 Set jack tools bag on the ledge behind the DU-HA or inside the DU-HA, if desired.



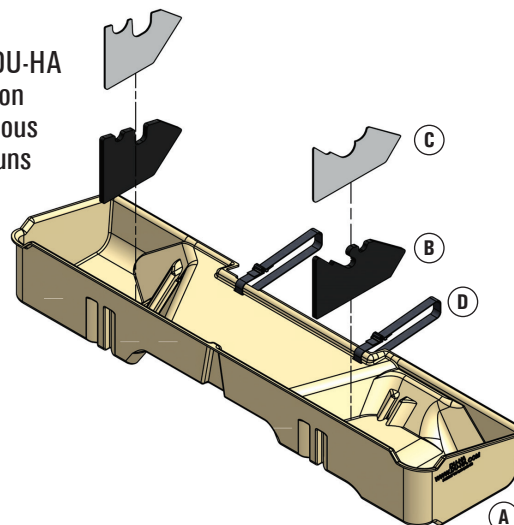
Ribs on buckle should face up. Thread strap through buckle as shown.



#### Safety Instructions:

**Warning:** Seat bottom must be down at all times while vehicle is moving. Make sure the DU-HA is secured in the vehicle according to installation instructions. Do not store explosives or hazardous materials in the DU-HA. Do not place loaded guns in the DU-HA.

For further instructions refer to truck owners manual or contact DU-HA, Inc.



Part	Description	Qty
A	DU-HA Storage Unit	1
B	Foam Organizer / Gun Rack	2
C	Plastic Stiffener	2
D	Nylon Strap with Buckle	2

### 06-07 Chevrolet & GMC Silverado/Sierra Extended Cab – 5'8" Extra Short Box (Classic) *Underseat Storage*

*Fits DU-HA Part Numbers*

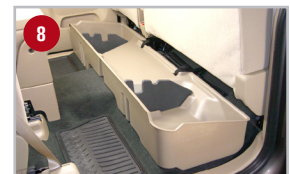
10045	10048
10046	10049
10047	10050

#### Installation Instructions:

- 1 Flip up the back seats.
- 2 Thread the nylon straps through the seat belt brackets (*seat belt brackets are located at the bottom of the seat belt, under the rear seat, on top of the ledge*) by sliding each strap through the back side of the brackets/seat belts so the buckle ends up on top.
- 3 Position the DU-HA under the back seats with the cut out slots facing towards the truck bed.
- 4 Turn the wing nut on the jack handles and tighten as much as possible. When the wing nut is tight, turn it so it is horizontal, as pictured.
- 5 Lift up on the tire iron (*on the end of the jack tools bag*) and push towards the back of the cab, as pictured.
- 6 Thread the nylon straps through the slots in the back of the DU-HA.
- 7 Secure each strap by threading the strap up through the bottom of the back slot of the buckle and down through the front slot of the buckle. Tighten. The nylon straps help secure the DU-HA in the truck.
- 8 Install the foam organizer/gun racks with plastic stiffeners by sliding them into the pre-cut channel slots in the DU-HA, if desired.



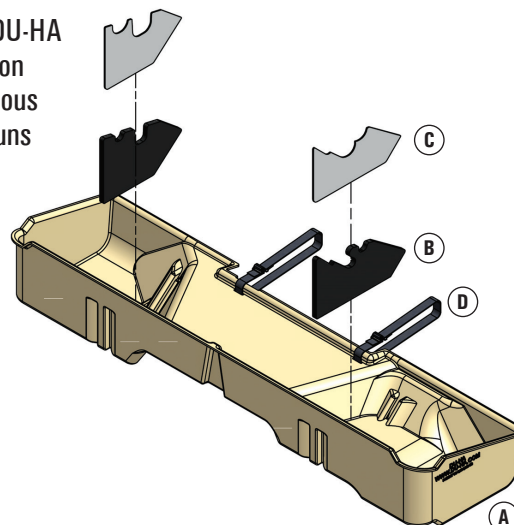
Ribs on buckle should face up. Thread strap through buckle as shown.



#### Safety Instructions:

**Warning:** Seat bottom must be down at all times while vehicle is moving. Make sure the DU-HA is secured in the vehicle according to installation instructions. Do not store explosives or hazardous materials in the DU-HA. Do not place loaded guns in the DU-HA.

For further instructions refer to truck owners manual or contact DU-HA, Inc.



Part	Description	Qty
A	DU-HA Storage Unit	1
B	Foam Organizer / Gun Rack	2
C	Plastic Stiffener	2
D	Nylon Strap with Buckle	2