

### 2015 - 2017 Ford F-150 & 2017 F-250 to F-550 SuperCab Underseat Storage

*Fits DU-HA Part Numbers*  
20106  
20107  
20108  
20109

#### Installation Instructions:

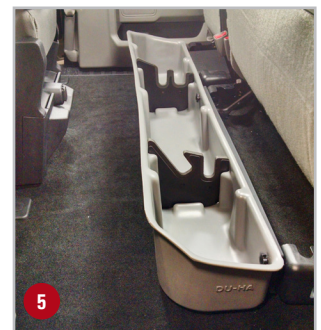
- 1 Flip up the seat bottoms of the back seats.
- 2 Using an 8mm socket remove the top two bolts from the factory storage divider (as shown by arrows in picture 1). **Note:** Some models do not have the factory divider or bolts. Refer to following page on how to create threads so you can use the knobs for installation. Some trucks have a vinyl floor which makes the DU-HA sit lower see following page for further instructions.
- 3 Position the DU-HA (A) under the back seat with the cut out slots in the DU-HA facing towards the truck bed.
- 4 Secure the DU-HA (A) in the truck using the knobs (D), insert the knob through the slot in the back of the DU-HA and thread into the holes from the previously removed bolts.
- 5 Install the (B) Foam Organizer / Gun Rack and (C) Plastic Stiffeners by sliding them into the channel slots inside the DU-HA, making sure the high side faces towards the front (as pictured).

Pull the lever under each back seat to return the seat bottoms to the down position.

*Please note: When the seat is down, it does not latch. The seat is designed to latch only when it is up.*

*(To test this, you may put the seat down without the DU-HA underneath. Note that it does not latch down.)*

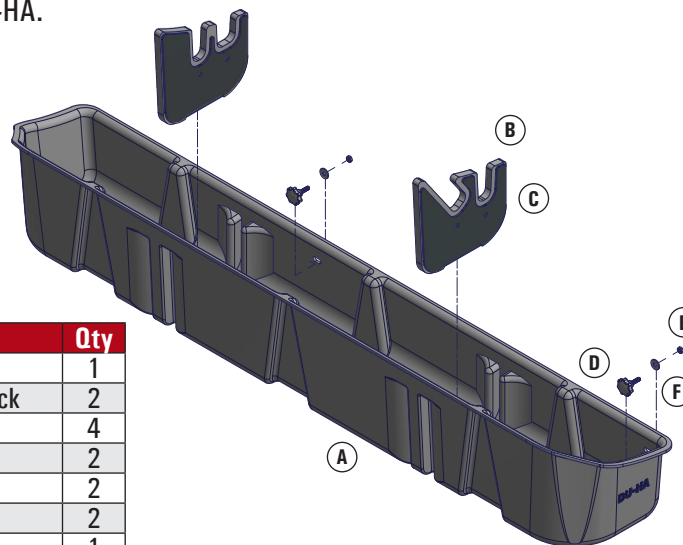
Factory Divider



This is how the DU-HA should look installed under the back seat.

#### Safety Instructions:

**Warning:** Seat bottoms must be down at all times while vehicle is moving. Make sure the DU-HA is secured in the vehicle according to installation instructions. Do not store explosives or hazardous materials in the DU-HA. Do not place loaded guns in the DU-HA.



Part	Description	Qty
A	DU-HA Storage Unit	1
B	Foam Organizer / Gun Rack	2
C	Plastic Stiffener	4
D	Knob	2
E	Nut – M6	2
F	Washer – M6	2
G	Bolt – M6 Taptite	1

### 2015 - 2017 Ford F-150 & 2017 F-250 to F-550 SuperCab *Underseat Storage*

*Fits DU-HA Part Numbers*  
20106  
20107  
20108  
20109

#### Installation Instructions: (Create Threads)

- 6 If your truck did not come with the factory divider as shown in picture 6 follow these steps to create the threads in the top holes of the factory seat brackets so you can use the supplied knobs to install your DU-HA.
- 7 Using a 10mm socket and a drill or impact driver take the supplied M6-1.0 metric bolt (G) and drive it in and out of the top holes of the factory seat brackets. The bolt is a self-threading bolt that will create the threads needed so you can use the knobs to secure your DU-HA in your truck. Once you have created the threads make sure the knob will thread in and out of the holes. If it seems tight you can run the bolt in and out of the holes again. Be careful not to cross thread if you do run the bolt in and out again, start bolt by hand. Once you have verified the knobs thread properly, return to the previous page to step 3 to continue the installation of your DU-HA.



- 8 Some models of trucks have a vinyl floor and do not have the factory divider. To install the DU-HA in this type of truck set the DU-HA under the rear seat and position it so the slots are facing the back of the truck and line up with the larger middle hole and slot in the seat brackets. Next use the provided M6 knobs, M6 washers and M6 nuts to secure the DU-HA to the seat brackets.

