



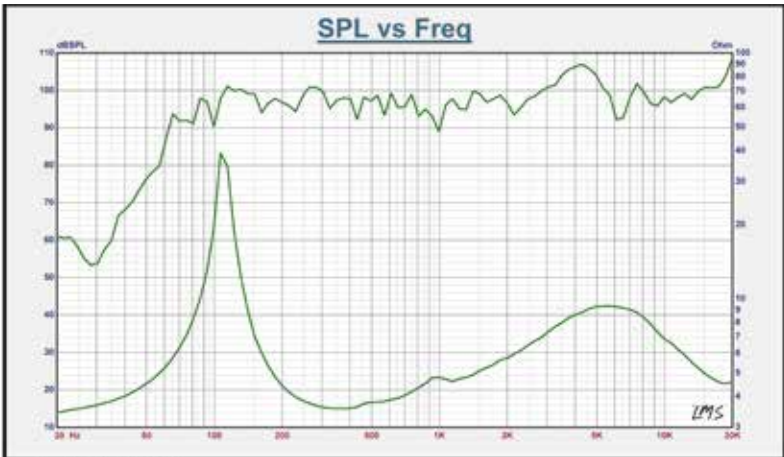
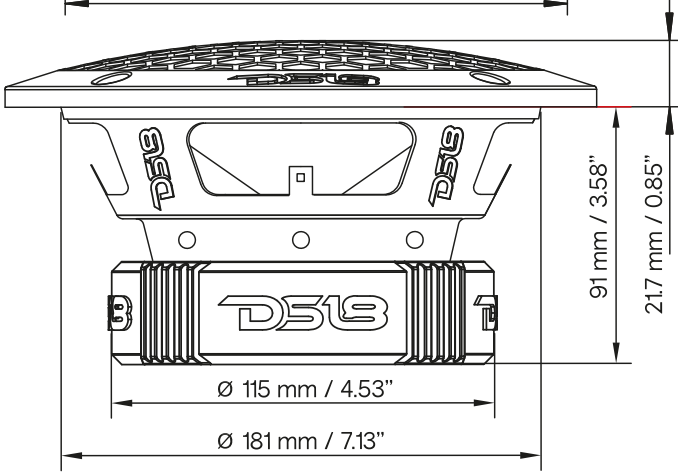
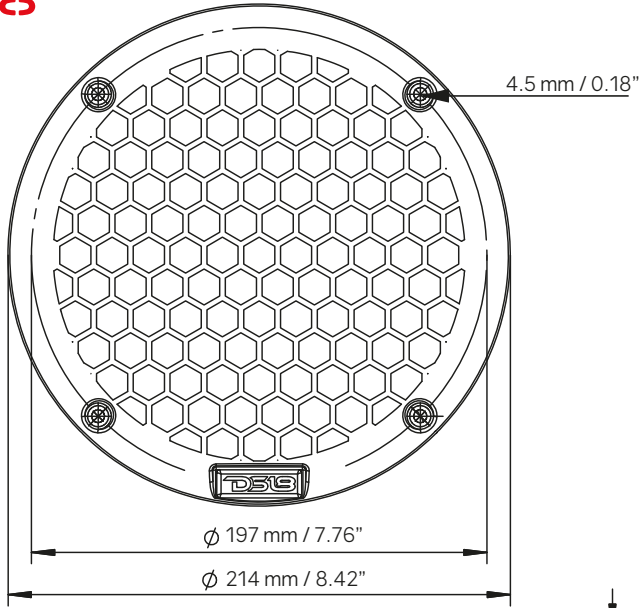
**DS18**<sup>®</sup>  
PRO

**PRO-ZT8**

8" 2-WAY MIDRANGE  
WITH BUILT-IN BULLET TWEETER



# PRO-ZT8



**Specifications:**

Nominal Diameter.....	8" (203.2 mm)
Nominal Impedance.....	4 ohms
RMS Power Handling .....	275 WATTS
Maximum Power Handling.....	550 WATTS
Sensitivity (1w/1m).....	98dB
Frequency Response .....	65Hz - 22KHz
Recommended Hi Pass Crossover .....	80 Hz

**Midrange:**

Voice Coil Diameter.....	1.5" (38.1 mm)
Voice Coil Former Material.....	Kapton
Winding Material.....	CCAW
Basket Material.....	Steel
Magnet Weight.....	27 oz
Magnet Material.....	Ferrite

**Tweeter**

Voice Coil Diameter:.....	1"
Voice Coil Material: .....	KAPTON
Winding Material:.....	CCAW
Diaphragm Material:.....	ALUMINUM ALLOY
Magnet Weight: .....	0.44 oz
Magnet Material:.....	NEODYMIUM (N38H)

**Thiele & Small Parameters:**

Equivalent Volume	Vas .....	12.4021 LTR
Excursion	Xmax .....	16 mm
Free Air Resonance	Fs .....	110 Hz
Mechanical Factor	Qms .....	3.906
Electrical Factor	Qes .....	0.76
Total Factor	Qts .....	0.636
Dc Resistance	Re .....	3.2 ohms

**Measurements:**

Overall Diameter.....	214 mm (8.42")
Front Mount Baffle Cutout.....	181 mm (7.13")
Mounting Depth .....	91 mm (3.58")
Overall Depth .....	113 mm (4.44")

View [other car speakers](#) made by [DS18](#) on our website.