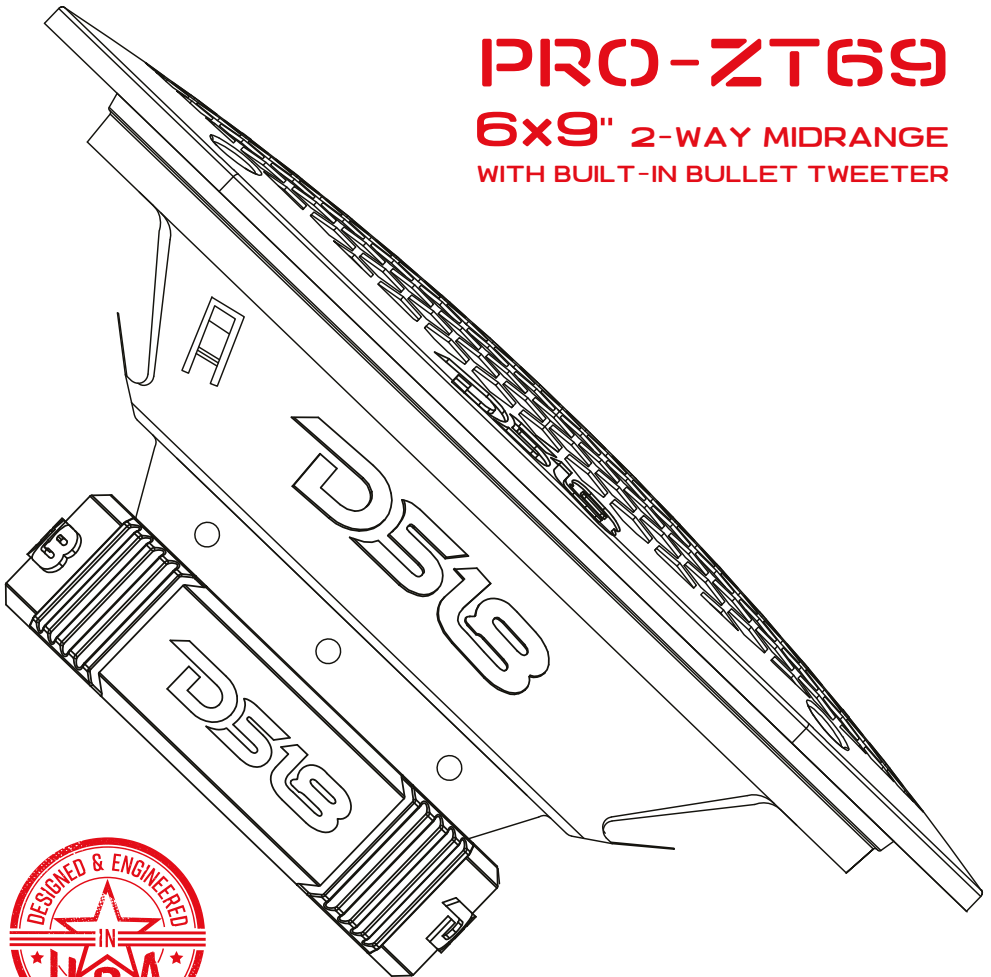


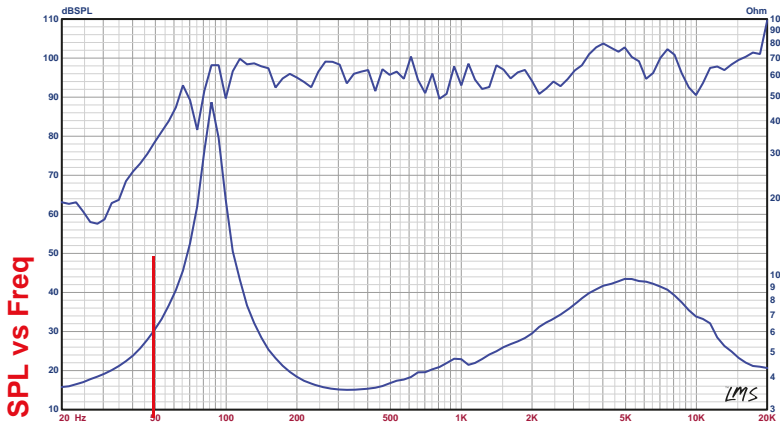
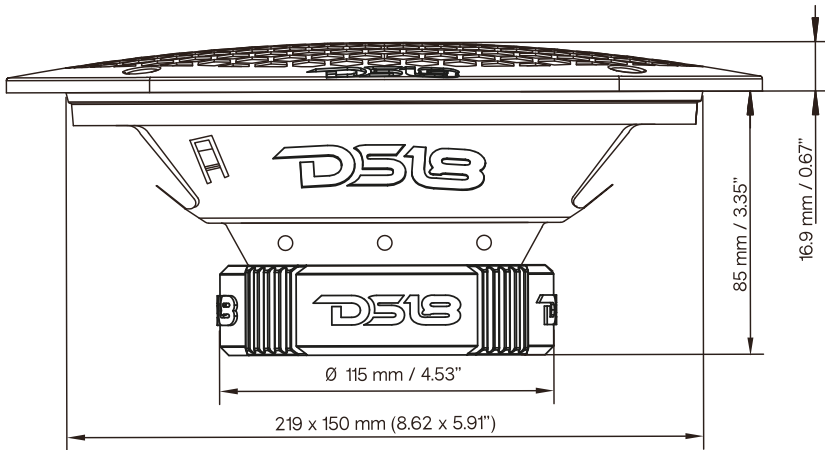
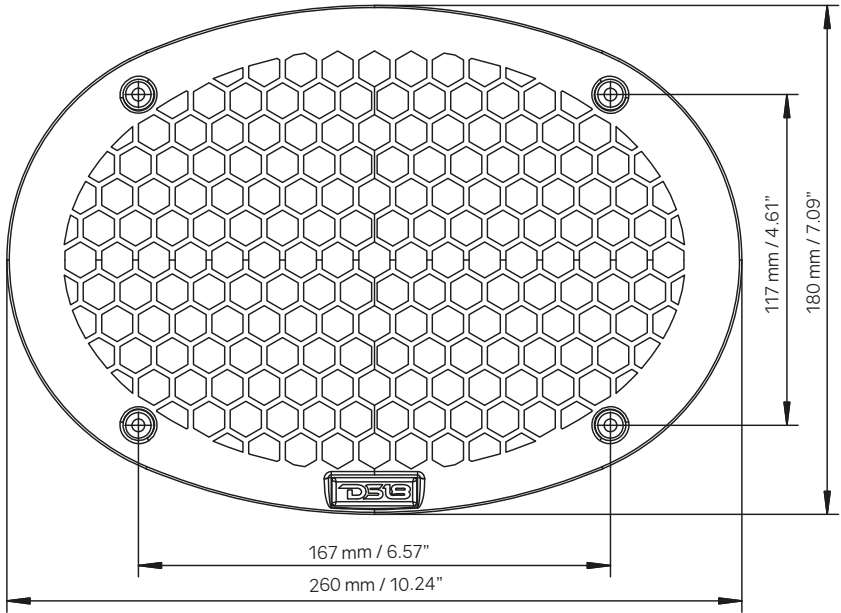


DS18[®]
PRO

PRO-ZT69
6x9" 2-WAY MIDRANGE
WITH BUILT-IN BULLET TWEETER



PRO-ZT69





Specifications:

Nominal Diameter.....	6x9"
Nominal Impedance.....	4 ohms
RMS Power Handling.....	275 WATTS
Maximum Power Handling.....	550 WATTS
Sensitivity (1w/1m).....	98dB
Frequency Response.....	60Hz-22KHz
Recommended Hi Pass Crossover.....	80 Hz

Midrange:

Voice Coil Diameter.....	1.5" (38.1 mm)
Voice Coil Former Material.....	Kapton
Winding Material.....	CCAW
Basket Material.....	Steel
Magnet Weight.....	27 oz
MAGnet Material.....	Ferrite

Tweeter

Voice Coil Diameter:.....	1"
Voice Coil Material:.....	KAPTON
Winding Material:.....	CCAW
Diaphragm Material:.....	ALUMINUM ALLOY
Magnet Weight:.....	0.44 oz
Magnet Material:.....	NEODYMIUM (N38H)

Thiele & Small Parameters:

Equivalent Volume	Vas.....	14.6927 LTR
Excursion	Xmax.....	16 mm
Free Air Resonance	Fs.....	85 Hz
Mechanical Factor	Qms.....	3.906
Electrical Factor	Qes.....	0.639
Total Factor	Qts.....	0.549
Dc Resistance	Re.....	3.2 ohms

Measurements:

Overall Diameter.....	260 x 180 mm (10.24 x 7.09")
Front Mount Baffle Cutout.....	219 x 150 mm (8.62 x 5.91")
Mounting Depth.....	85 mm (3.35")
Overall Depth.....	97 mm (3.81")

PRO-ZTS9

View other car speakers made by DS18 on our website.