

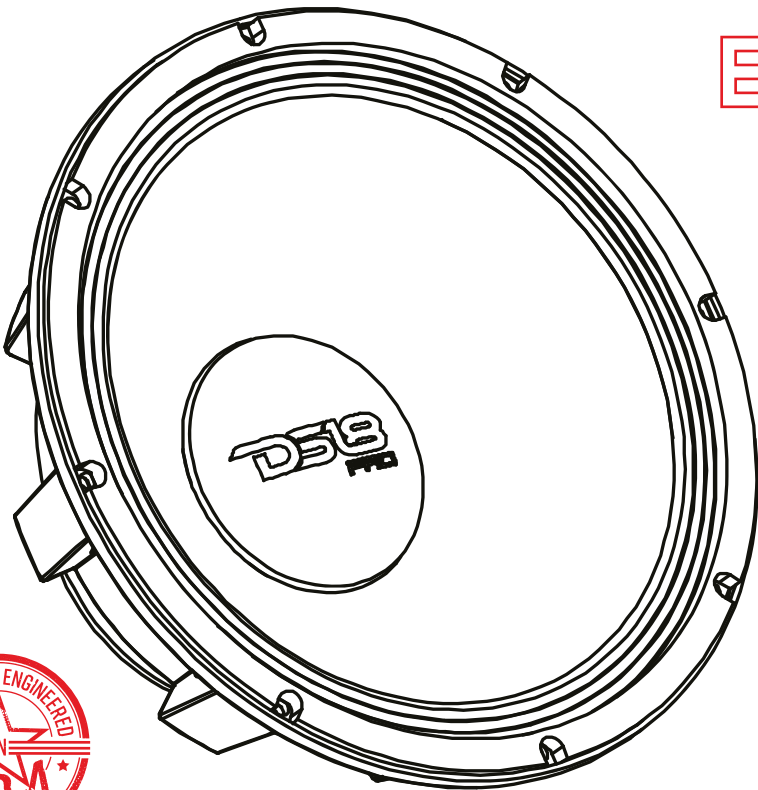


# DS18<sup>®</sup>

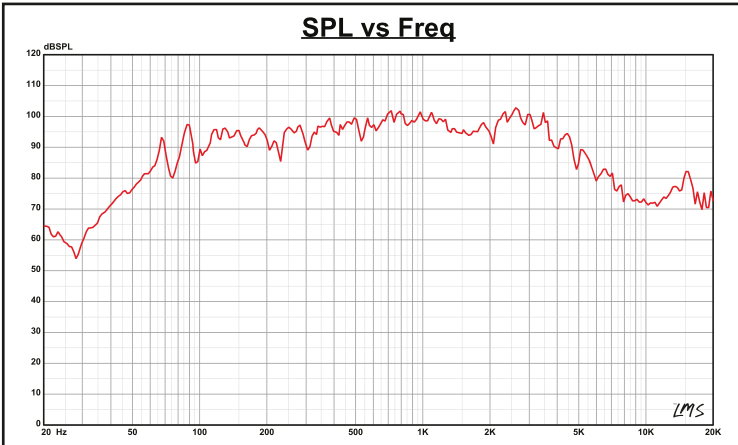
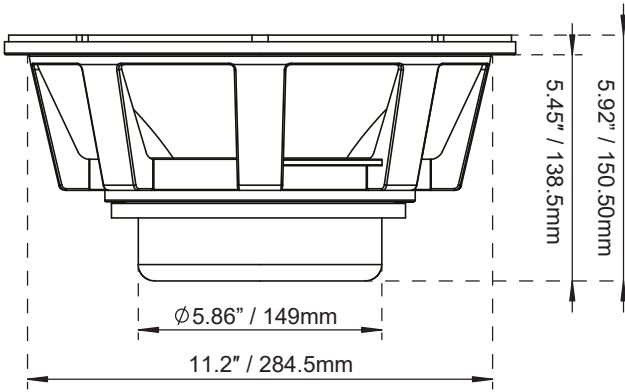
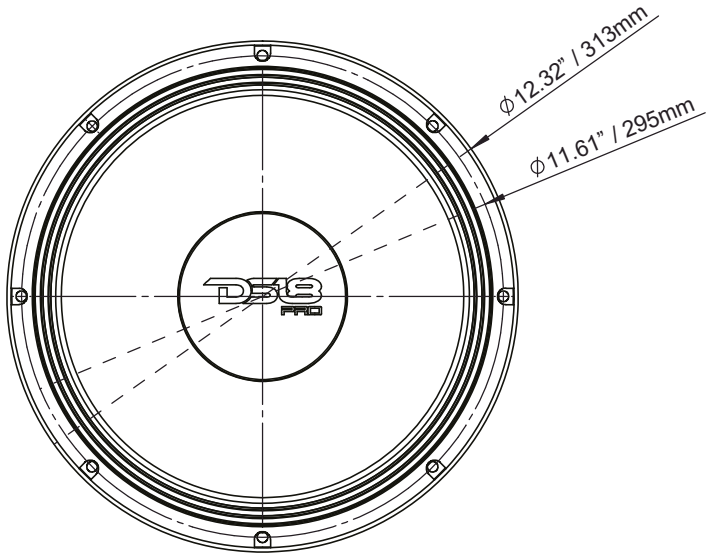
OWNER'S MANUAL

**PRO-XLNEO12MB**

12" MID-BASS LOUDSPEAKER WITH  
NEODYMIUM MAGNET AND 4" VC



# PRO-XLNEO12MB





### SPECIFICATIONS:

Nominal Diameter.....	12" / 304.8mm
Nominal Impedance.....	8 OHMS
RMS Power Handling .....	1000W
MAX Power Handling .....	2000W
Sensitivity (1w/1m).....	98.2 dB
Frequency Response.....	45Hz - 7KHz
Recommended HI Pass Crossover .....	80Hz
Pair or Single.....	Single

### MOTOR:

Voice Coil Diameter .....	.4" / 99.8mm
VC Former Material .....	Glass Fiber
Winding Material .....	CCAW
Cone Material .....	Paper
Dustcap Material .....	Paper
Surround Material .....	Cloth
Basket Material .....	Aluminum
Basket Color .....	Sandblasted Black
Magnet Material .....	Neodymium
Magnet Weight .....	18.5 Oz
Displacement Volume .....	2.32L / 0.082ft3

### THIELE & SMALL PARAMETERS

Equivalent Volume .....	Vas .....	22.76L / 0.8ft3
Excursion (one way) .....	Xmax .....	13.8 mm
Free Air Resonance .....	Fs .....	72Hz
Mechanical Factor .....	Qms .....	1.61
Electrical Factor .....	Qes .....	0.359
Total Factor .....	Qts .....	0.294
Mechanical Mass.....	Mms .....	83.362g
Mechanical Compliance .....	Cms.....	0.059mm/N
BL Factor .....	Bl.....	23.553
Voice Coil Inductance .....	Le .....	32.64mH
Cone Area.....	Sd .....	522.79CM <sup>2</sup>
DC Resistance.....	Re .....	5.2 Ohm
Mechanical Mass w/o Air.....	Mmd .....	69.855g

### MEASUREMENTS:

Overall Diameter.....	12.32" / 313mm
Overall Depth.....	5.92" / 150.5mm
Front Mount Baffle Cutout .....	11.2" / 284.5mm
Mounting Depth.....	5.45" / 138.5mm
Motor Diameter .....	5.86" / 149mm

Learn more about car speakers we have.