



PRO-X8M

## 8" MIDRANGE LOUDSPEAKER

RMS Power Handling: 275 Watts

MAX Power Handling: 550 Watts

Frequency Response: 100Hz-13KHz

Voice Coil Diameter: 1.5" (38.1 mm)

Voice Coil Material: Kapton

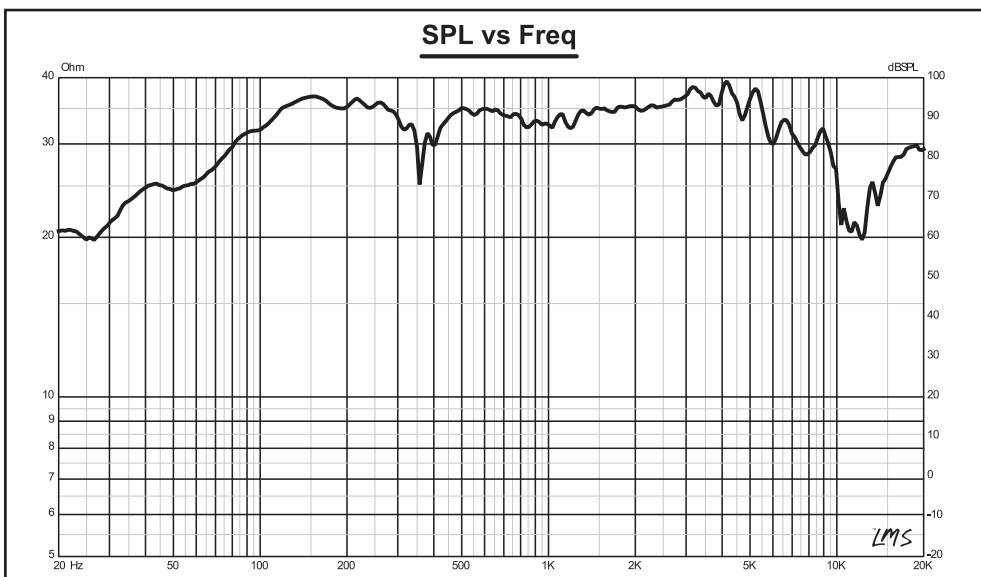
Nominal Impedance: 8 OHM

Sensitivity (1W/1M): 98.2dB

Magnet Weight: 30 oz

Magnet Material: Ferrite

Mounting Depth: 79 mm / 3.11"



8"  
MIDRANGE LOUDSPEAKER

PRO-X8M



550W MAX

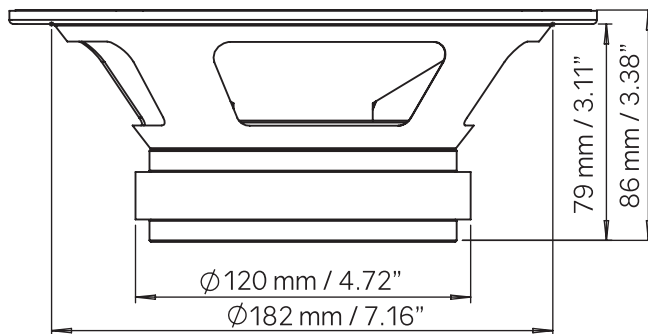
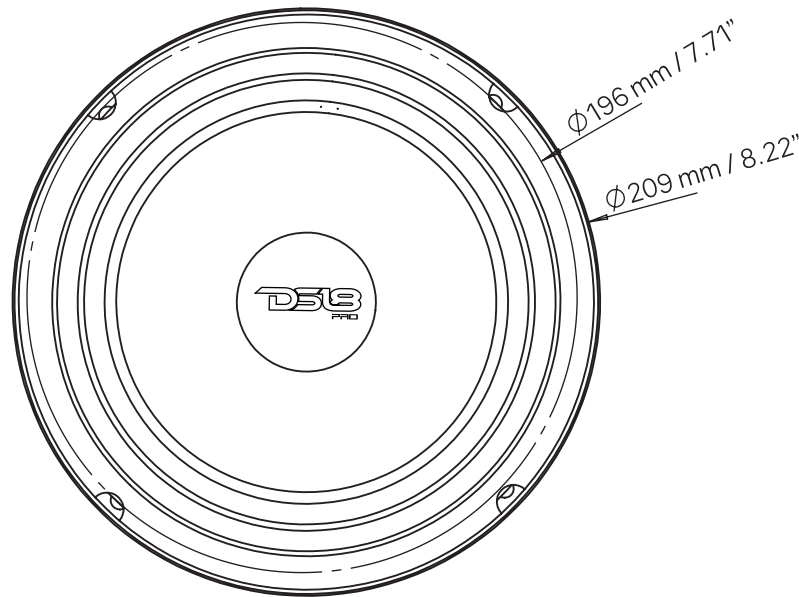
275W RMS

8 OHMS

OWNER'S MANUAL

# PRO-X8M

## 8" MIDRANGE LOUDSPEAKER



## Data Sheet

### Specifications:

Nominal Diameter .....	8" (203.2 mm)
Nominal Impedance .....	8 ohms
RMS Power Handling .....	275 WATTS
MAX Power Handling .....	550 WATTS
Sensitivity (1w/1m) .....	98.2dB
Frequency Response .....	100Hz-13KHz
Recommended Hi Pass Crossover.....	120 Hz

### Midrange:

Voice Coil Diameter.....	1.5" (38.1 mm)
Voice Coil Former Material.....	Kapton
Winding Material.....	CCA W
Basket Material.....	Steel
Magnet Weight.....	30 oz

### Thiele & Small Parameters:

Equivalent Volume .....	Vas.....	21.85 LTR
Excursion .....	Xmax.....	9.3 mm
Free Air Resonance .....	Fs.....	100 Hz
Mechanical Factor .....	Qms.....	13.041
Electrical Factor .....	Qes.....	0.684
Total Factor .....	Qts.....	0.650
Dc Resistance .....	Re.....	5.2 ohms

### Measurements:

Overall Diameter.....	209 mm (8.22")
Front Mount Baffle Cutout .....	182 mm (7.16")
Mounting Depth.....	79 mm (3.11")
Overall Depth.....	86 mm (3.38")

PRO-X8M 8" MIDRANGE LOUDSPEAKER