

DS18[®] PRO

PRO-X6MSE

**6.5" MIDRANGE LOUDSPEAKER
WITH SEALED BACK**

MAX Power Handling: 450 Watts

RMS Power Handling: 225 Watts

Frequency Response: 511Hz-13.5KHz

Voice Coil Material: Kapton

Voice Coil Diameter: 1.5" (38.1 mm)

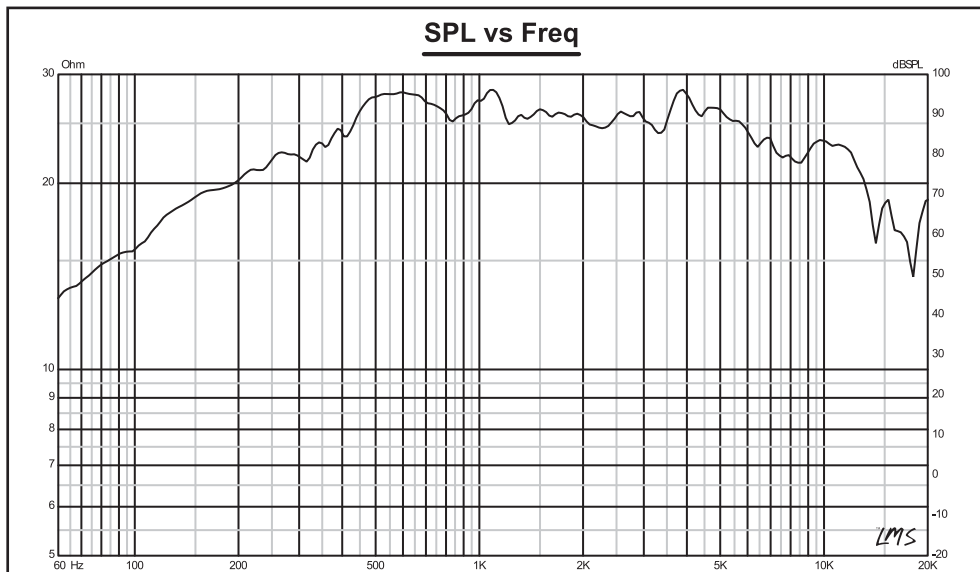
Nominal Impedance: 8 ohms

Mounting Depth: 67 mm (2.64")

Sensitivity (1W/1M): 92dB

Magnet Material: Ferrite

Magnet Weight: 33 oz



DS18[®] PRO

6.5"

MIDRANGE LOUDSPEAKER
WITH SEALED BACK

PRO-X6MSE

450W MAX

225W RMS

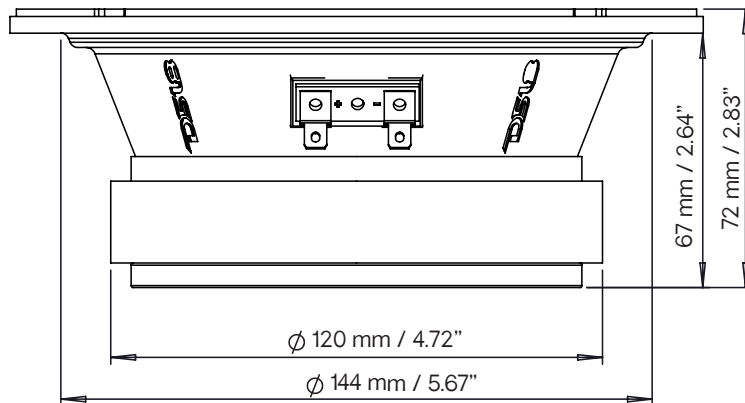
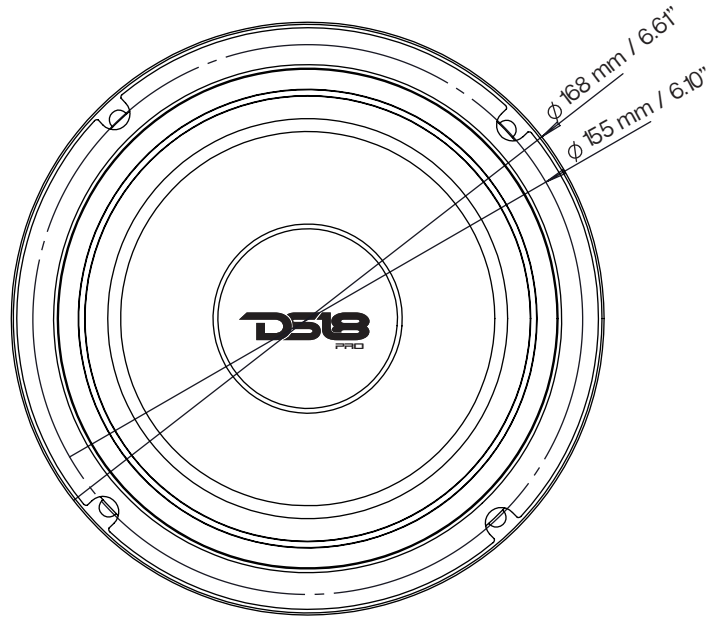
8 OHMS



OWNER'S MANUAL

PRO-X6MSE

6.5" MIDRANGE LOUD SPEAKER WITH SEALED BACK



Data Sheet

Specifications:

Nominal Diameter	6.5" (165.1 mm)
Nominal Impedance	8 ohms
RMS Power Handling	225 WATTS
Maximum Power Handling	450 WATTS
Sensitivity (1w/1m)	92dB
Frequency Response	51Hz-13.5KHz
Recommended Hi Pass Crossover	550 Hz

Midrange:

Voice Coil Diameter	1.5" (38.1 mm)
Voice Coil Former Material	Kapton
Winding Material	CCA
Basket Material	Steel
Magnet Weight	33 oz

Thiele & Small Parameters:

Equivalent Volume	Vas	1.82 LTR
Excursion	Xmax	9 mm
Free Air Resonance	Fs	51 Hz
Mechanical Factor	Qms	9.587
Electrical Factor	Qes	3.249
Total Factor	Qts	2.427
Dc Resistance	Re	5.2 ohms

Measurements:

Overall Diameter	168 mm (6.61")
Front Mount Baffle Cutout	144 mm (5.67")
Mounting Depth	67 mm (2.64")
Overall Depth	72 mm (2.83")

PRO-X6MSE 6.5" MIDRANGE LOUDSPEAKER WITH SEALED BACK