

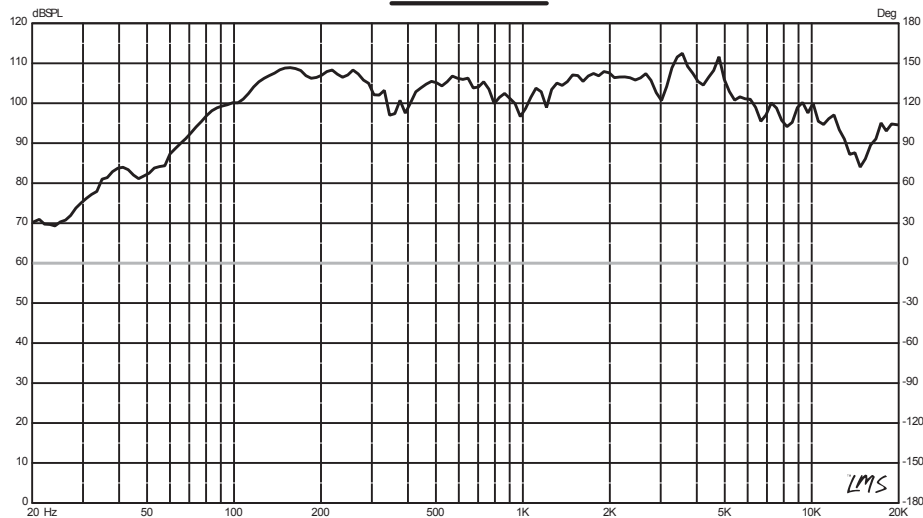


PRO-X6BM

6.5" MIDRANGE LOUDSPEAKER WITH BULLET

- RMS Power Handling: 250 Watts
- MAX Power Handling: 500 Watts
- Frequency Response: 118Hz-17KHz
- Voice Coil Diameter: 1.5" (38.1 mm)
- Voice Coil Material: Kapton
- Nominal Impedance: 8 ohm
- Sensitivity (1W/1M): 90dB
- Magnet Weight: 30 oz
- Magnet Material: Ferrite
- Mounting Depth: 62 mm / 2.44"

SPL vs Freq



PRO-X6BM

6.5"

MIDRANGE LOUDSPEAKER WITH BULLET

500W MAX

250W RMS

8 OHMS



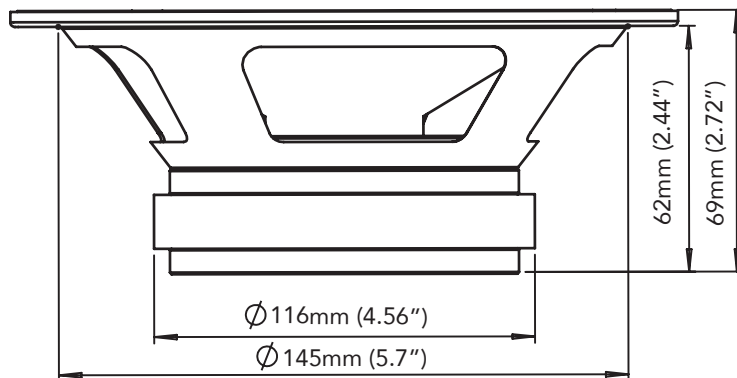
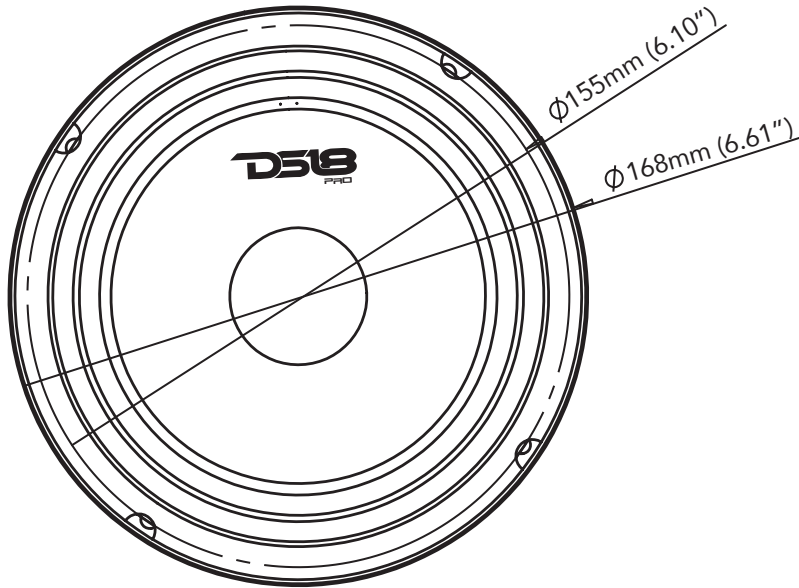
OWNER'S MANUAL



Data Sheet

PRO-X6BM

6.5" MIDRANGE LOUDSPEAKER
WITH BULLET



PRO-X6BM 6.5" MIDRANGE LOUD SPEAKER WITH BULLET

Specifications:

Nominal Diameter	6.5" (165.1 mm)
Nominal Impedance	8 ohms
RMS Power Handling	250 WATTS
Maximum Power Handling	500 WATTS
Sensitivity (1w/1m)	90dB
Frequency Response	118Hz-17KHz
Recommended Hi Pass Crossover	120 Hz

Midrange:

Voice Coil Diameter	1.5" (38.1 mm)
Voice Coil Former Material	Kapton
Winding Material	CCAW
Basket Material	Steel
Magnet Weight	30 oz

Thiele & Small Parameters:

Equivalent Volume	Vas	2.620 LTR
Excursion	Xmax	8.2 mm
Free Air Resonance	Fs	118 Hz
Mechanical Factor	Qms	10.782
Electrical Factor	Qes	0.641
Total Factor	Qts	0.605
Dc Resistance	Re	5.2 ohms

Measurements:

Overall Diameter	168 mm (6.61")
Front Mount Baffle Cutout	145 mm (5.70")
Mounting Depth	62 mm (2.44")
Overall Depth	69 mm (2.72")