

# DS18<sup>®</sup>

## PRO

PRO-X5.4M

**5.25"** MIDRANGE  
LOUDSPEAKER

MAX Power Handling: 300 Watts

RMS Power Handling: 150 Watts

Frequency Response: 200Hz-16KHz

Voice Coil Diameter: 1.2" (30.5 mm)

Voice Coil Material: Kapton

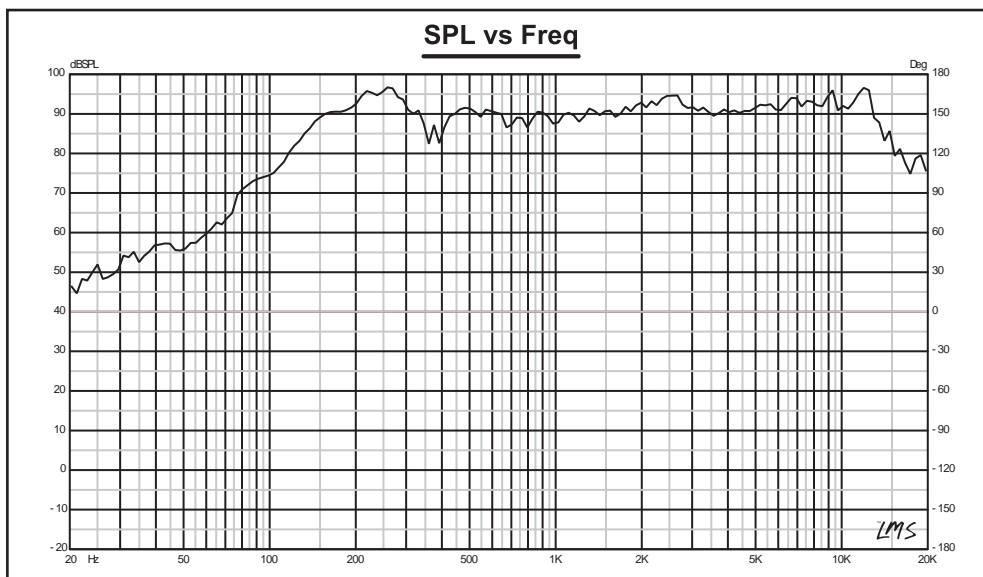
Nominal Impedance: 4 OHM

Sensitivity (1W/1M): 93dB

Magnet Weight: 18.5 oz

Magnet Material: Ferrite

Mounting Depth: 2.67"/ 68mm



# DS18<sup>®</sup>

## PRO

**5.25"**  
MIDRANGE  
LOUDSPEAKER

PRO-X5.4M



300W MAX

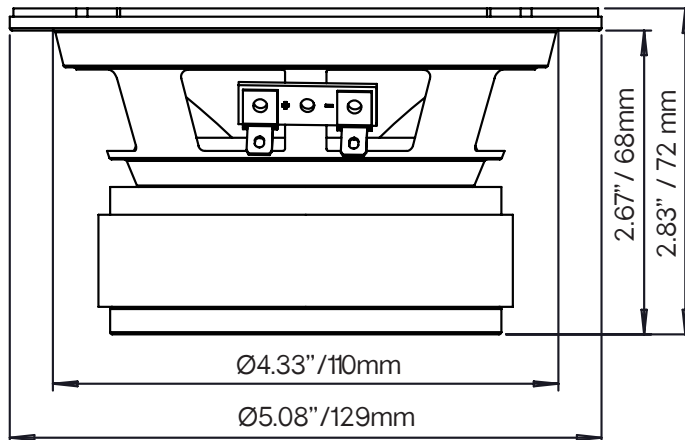
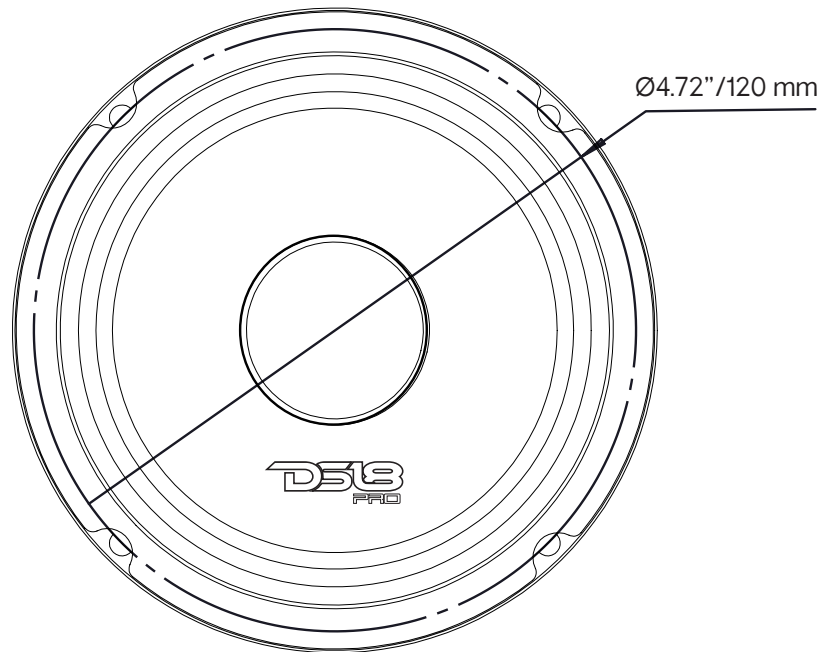
150W RMS

4 OHMS

# PRO-X5.4M

## 5.25" MIDRANGE LOUDSPEAKER

### Data Sheet



### PRO-X5.4M 5.25" MIDRANGE LOUDSPEAKER

#### Specifications:

Nominal Diameter .....	5.25"/133.3mm
Nominal Impedance .....	4 ohms
MAX Power Handling .....	300 Watts
RMS Power Handling .....	150 Watts
Sensitivity (1w/1m) .....	93dB
Frequency Response .....	200Hz-16KHz
Recommended Hi Pass Crossover .....	250 Hz

#### Midrange:

Voice Coil Diameter .....	1.2"/30.5 mm
Voice Coil Former Material .....	Kapton
Winding Material .....	CCAW
Cone Material .....	Paper
Surround Material .....	Cloth
Basket Material .....	Steel
Magnet Material .....	Ferrite
Magnet Weight .....	18.5 oz
Displacement .....	0.007L

#### Thiele & Small Parameters:

Equivalent Volume .....	Vas .....	0.827 LTR
Excursion .....	Xmax .....	6.7 mm
Free Air Resonance .....	Fs .....	240 Hz
Mechanical Factor .....	Qms .....	6.382
Electrical Factor .....	Qes .....	1.625
Total Factor .....	Qts .....	1.326
Dc Resistance .....	Re .....	3.2 ohms

#### Measurements:

Overall Diameter .....	5.08"/129 mm
Front Mount Baffle Cutout .....	4.33"/110 mm
Mounting Depth .....	2.67"/68 mm
Overall Depth .....	2.83"/72mm

