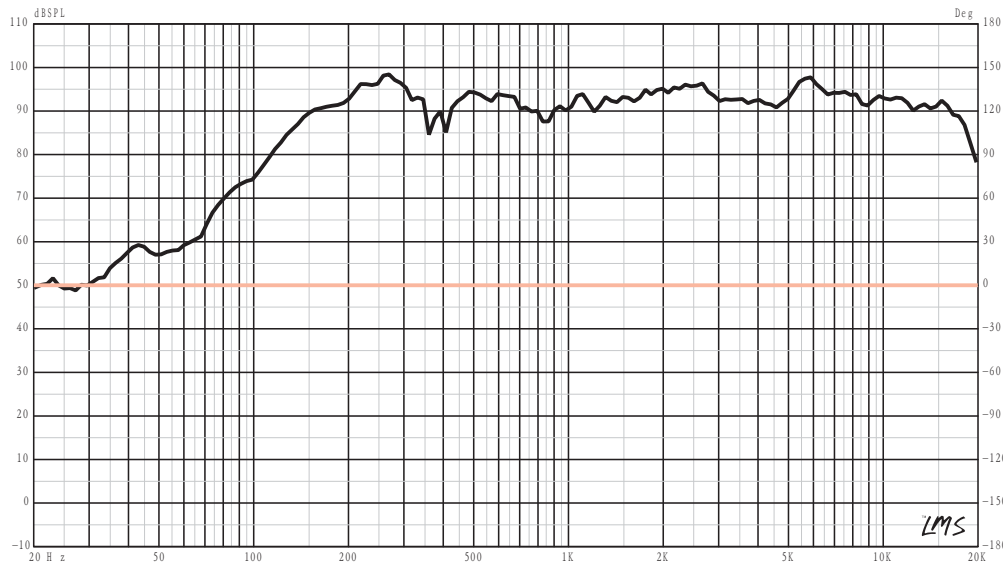


PRO-X5.42M

5.25" MIDRANGE LOUDSPEAKER
RED COLOR STEEL BASKET
18.5 OZ HIGH STRENGTH FERRITE MAGNET
1.2" HIGH TEMPERATURE KCCAW VOICE COIL
CLOTH EDGE AND NON-PRESSED PAPER CONE
RED ALUMINIUM BULLET
150 WATTS RMS POWER
300 WATTS MAX POWER
IMPEDANCE 4 OHMS
SENSITIVITY 92.7 DB
FREQUENCY RESPONSE 215 - 13.4KHZ

SPL vs Freq



WE LIKE IT LOUD



OWNER'S MANUAL

PRO -X5.42M

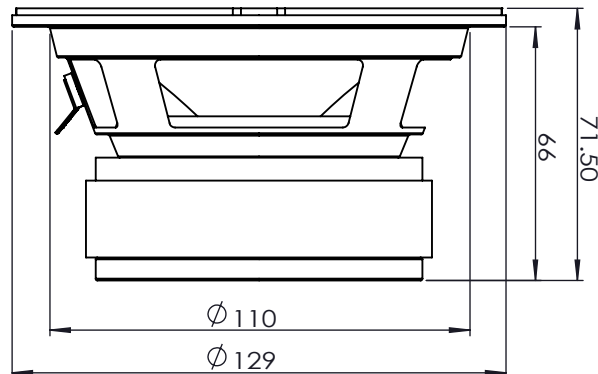
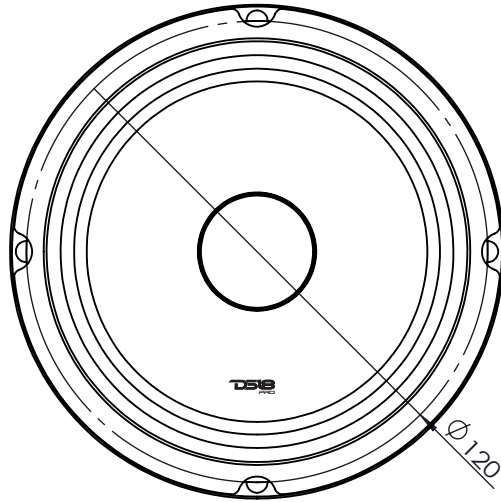
5.25" MIDRANGE LOUDSPEAKER

WE LIKE IT LOUD



PRO - X5.42M

5.25" MIDRANGE LOUDSPEAKER



PRO - X5.42M

5.25" MIDRANGE LOUDSPEAKER

Overall Diameter	129mm(5.1inch)
Baffle Cutout Diameter	110mm(4.33inch)
Depth	66mm(2.6inch)
Nominal Impedance	4.0 Ω
Minimum Impedance	3.2 Ω
Rms Power Handling	150W
Maximum Power Handling	300W
Sensitivity (1w/1m)	92.7 dB
Frequency Responde	215 Hz-13.4 KHz
Diaphragm Material	Aluminum
Voice Coil Diameter	30.5mm(1.2inch)
Winding Material	KCCAW
Magnet Weight	Ferrite 18.5 oz

THIELE & SMALL PARAMETERS

Fs	271 Hz
Re	3.2 Ω
Qes	1.774
Qms	4.183
Qts	1.231
Vas	1.055 ltr
X-MAX	6.7mm(0.25inch)

