

PRO-X4.48M

4" MIDRANGE LOUDSPEAKER

RED COLOR STEEL BASKET

10 OZ HIGH STRENGTH FERRITE MAGNET

1.0" HIGH TEMPERATURE KCCAW VOICE COIL

CLOTH EDGE AND NON-PRESSED PAPER CONE

RED ALUMINUM BULLET

100 WATTS RMS POWER

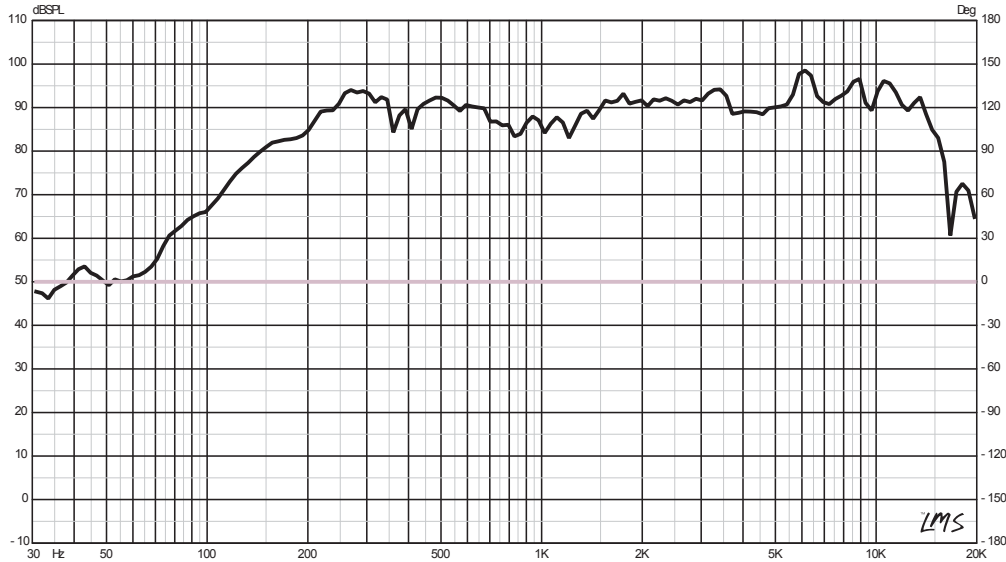
200 WATTS MAX POWER

IMPEDANCE 4 OHMS

SENSITIVITY 89.6 DB

FREQUENCY RESPONSE 260-11.5KHZ

SPL vs Freq



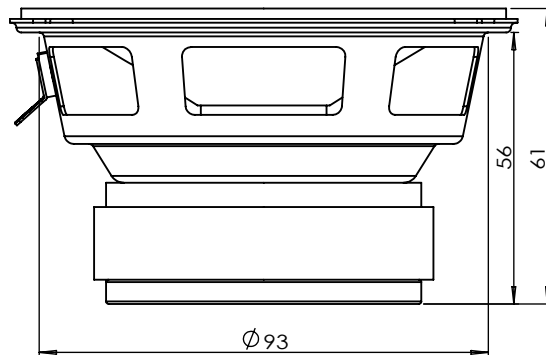
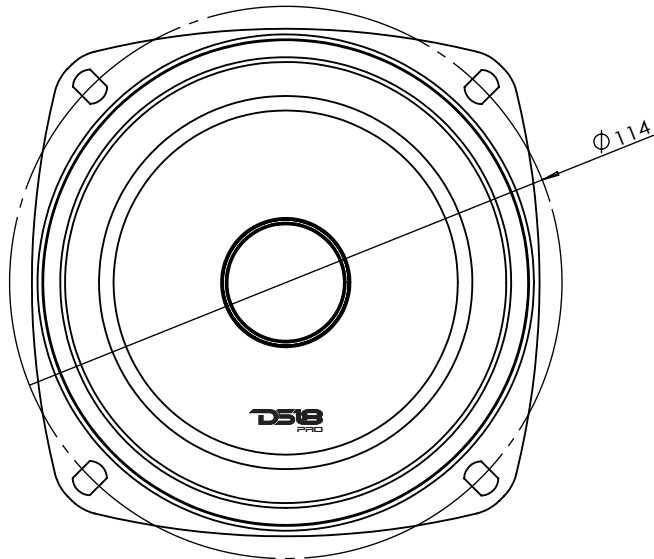
OWNER'S MANUAL

PRO - X4.48M
4" MIDRANGE LOUDSPEAKER



PRO - X4.42BM

4" MIDRANGE LOUDSPEAKER



#WELIKEITLOUD

PRO- X4.42BM

4" MIDRANGE LOUDSPEAKER

Overall Diameter	114mm(4.48inch)
Baffle Cutout Diameter	93mm(3.66inch)
Depth	56mm(2.2inch)
Nominal Impedance	4.0 Ω
Minimum Impedance	3.2 Ω
Rms Power Handling	100W
Maximum Power Handling	200W
Sensitivity (1w/1m)	89.6 dB
Frequency Responde	260 Hz-11.5 KHz
Diaphragm Material	Aluminum
Voice Coil Diameter	25.9mm(1.0inch)
Winding Material	KCCAW
Magnet Weight	Ferrite 10 oz

THIELE & SMALL PARAMETERS

Fs	335 Hz
Re	3.2 Ω
Qes	3.027
Qms	10.893
Qts	2.369
Vas	0.301 Ltr
X-MAX	6.3mm(0.25inch)