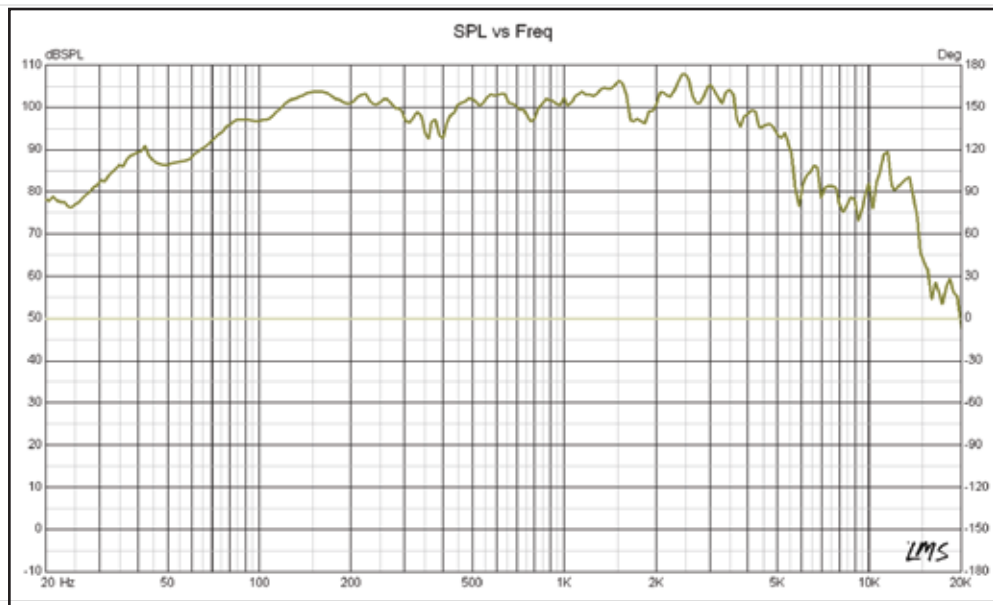


# DS18<sup>®</sup>

PRO

## 12" MIDRANGE LOUDSPEAKER

**PRO-X12M**  
RMS Power Handling: 450 Watts  
MAX Power Handling: 900 Watts  
Frequency Response: 63.5Hz-11.3KHz  
Nominal Impedance: 8 ohms  
Mounting Depth: 126 mm (4.96")  
Sensitivity (1W/1M): 97.5dB  
Magnet Material: Ferrite  
Magnet Weight: 60oz  
Voice Coil Material: Kapton  
Voice Coil Diameter: 2.5" (65.5 mm)



# DS18<sup>®</sup>

PRO

## 12" MIDRANGE LOUDSPEAKER

### PRO-X12M



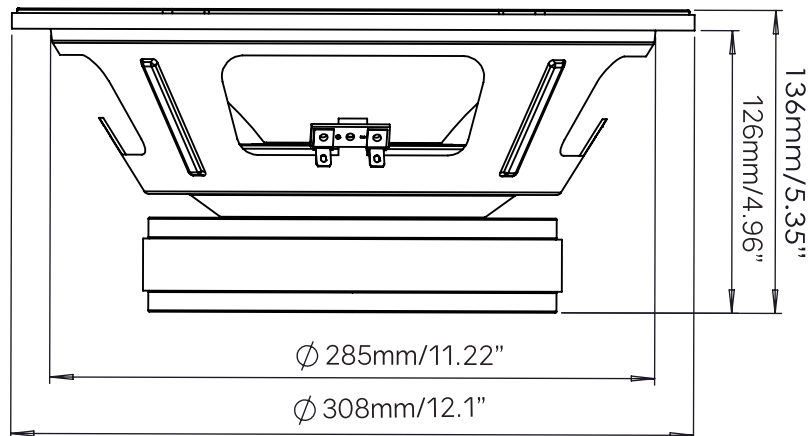
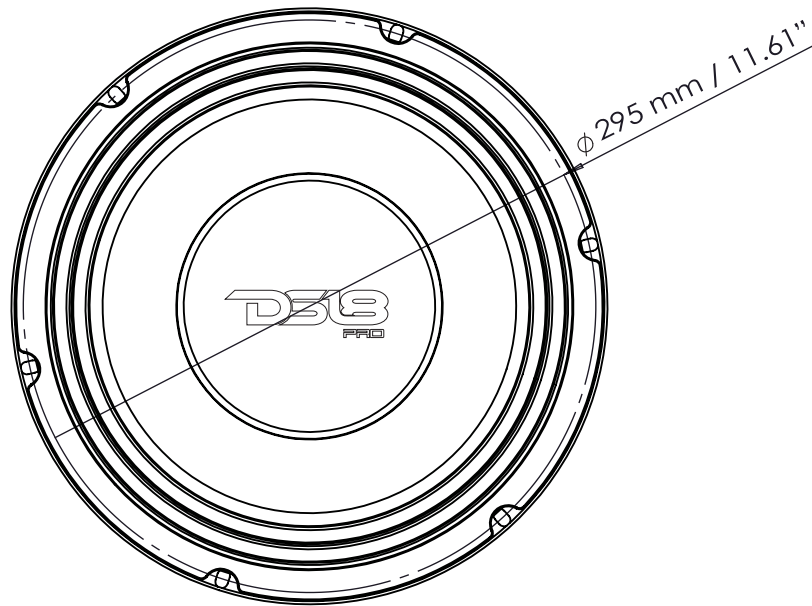
900W MAX

450W RMS

8 OHMS

# PRO-X12M

12" MIDRANGE  
LOUDSPEAKER



## Data Sheet

### Specifications:

Nominal Diameter .....	12" (308 mm)
Nominal Impedance .....	8 ohms
RMS Power Handling .....	450 Watts
MAX Power Handling .....	900 Watts
Sensitivity (1w/1m) .....	97.5dB
Frequency Response .....	63.5Hz - 11.3KHz
Recommended Hi Pass Crossover .....	100 Hz

### Midrange:

Voice Coil Diameter .....	2.5" (65.5 mm)
Voice Coil Former Material .....	Kapton
Winding Material .....	CCAW
Basket Material .....	Steel
Magnet Weight .....	60 oz

### Thiele & Small Parameters:

Equivalent Volume .....	Vas .....	23.78 LTR
Excursion .....	Xmax .....	10.5 mm
Free Air Resonance .....	Fs .....	64.6 Hz
Mechanical Factor .....	Qms .....	2.2
Electrical Factor .....	Qes .....	0.485
Total Factor .....	Qts .....	0.392
Dc Resistance .....	Re .....	5.2 ohms

### Measurements:

Overall Diameter .....	308 mm (12.12")
Front Mount Baffle Cutout .....	285 mm (11.22")
Mounting Depth .....	126 mm (4.96")
Overall Depth .....	136 mm (5.35")

PRO-X12M 12" MIDRANGE LOUDSPEAKER

