

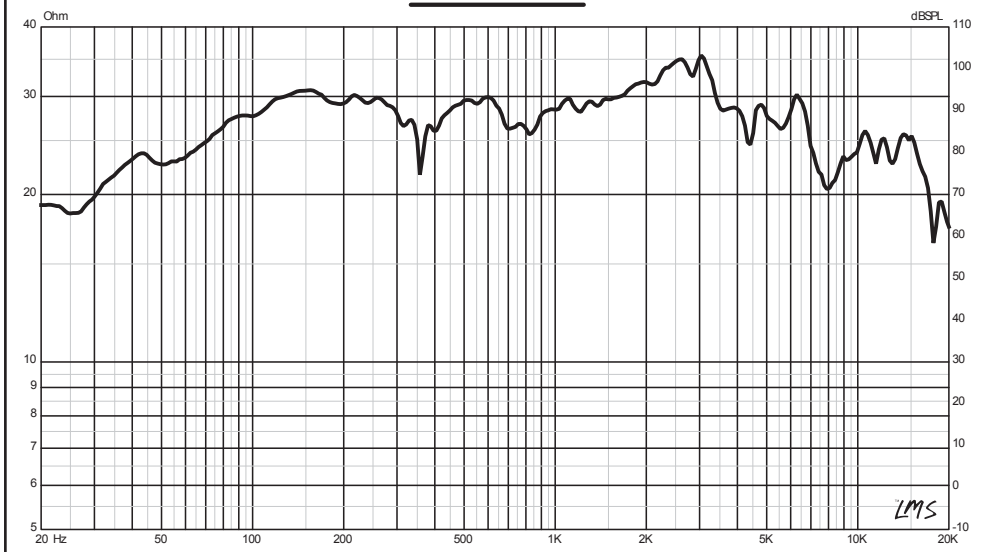


PRO-X10M

10" MIDRANGE LOUDSPEAKER

- MAX Power Handling: 600 Watts
- RMS Power Handling: 300 Watts
- Frequency Response: 100Hz-5KHz
- Voice Coil Material: Kapton
- Voice Coil Diameter: 2" / 50.8 mm
- Nominal Impedance: 8 ohms
- Mounting Depth: 3.78" / 96mm
- Sensitivity (1W/1M): 96dB
- Magnet Material: Ferrite
- Magnet Weight: 40oz

SPL vs Freq



PRO-X10M

10" MIDRANGE LOUDSPEAKER



600W MAX

300W RMS

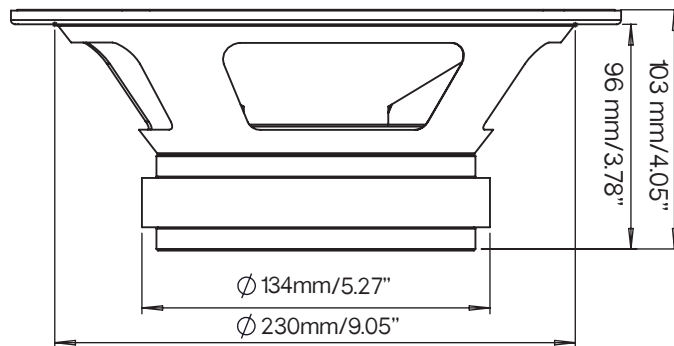
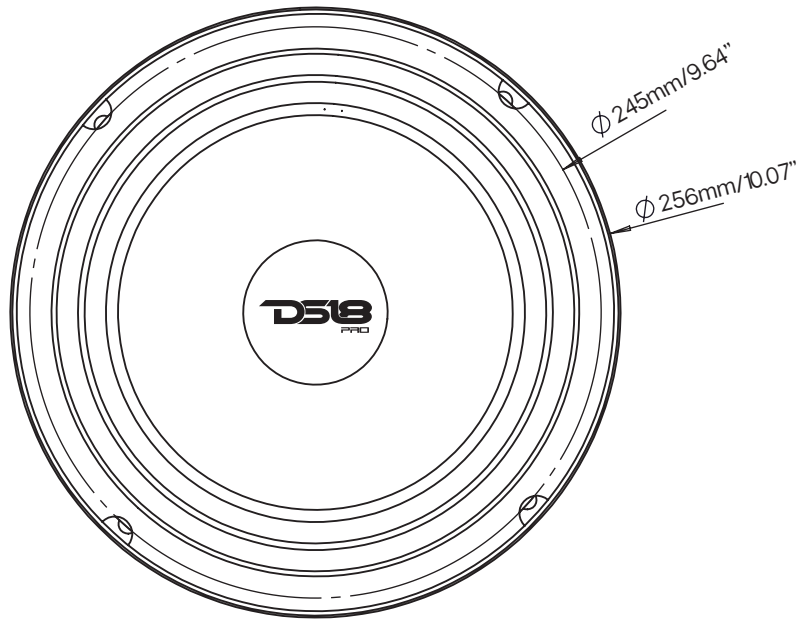
8 OHMS

OWNER'S MANUAL



Data Sheet

PRO-X10M



PRO-X10M 10" MIDRANGE LOUDSPEAKER

Specifications:

Nominal Diameter	10" (256mm)
Nominal Impedance	8 ohms
MAX Power Handling	600 Watts
RMS Power Handling	300 Watts
Sensitivity (1w/1m)	96dB
Frequency Response	100Hz-5KHz
Recommended Hi Pass Crossover	120 Hz

Midrange:

Voice Coil Diameter	2" (50.8 mm)
Voice Coil Former Material	Kapton
Winding Material	CCAW
Basket Material	Steel
Magnet Weight	40 oz

Thiele & Small Parameters:

Equivalent Volume	Vas	84.93 LTR
Excursion	Xmax	9.8mm
Free Air Resonance	Fs	76.3 Hz
Mechanical Factor	Qms	15.28
Electrical Factor	Qes	0.886
Total Factor	Qts	0.841
Dc Resistance	Re	5.2 ohms

Measurements:

Overall Diameter	256 mm (10.07")
Front Mount Baffle Cutout	230 mm (9.05")
Mounting Depth	96 mm (3.78")
Overall Depth	103 mm (4.05")