

DS18[®]

PRO

PRO-X1013M

10" MIDRANGE
LOUDSPEAKER WITH BULLET

RMS Power Handling: 300 Watts

MAX Power Handling: 600 Watts

Frequency Response: 100Hz-5KHz

Voice Coil Material: Kapton

Voice Coil Diameter: 2" (50.8 mm)

Nominal Impedance: 8 ohms

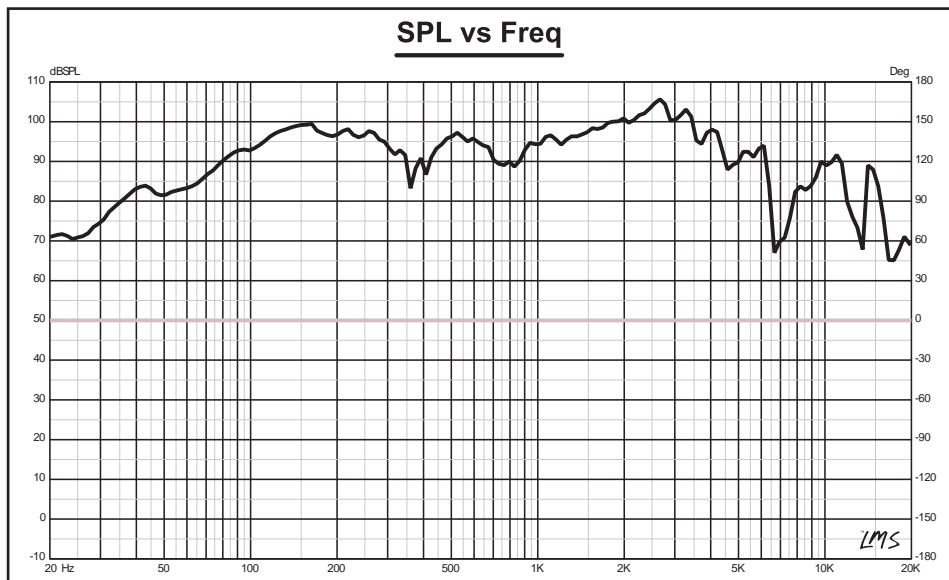
Mounting Depth: 96 mm (3.78")

Sensitivity (1W/1M): 97 dB

Magnet Material: Ferrite

Magnet Weight: 40oz

SPL vs Freq



DS18[®]

PRO

PRO-X1013M

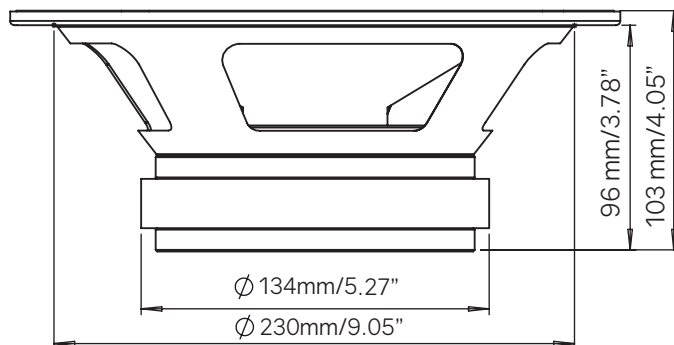
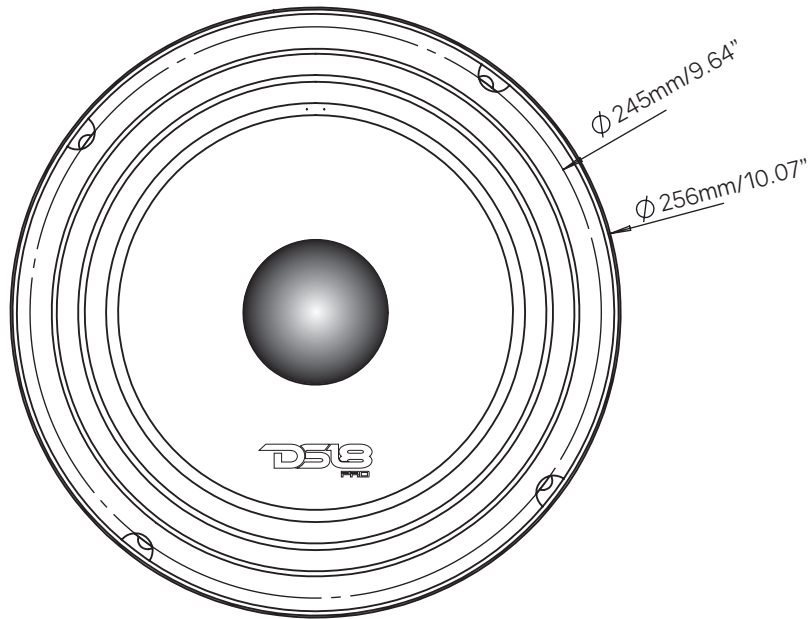
10" MIDRANGE LOUDSPEAKER
WITH BULLET





PRO-X10BM

10" MIDRANGE
LOUDSPEAKER WITH BULLET



Data Sheet

10" MIDRANGE LOUD SPEAKER WITH BULLET

Specifications:

| | |
|------------------------------------|-------------|
| Nominal Diameter..... | 10" (256mm) |
| Nominal Impedance..... | 8 ohms |
| RMS Power Handling..... | 300 Watts |
| Maximum Power Handling..... | 600 Watts |
| Sensitivity (1w/1m)..... | 97 dB |
| Frequency Response..... | 100Hz-5KHz |
| Recommended Hi Pass Crossover..... | 120 Hz |

Midrange:

| | |
|---------------------------------|--------------|
| Voice Coil Diameter..... | 2" (50.8 mm) |
| Voice Coil Former Material..... | Kapton |
| Winding Material..... | CCAW |
| Basket Material..... | Steel |
| Magnet Weight..... | 40 oz |

Thiele & Small Parameters:

| | | |
|-------------------------|-----------|------------|
| Equivalent Volume..... | Vas..... | 26.725 LTR |
| Excursion..... | Xmax..... | 9.8 mm |
| Free Air Resonance..... | Fs..... | 77 Hz |
| Mechanical Factor..... | Qms..... | 13.933 |
| Electrical Factor..... | Qes..... | 0.85 |
| Total Factor..... | Qts..... | 0.801 |
| Dc Resistance..... | Re..... | 5.2 ohms |

Measurements:

| | |
|--------------------------------|-----------------|
| Overall Diameter..... | 256 mm (10.07") |
| Front Mount Baffle Cutout..... | 230 mm (9.05") |
| Mounting Depth..... | 96 mm (3.78") |
| Overall Depth..... | 103 mm (4.05") |

PRO-X10BM

