

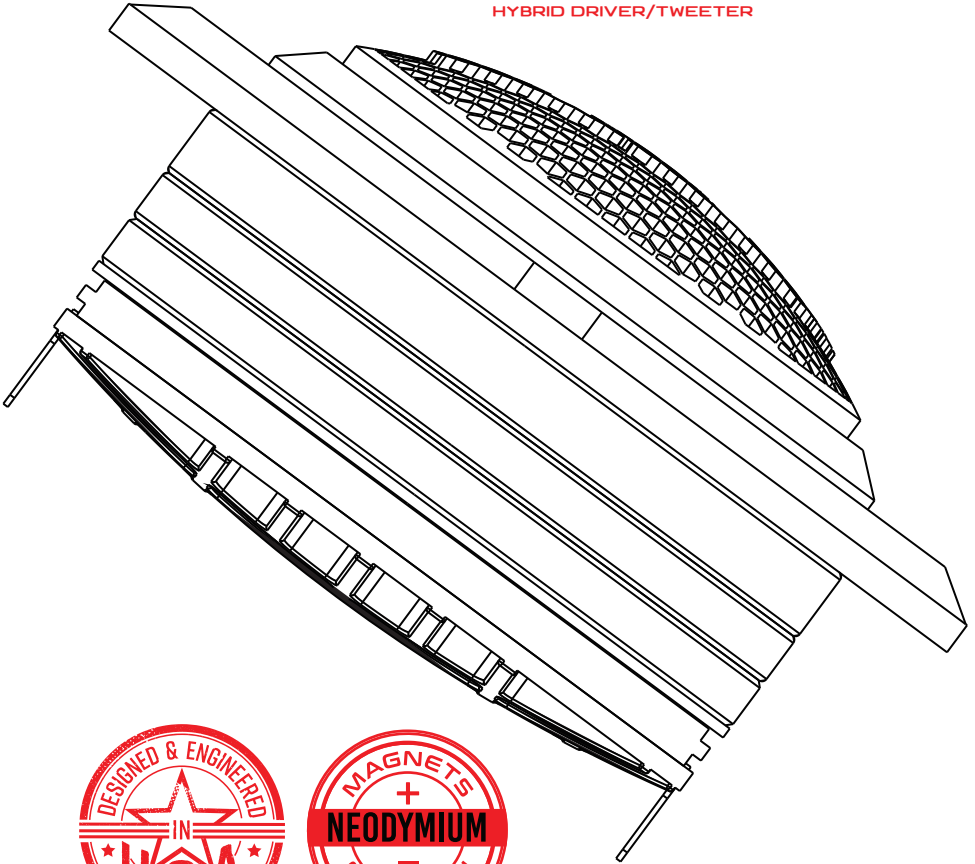


DS18[®]

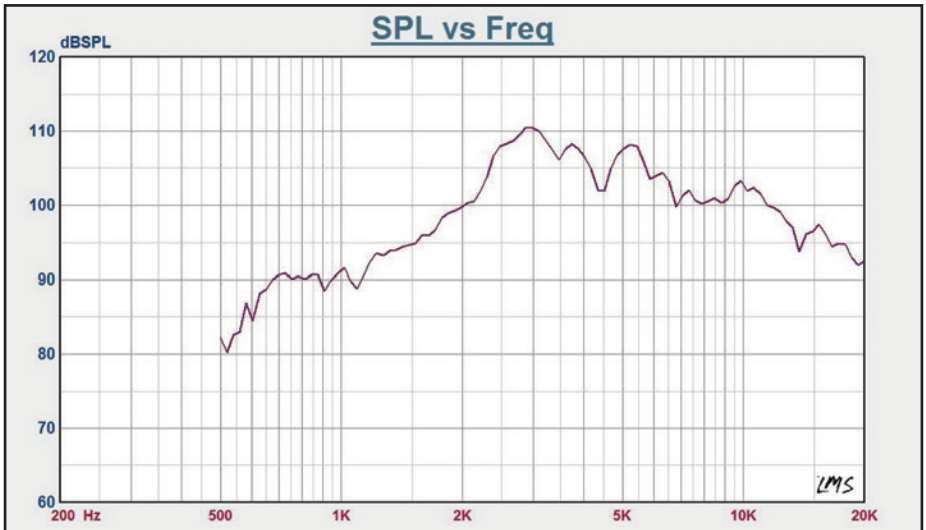
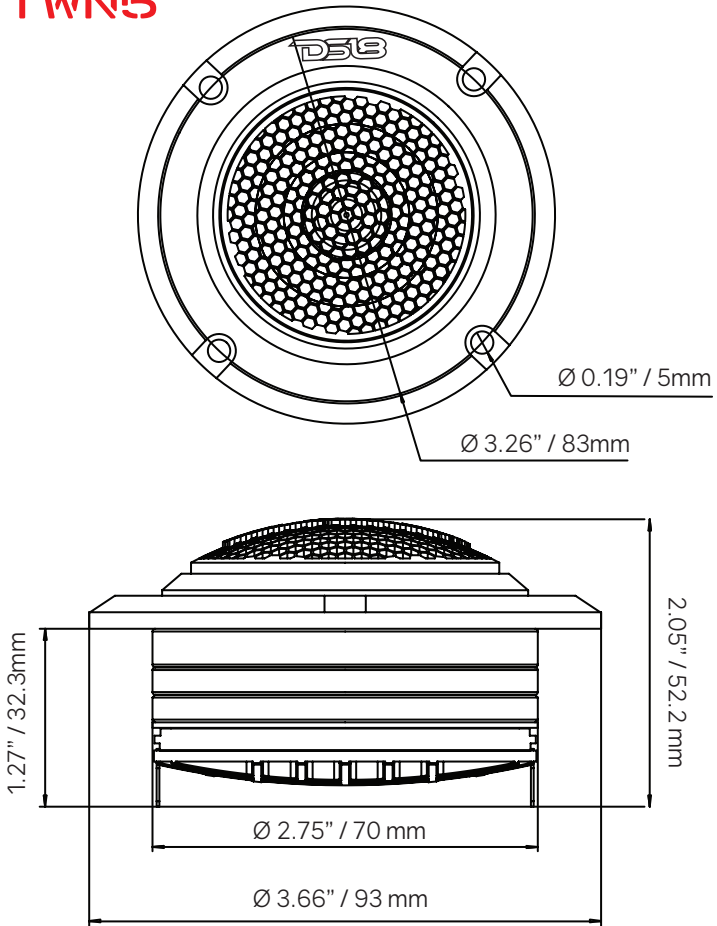
PRO

PRO-TWN5

1.5" VC PEN HIGH COMPRESSION NEODYMIUM
HYBRID DRIVER/TWEETER



PRO-TWN5



SPECIFICATIONS:

Nominal Diameter	3.64"
Nominal Impedance	4 ohms
Peak Power Handling.....	400 Watts
Program Power Handling	200 Watts
AES Power Handling.....	100 Watts
Sensitivity (1W/1W)	107dB
Frequency Response	1.5KHz-20KHz
Recommended Hi Pass Crossover	2KHz

MOTOR

Voice Coil Diameter.....	1.5" / 37.8mm
Voice Coil Former Material	KSV
Winding Material	CCAR
Diaphragm Material	PEN
Magnet Material.....	Neodymium
Magnet Size	2.75" x 0.2"
Body Material	CNC Aluminum
Bullet Material.....	Aluminum

MEASUREMENT

Overall Diameter	3.66" / 93mm
Overall Depth	2.05" / 52.2mm
Front Mount Baffle Cutout	2.75" / 70mm
Mounting Depth	1.27" / 32.3mm