

D518[®]

PRO

PRO-TW21

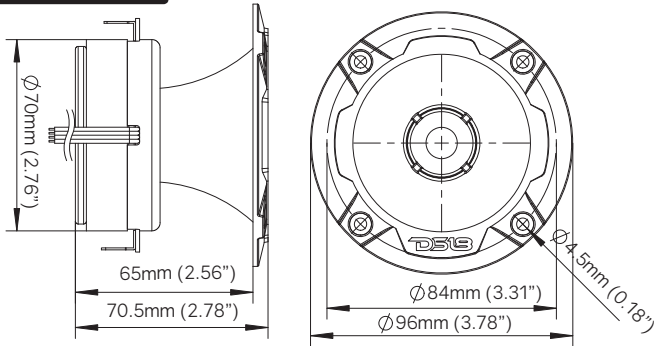
OWNER'S MANUAL

4 OHMS

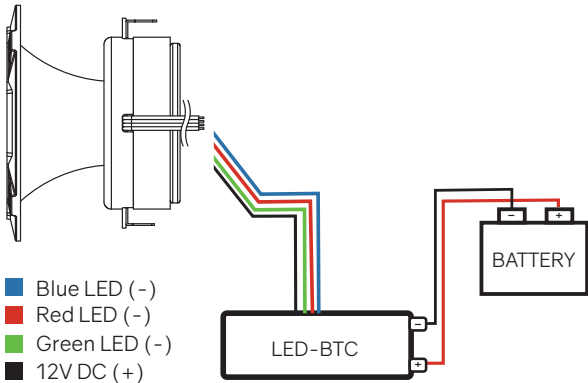
400W MAX

200W RMS



DIMENSIONS**INSTALLATION & CONNECTION OPTIONS:**

1



- 2 To connect without LED Control Module (LED-BTC),
Connect as Shown in the Following Diagram:

Black wire "BK" Connected to Battery Positive (+) 12V

White Color Light "R" ; "B" and "G" Connected to Battery Negative (-)

Green Color Light "G" Connected to Battery Negative (-)

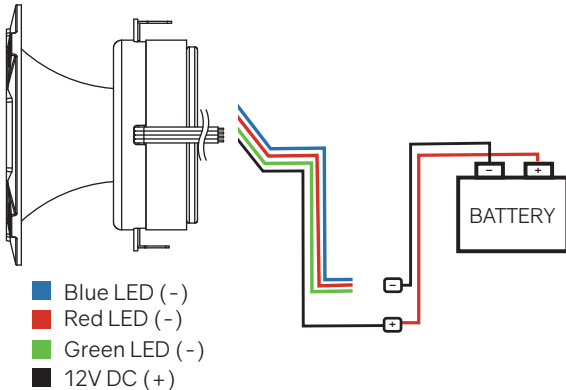
Red Color Light "R" Connected to Battery Negative (-)

Blue Color Light "B" Connected to Battery Negative (-)

Purple Color Light "R" and "B" Connected to Battery Negative (-)

Yellow Color Light "R" and "G" Connected to Battery Negative (-)

Cyan Color Light "B" and "G" Connected to Battery Negative (-)



PRO-TW2L



DS18 PRO



- ALUMINUM SUPER BULLET TWEETER
- TRANSPARENT POLYCARBONATE BODY AND BULLET
- FREQUENCY RESPONSE 3.5KHz-20KHz
- SURFACE RING BRUSHED SILVER FILM HOT STAMP
- CAPACITOR CROSSOVER INCLUDED
- 8 OZ Y30 FERRITE MAGNET
- ZINC PLATED TOP AND BACK PLATE
- 1" HIGH TEMPERATURE KAPTON VOICE COIL
- 1 METER RGB LED INPUT WIRE
- RGB LED BUILT IN BODY
- 200 WATTS RMS POWER
- 400 WATTS MAX POWER
- IMPEDANCE 4 OHMS
- SENSITIVITY 103.5 dB
- BT CONTROL MODULE APP (LED-BTC) FOR
MULTI-FUNCTION FOR RGB LED LIGHTING (SOLD SEPARATELY)



Buy quality car speakers in our online store.